

MATERIALS AND FINISHES

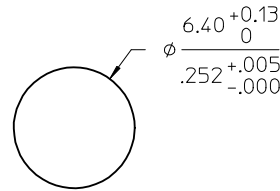
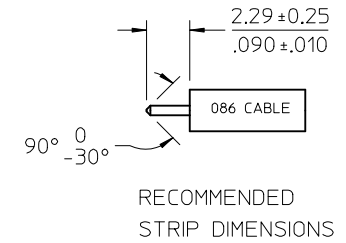
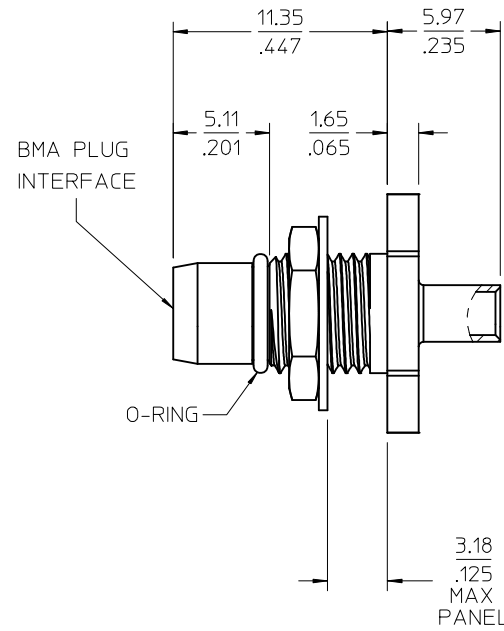
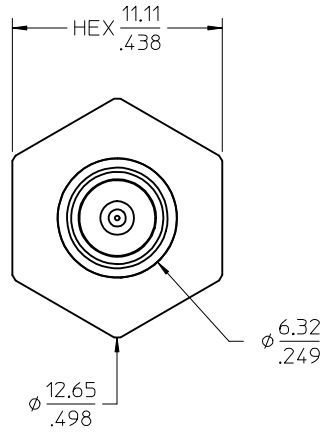
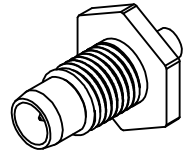
BODY, JAM NUT: STAINLESS STEEL  
PLATED GOLD

CONTACT: BERYLLIUM COPPER  
PLATED GOLD

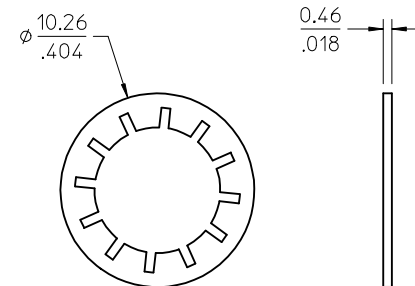
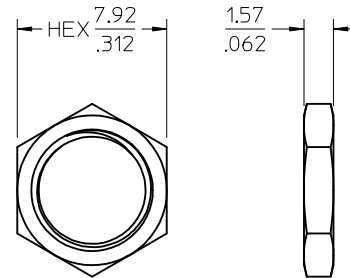
INSULATOR: TEFLON

O-RING: SILICONE RUBBER

LOCKWASHER: STAINLESS STEEL  
PLATED GOLD



RECOMMENDED  
PANEL CUTOUT



73298-0070	BAG
PART NO.	PACKAGING

PS-89675-1840	PRODUCT SPECIFICATIO
MIL-STD-348A, FIG.321.1	INTERFACE
SPECIFICATION	DESCRIPTION

CHG: ADD PACKAGING FOR 73298-0070 PER RF15-E220 EC NO: URF2015-0668 DRWR:YEH CHKD: APPR:YCHENG 2015/05/27 2015/05/29	QUALITY SYMBOLS	DESCRIPTION
	▽=0	
	▽=0	
	▽=0	
REV	A1	

GENERAL TOLERANCES (UNLESS SPECIFIED)	ANGULAR ± 2 °
4 PLACES ± --- ± ---	DRAFT WHERE APPLICABLE MUST REMAIN WITHIN DIMENSIONS
3 PLACES ± --- ± ---	
2 PLACES ± --- ± ---	
1 PLACE ± --- ± ---	
0 PLACE ± ±	

DIMENSION STYLE	MM/IN
DRAWN BY	DATE
JM	2006/08/09
CHECKED BY	DATE
JM	2006/08/09
APPROVED BY	DATE
JWIENER	2011/09/28
MATERIAL NO.	SEE TABLE
SIZE	C

SCALE	5:1
DESIGN UNITS	INCH
THIRD ANGLE PROJECTION	
TITLE	BMA PLUG STR BLKHD RM FOR 086 CABLE EWR-3175, BMA-PC
DOCUMENT NO.	SD-73298-007
SHEET NO.	1 OF 1
THIS DRAWING CONTAINS INFORMATION THAT IS PROPRIETARY TO MOLEX INCORPORATED AND SHOULD NOT BE USED WITHOUT WRITTEN PERMISSION	

MATERIALS AND FINISHES

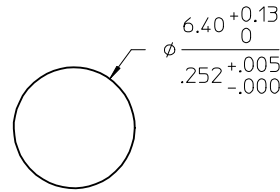
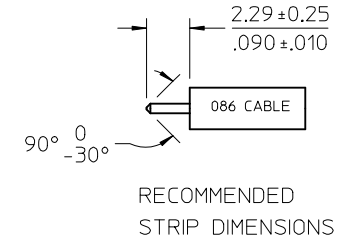
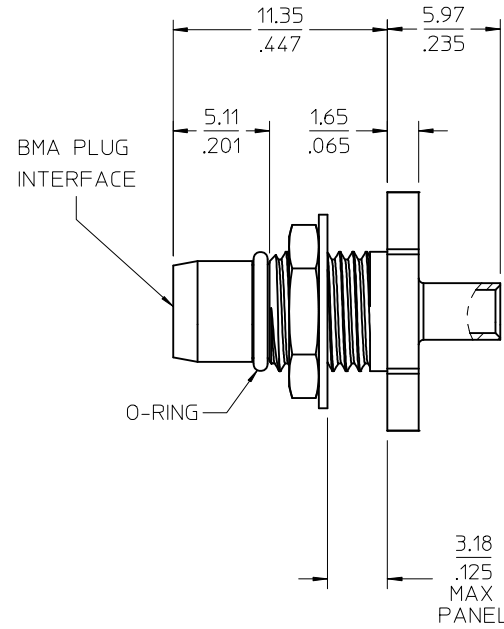
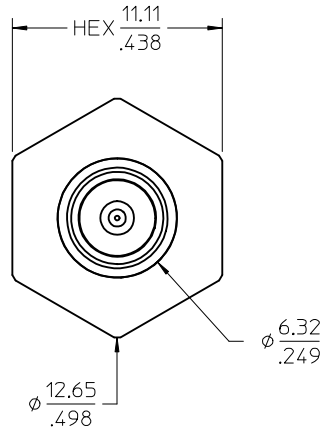
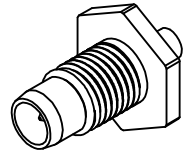
BODY, JAM NUT: STAINLESS STEEL  
PLATED GOLD

CONTACT: BERYLLIUM COPPER  
PLATED GOLD

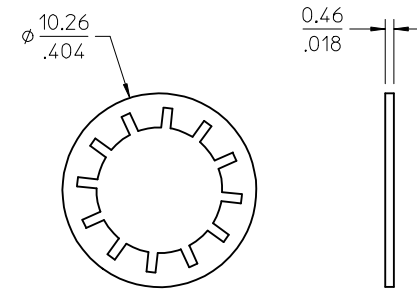
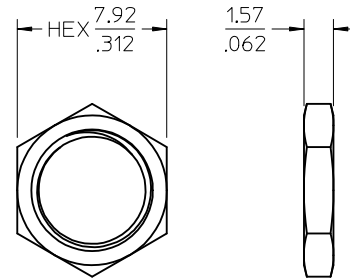
INSULATOR: TEFLON

O-RING: SILICONE RUBBER

LOCKWASHER: STAINLESS STEEL  
PLATED GOLD



RECOMMENDED  
PANEL CUTOUT



73298-0070	BAG
PART NO.	PACKAGING

PS-89675-1840	PRODUCT SPECIFICATIO
MIL-STD-348A, FIG.321.1	INTERFACE
SPECIFICATION	DESCRIPTION

CHG: ADD PACKAGING FOR 73298-0070 PER RF15-E220 EC NO: URF2015-0668 DRWR:YEH CHKD: APPR:YCHENG 2015/05/27 2015/05/29	QUALITY SYMBOLS	DESCRIPTION
	▽=0	DESCRIPTION
	▽=0	DESCRIPTION
	▽=0	DESCRIPTION
A1	REV	DESCRIPTION

GENERAL TOLERANCES (UNLESS SPECIFIED)	
mm	INCH
4 PLACES ± .005	± .0005
3 PLACES ± .005	± .0005
2 PLACES ± .005	± .0005
1 PLACE ± .005	± .0005
0 PLACE ±	±
ANGULAR ± 2 °	
DRAFT WHERE APPLICABLE MUST REMAIN WITHIN DIMENSIONS	

DIMENSION STYLE	
MM/IN	
DRAWN BY	DATE
JM	2006/08/09
CHECKED BY	DATE
JM	2006/08/09
APPROVED BY	DATE
JWIENER	2011/09/28
MATERIAL NO.	
SEE TABLE	
SIZE	C

SCALE	DESIGN UNITS	THIRD ANGLE PROJECTION
5:1	INCH	☉
TITLE		
BMA PLUG STR BLKHD RM FOR 086 CABLE EWR-3175, BMA-PC		
molex		
DOCUMENT NO.	SHEET NO.	
SD-73298-007	1 OF 1	
THIS DRAWING CONTAINS INFORMATION THAT IS PROPRIETARY TO MOLEX INCORPORATED AND SHOULD NOT BE USED WITHOUT WRITTEN PERMISSION		