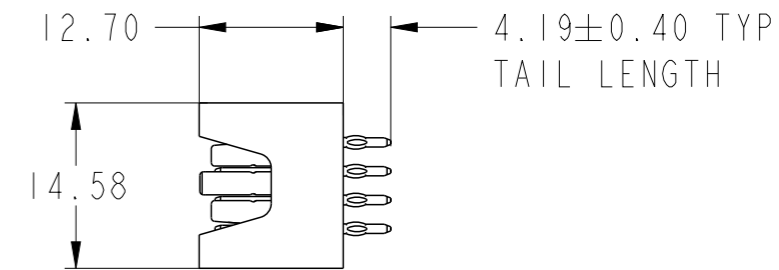
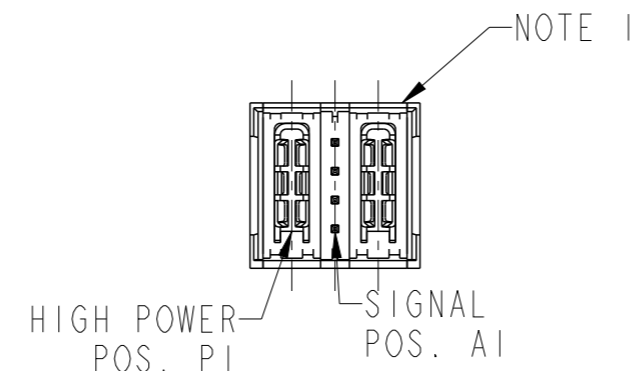
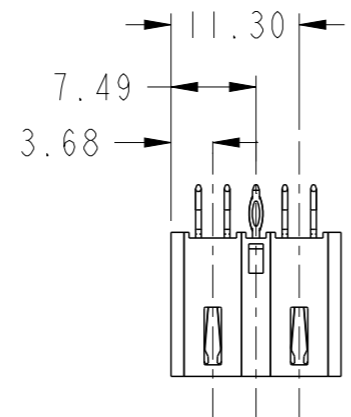
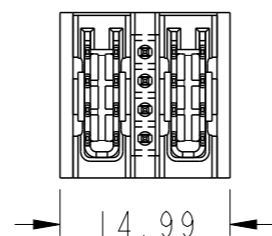


PART NUMBER SEE SHEET 2

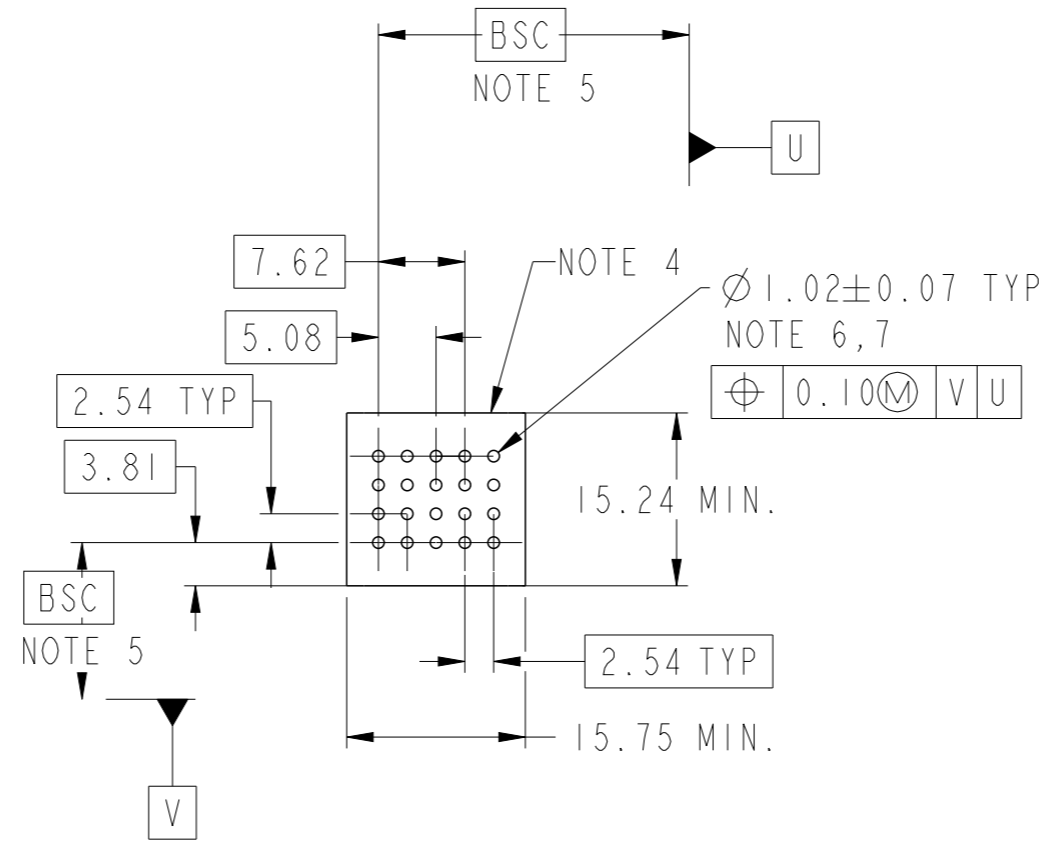


Copyright FCI.

spec ref	*	dr	Rainbow Zhan	2014/11/20	projection	MM	size	A3	scale	3:2												
tolerance std	ASME Y14.5	eng	Rainbow Zhan	2014/11/24			ecn no	-	rel level	Released												
TOLERANCES UNLESS OTHERWISE SPECIFIED		chr	Li-He	2014/11/24							product family	PwrBlade+										
surface	<table border="1"> <tr> <td>linear</td> <td>0.X</td> <td>±0.5</td> </tr> <tr> <td></td> <td>0.XX</td> <td>±0.25</td> </tr> <tr> <td></td> <td>0.XXX</td> <td>±0.10</td> </tr> <tr> <td>angular</td> <td>0°</td> <td>±2°</td> </tr> </table>	linear	0.X	±0.5		0.XX	±0.25		0.XXX	±0.10	angular	0°	±2°	appr	Pei-Ming Zheng	2014/11/24			title	IP + 4S + IP VERTICAL PF HEADER	cat. no.	Product - Customer Drw
linear	0.X	±0.5																				
	0.XX	±0.25																				
	0.XXX	±0.10																				
angular	0°	±2°																				
ASME Y14.5							dwg no	10106267-2001003	rev	A												
www.fci.com		Product - Customer Drw		sheet 1 of 3																		

PRODUCT NO.	ROWS	HP		SHP		
		E1	P1	1	P2	E2
10106267-2001003LF	D C B A					

CODE	DESCRIPTION
G	STD SIGNAL CONTACT
H4	STD HIGH POWER CONTACT
K	MLBF SIGNAL CONTACT



dr	Rainbow Zhan	2014/11/20	projection 	MM ←→	size	A3	scale	3:2			
eng	Rainbow Zhan	2014/11/24			ecn no	-					
chr	Li-He	2014/11/24			rel level	Released					
appr	Pei-Ming Zheng	2014/11/24	product family	PwrBlade+							
		title			IP + 4S + IP		dwg no		10106267-2001003	rev	A
www.fci.com		cat. no.			Product - Customer Drw			sheet 2 of 3			



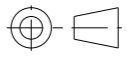
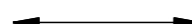

Copyright FCI.

NOTES:

- 1) "FCI", PART NUMBER AND DATE CODE TO BE MARKED ON THIS SURFACE.  
THE MARK CAN BE OMITTED IF THERE IS NOT ENOUGH SPACE ON THIS SURFACE.
- 2) MATERIALS:  
-HOUSING - GLASS FILLED WITH HIGH TEMP THERMOPLASTIC, UL94V-0.  
-SIGNAL CONTACT - COPPER ALLOY.  
-POWER CONTACT - HIGH CONDUCTIVITY COPPER ALLOY.
- 3) PLATING SPECIFICATION REFER TO FCI 10116351
- 4) DENOTES CONNECTOR KEEP OUT ZONE.
- 5) DATUM AND BASIC DIMENSIONS WERE ESTABLISHED BY CUSTOMER.
- 6) ALL HOLE DIAMETERS ARE FINISHED HOLE SIZES.
- 7)  $1.15 \pm 0.025$ MM DRILLED HOLE PLATED WITH 0.00762MM MIN Sn  
OVER 0.0254-0.0762MM Cu PLATING TO ACHIEVE A  $1.02 \pm 0.07$ MM HOLE.
- 8) PRODUCT SPECIFICATION REFER TO FCI GS-12-658.  
APPLICATION SPECIFICATION REFER TO FCI GS-20-141.  
PRODUCT PACKAGED IN TRAYS, REFER TO FCI GS-14-1502.



Copyright FCI.

dr	Rainbow Zhan	2014/11/20	projection 	MM 	size	A3	scale	3:2
eng	Rainbow Zhan	2014/11/24			ecn no	-		
chr	Li-He	2014/11/24			rel level	Released		
appr	Pei-Ming Zheng	2014/11/24	product family	PwrBlade+				
		title IP + 4S + IP VERTICAL PF HEADER			dwg no 10106267-2001003	rev A		
www.fci.com		cat. no.	Product - Customer Drw		sheet 3 of 3			