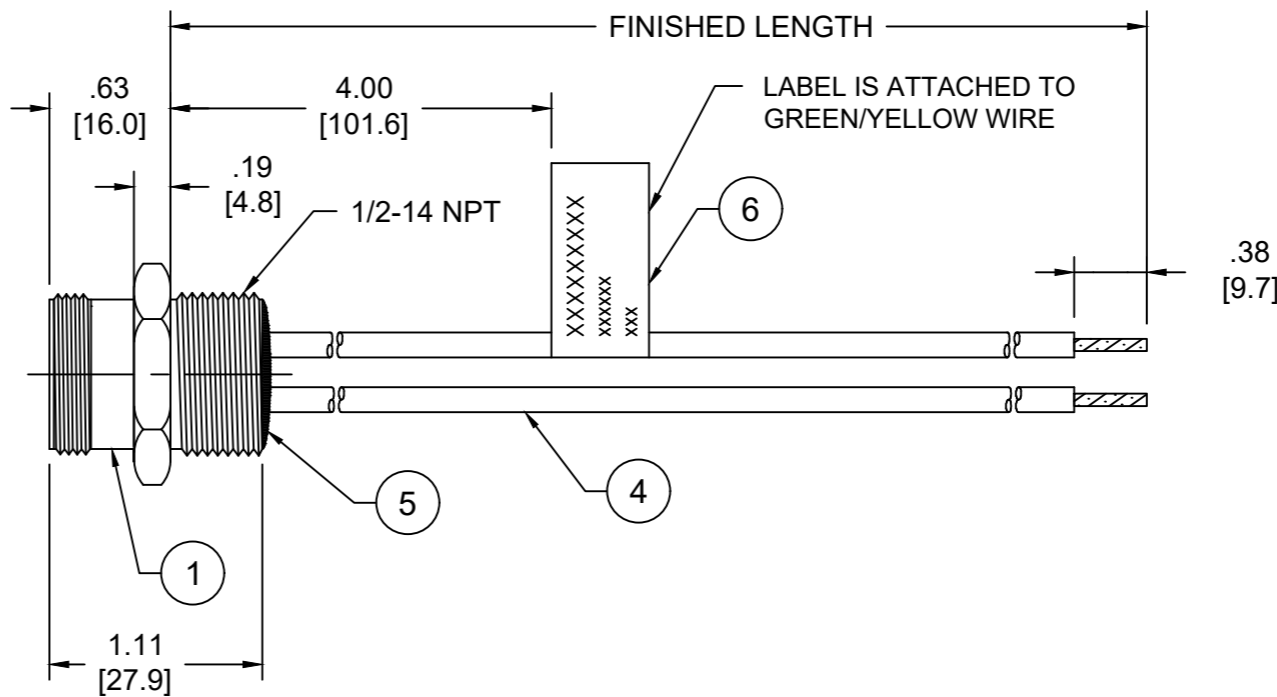
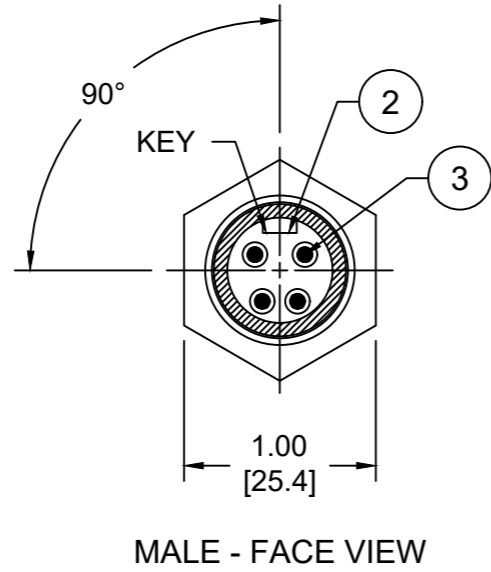
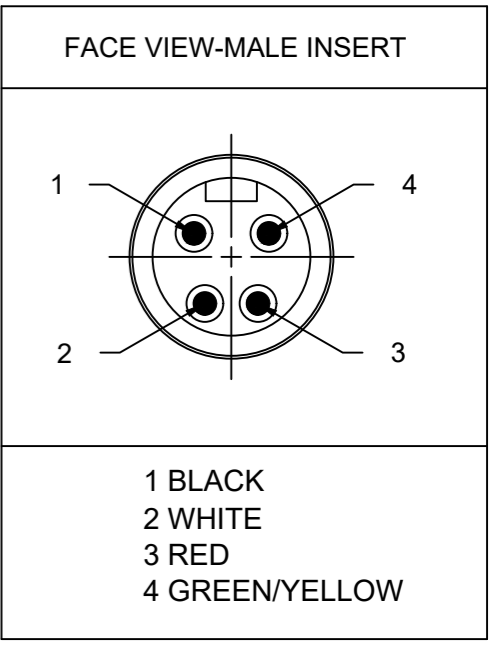
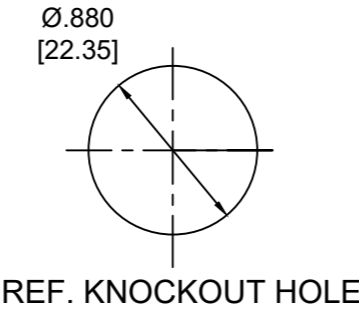


| PART NO    | ENGINEERING NO. | FINISHED LENGTH |
|------------|-----------------|-----------------|
| 1300130372 | 1R4006A28A060G  | 6IN [0.5 FT]    |
| 1300660088 | 1R4006A28F060G  | 6FT [1M 32 IN]  |
| 1300660095 | 1R4006A28M050G  | 5M [16 FT 5 IN] |



- NOTES:
- MATERIAL: AS NOTED
  - FINISH: AS NOTED
  - ELECTRICAL:  
VOLTAGE: 483V PER IEC60664  
600V PER UL2237  
CURRENT: 15A
  - TEMP RATING: -20°TO +105°C (C)
  - PROTECTION: IP67 (WHEN MATED)
  - COUPLING THREAD: 7/8-16UN
  - UL LISTED FILE: E258922
  - ALL DIMENSIONS ARE FOR REFERENCE UNLESS TOLERANCED OR NOTED OTHERWISE



PART NO. MATRIX  
1R4006A28A060G

FINISHED LENGTH:  
A060= 6 IN.  
F020= 2 FEET  
M005= 1 METER  
M100= 10 METER

CABLE LENGTH TOLERANCES

|                          |                         |
|--------------------------|-------------------------|
| <.3M [1FT]:              | +19mm-0 [+1.75in-0]     |
| .3 - .9M [1 - 3FT]:      | +44.5mm-0 [+1.75in-0]   |
| .9 - 1.8M [3 - 6FT]:     | +55.6mm-0 [+2.19in-0]   |
| 1.8 - 3.7M [6 - 12FT]:   | +88.9mm-0 [+3.50in-0]   |
| 3.7 - 7.3M [12 - 24FT]:  | +165.1mm-0 [+6.50in-0]  |
| 7.3-14.6M [24 - 48FT]:   | +317.5mm-0 [+12.50in-0] |
| 14.6 - 30.5M [48-100FT]: | +622.3mm-0 [+24.50in-0] |
| OVER 30M [100FT]         | +2% OF FINISHED LENGTH  |

| ITEM | DESCRIPTION           | MATERIAL       | FINISH           |
|------|-----------------------|----------------|------------------|
| 6    | FLAG LABEL            | VINYL          | BLACK/YELLOW     |
| 5    | POTTING MATERIAL      | EPOXY          |                  |
| 4    | WIRE, 14 AWG (UL1015) | PVC INSULATION | SEE FACE VIEW    |
| 3    | CONTACT PIN           | COPPER ALLOY   | GOLD OVER NICKEL |
| 2    | MALE INSERT           | TPE            | BLACK            |
| 1    | RECEPTACLE SHELL      | ZINC DIE-CAST  | BLACK            |

THIS DRAWING CONTAINS INFORMATION THAT IS PROPRIETARY TO MOLEX ELECTRONIC TECHNOLOGIES, LLC AND SHOULD NOT BE USED WITHOUT WRITTEN PERMISSION

|  |                                       |                 |   |
|--|---------------------------------------|-----------------|---|
| FUNCTIONAL SYMBOLS                                   | DIMENSION UNITS                       | SCALE           | CURRENT REV DESC: ITEM #2 WAS PVC. MODIFIED |
| $F=0$  | INCH/MM                               | NTS             | TEMP RATING & PN CHART                      |
| $E=0$  | GENERAL TOLERANCES (UNLESS SPECIFIED) |                 |   |
| $P=0$  | mm                                    | INCH            |   |
| DIVISIONAL SYMBOLS                                   | 4 PLACES                              | ±----           | ±----                                       |
|  | 3 PLACES                              | ±----           | ±----                                       |
|  | 2 PLACES                              | ±----           | ±----                                       |
|  | 1 PLACE                               | ±----           | ±----                                       |
|  | 0 PLACES                              | ±----           | ±----                                       |
|  | ANGULAR TOL ± ---- °                  |                 |   |
| DRAFT WHERE APPLICABLE MUST REMAIN WITHIN DIMENSIONS | THIRD ANGLE PROJECTION                | DRAWING         | SERIES                                      |
|  |                                       | B-SIZE          | 130066                                      |
|  |                                       | MATERIAL NUMBER | CUSTOMER                                    |
|  |                                       | SEE CHART       | GENERAL MARKET                              |
|  |                                       | DOCUMENT NUMBER | DOC TYPE/DOC PART/REVISION                  |
|  |                                       | SD-130066-080   | PSD 001 C                                   |
|  |                                       | SHEET NUMBER    | 1 OF 1                                      |