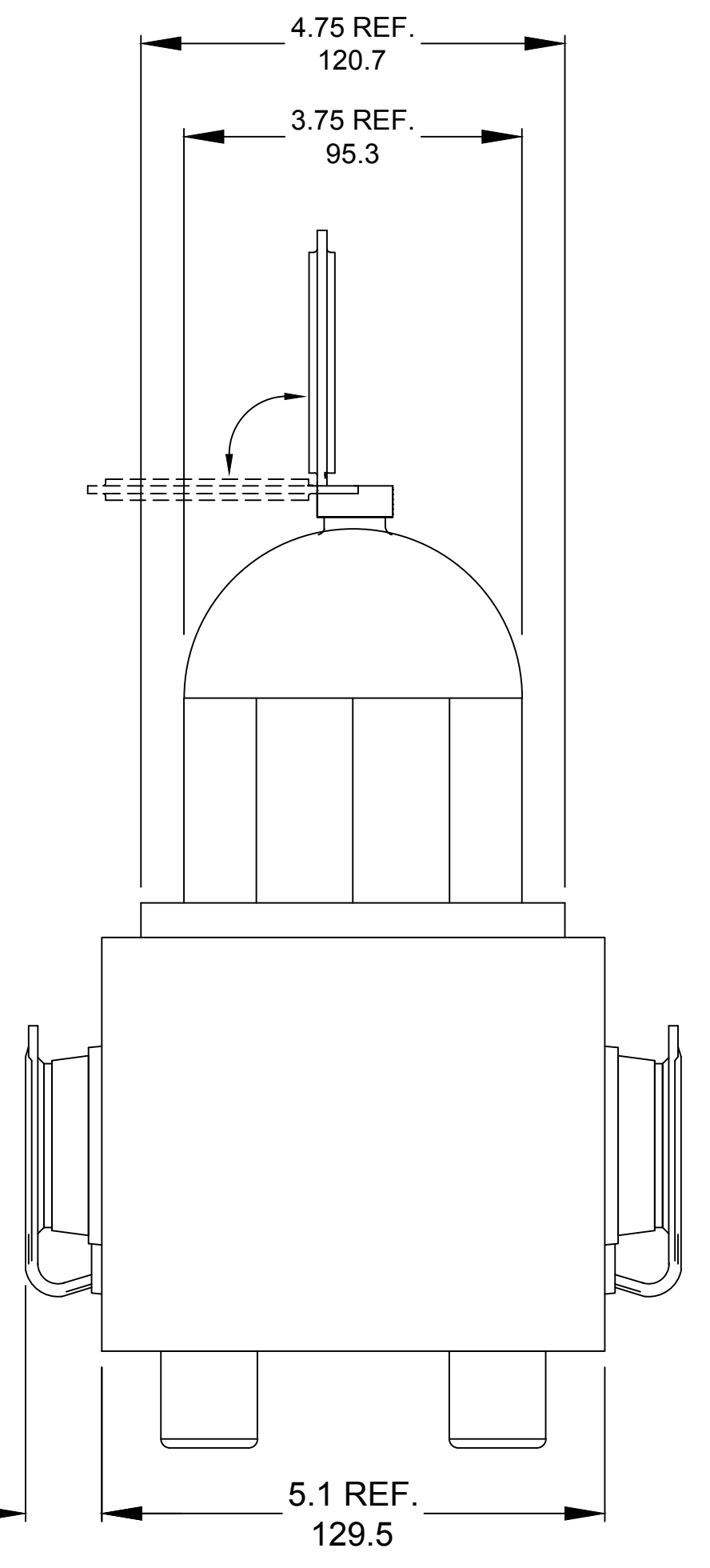
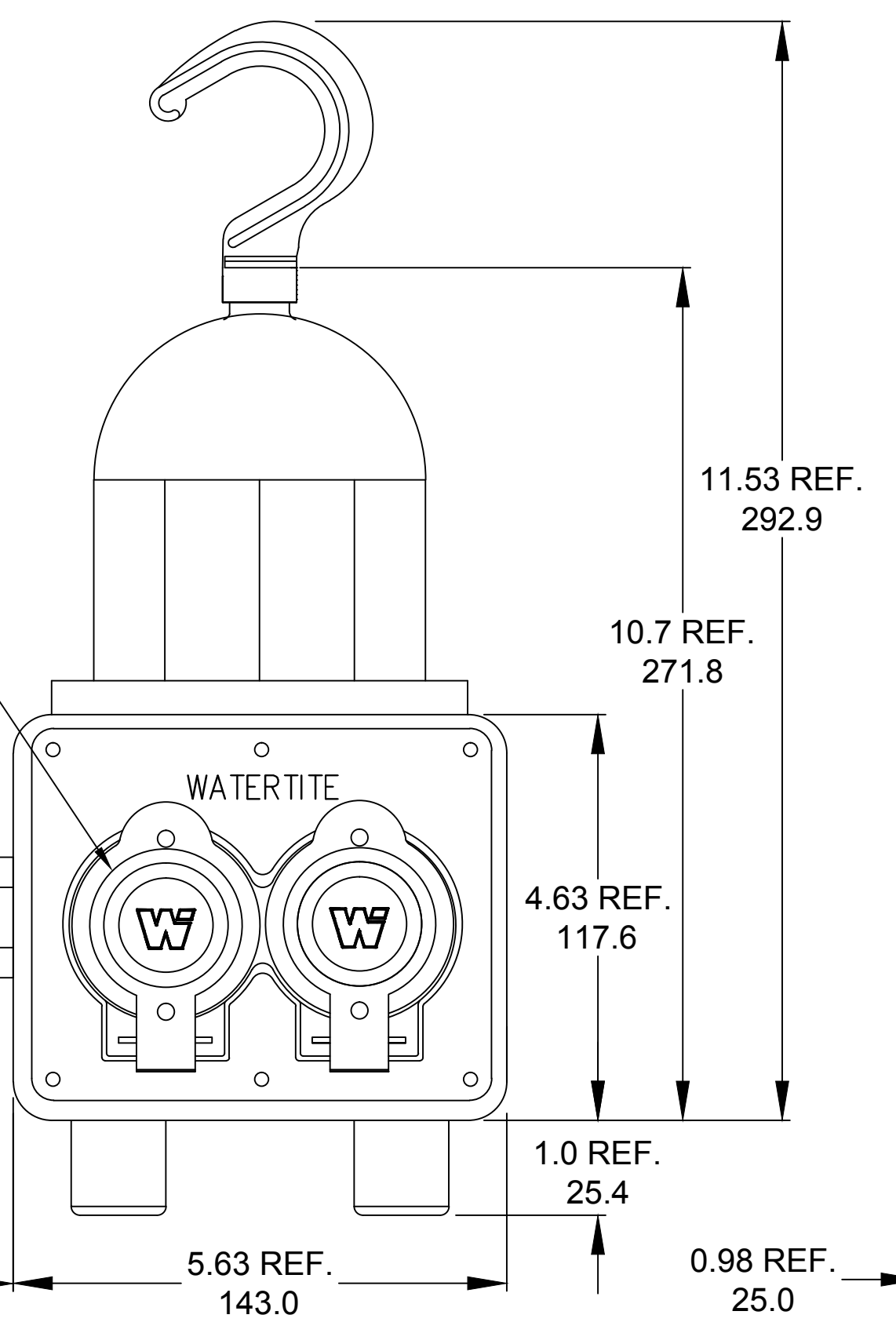
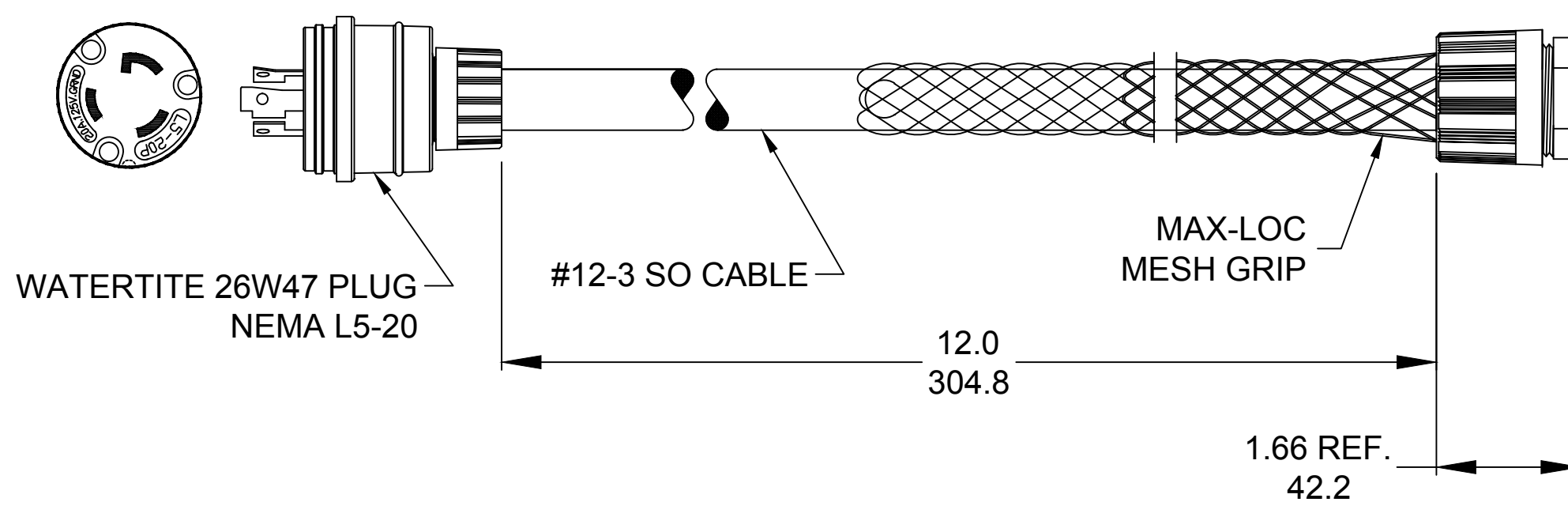


*RECEPTACLE CONFIGURATION
NEMA 5-20



RELEASE EC NO.: ICG2013-1447 DRWN: HRUIZ01 2013/03/14 CH'KD: HKNEELAN APPR: JFMURPHY 2013/04/22 REV A	QUALITY SYMBOL	$\nabla=0$ $\nabla C=0$
	DESCRIPTION	
	REV	

GENERAL TOLERANCES (UNLESS SPECIFIED)		DIMENSION STYLE INCH/MM		SCALE NTS	DESIGN UNITS INCH	THIRD ANGLE PROJECTION	
	mm	INCH	DRAWN BY	DATE	TITLE		
4 PLACES	±---	±---	HRUIZ01	2013/03/14	32W90 LIGHTED BOX 1FT. #12-3 SO CABLE (4)NEMA 5-20 & 26W47		
3 PLACES	±---	±.005	CHECKED BY	DATE			
2 PLACES	±.13	±.010	HKNEELAN	2013/03/15	MOLEX INCORPORATED		
1 PLACE	±.25	±.020	APPROVED BY	DATE			
ANGULAR ±1/2°		JFMURPHY		2013/04/22	DOCUMENT NO. SD-130135-047		
DRAFT WHERE APPLICABLE MUST REMAIN WITHIN DIMENSIONS		MATERIAL NO. 1301350393		SHEET NO. 1 OF 1			
		SIZE C		THIS DRAWING CONTAINS INFORMATION THAT IS PROPRIETARY TO MOLEX INCORPORATED AND SHOULD NOT BE USED WITHOUT WRITTEN PERMISSION			