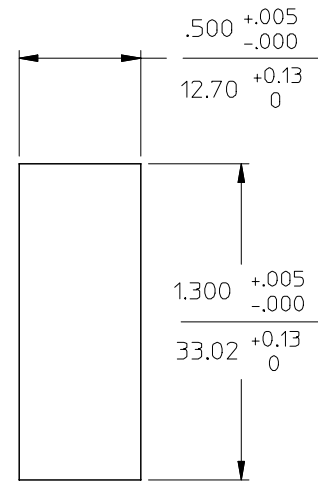
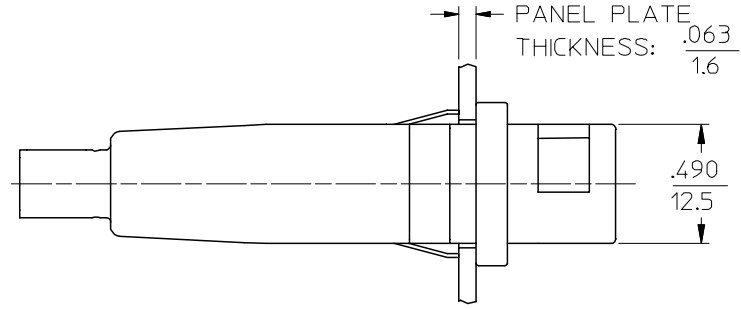
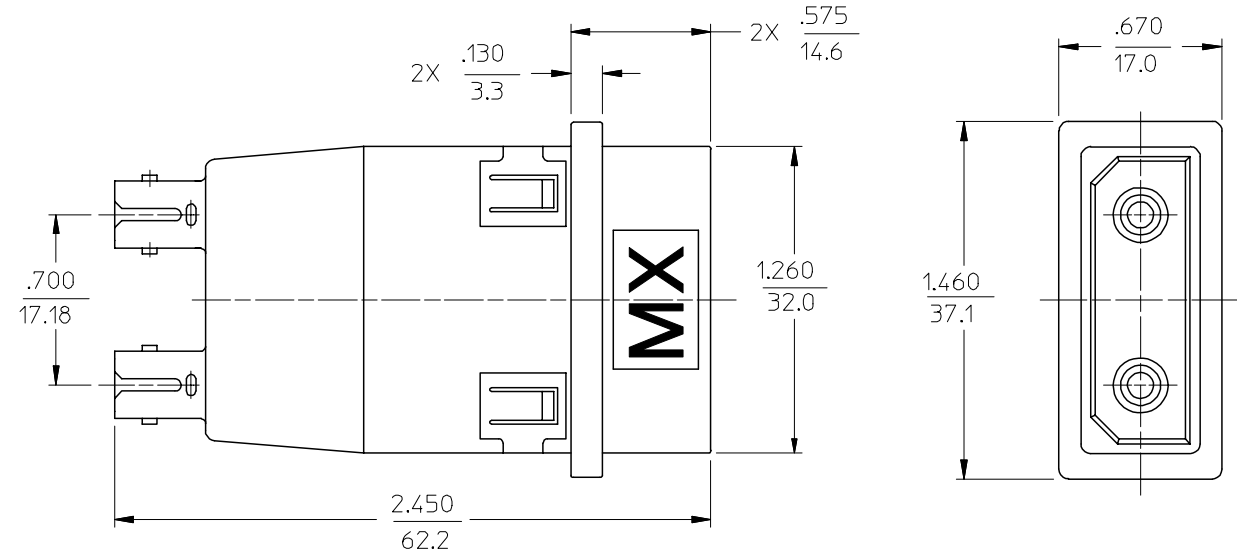


P/N of ADAPTER	MATERIAL of SLEEVE	COLOR of DUST CAP & DUST COVER
106140-0000	CERAMIC	BLACK
106143-0000	PLASTIC	RED



RECOMMENDED MOUNTING HOLE



ENTER DESCRIPTION	DESCRIPTION
EC NO: MF2006-0283	2005/11/28
DRW:PGIBLIN	2005/11/28
CHKD:	2005/11/28
APPR:IGUMIN	2005/11/28
REV	REV
A	

QUALITY SYMBOLS
▽=0
▽=0

GENERAL TOLERANCES (UNLESS SPECIFIED)	
mm	INCH
4 PLACES ±----	±----
3 PLACES ±----	±----
2 PLACES ±----	±----
1 PLACE ±----	±----
ANGULAR ±1/2°	
DRAFT WHERE APPLICABLE MUST REMAIN WITHIN DIMENSIONS	

DIMENSION STYLE	
IN/MM	
DRAWN BY	DATE
PGIBLIN	2005/10/26
CHECKED BY	DATE
APPROVED BY	DATE
MATERIAL NO.	DOCUMENT NO.
SEE TABLE	SD-10614X-0000
SIZE	
B	

SCALE	DESIGN UNITS	THIRD ANGLE PROJECTION
2:1	INCH	
TITLE		
ST-ESCON ADAPTER (SMALL FLANGE)		
MOLEX INCORPORATED		
DOCUMENT NO.		SHEET NO.
SD-10614X-0000		1 OF 01
THIS DRAWING CONTAINS INFORMATION THAT IS PROPRIETARY TO MOLEX INCORPORATED AND SHOULD NOT BE USED WITHOUT WRITTEN PERMISSION		