

CUSTOMER PRINT

PART NUMBER: W5Z85-XSG-P-3XX

NOTES:

1. ALL PARTS TO BE BULK PACKED UNLESS NOTED.
2. INSTA CLICK IN LINE CABLE ASSEMBLY IS SUPPLIED AS A KIT. CONTACTS (3-4), HEX SCREWS ARE ALL ASSEMBLED.
3. ALL DIMENSIONS ARE REFERENCED IN INCHES [MM], WITHIN ± 0.015 UNLESS NOTED.

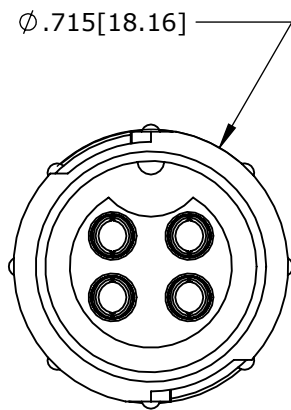
PART NUMBER SYSTEM  
**W5Z85-XPG-P-3XX**

SCREW TERMINAL CONTACT  
SIZE #14

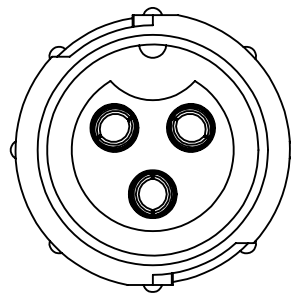
CONTACT POSITION  
[3 & 4]

GROMMET SIZE & CABLE OD RANGE (LARGER TO SMALLER)  
35 - .375 GROMMET I.D FOR CABLE OD .35-.40 [8.9 - 10.2]  
30- .312 GROMMET I.D FOR CABLE OD .30-.32 [7.6 - 8.1]  
28- .285 GROMMET I.D FOR CABLE OD .28-.29 [7.1 - 7.4]

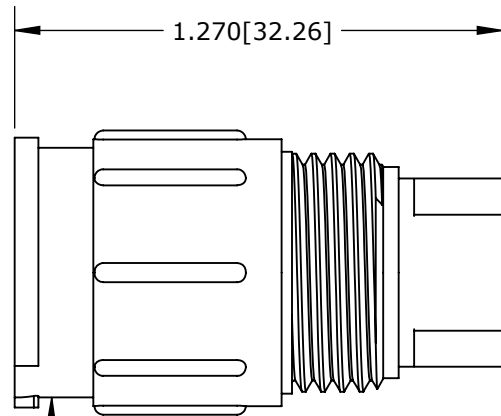
ASSEMBLY PART NUMBERS	CABLE OD RANGE
W5Z85-3SG-P-328	0.28 - 0.29
W5Z85-3SG-P-330	0.30 - 0.32
W5Z85-3SG-P-335	0.35 - 0.40
W5Z85-4SG-P-328	0.28 - 0.29
W5Z85-4SG-P-330	0.30 - 0.32
W5Z85-4SG-P-335	0.35 - 0.40



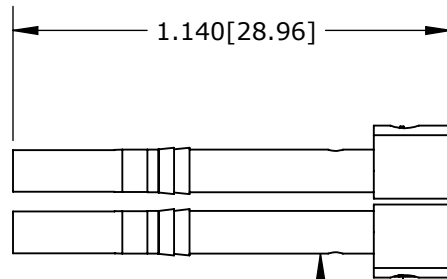
MATING FACE  
ASSY: 5Z85-4SG-P-3XX



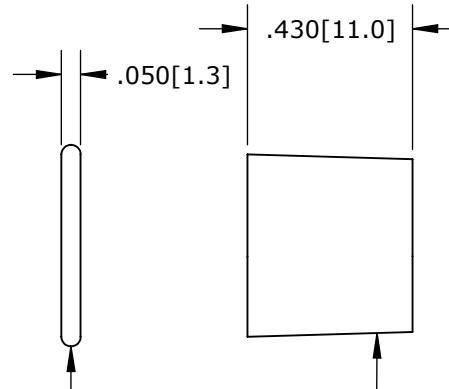
MATING FACE  
ASSY: 5Z85-3SG-P-3XX



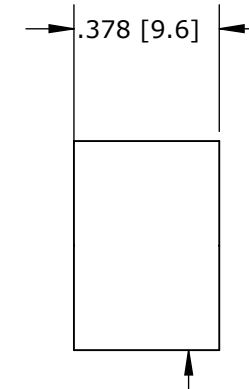
IN LINE CABLE CONN, FEMALE  
MATL: THERMOPLASTIC, BLACK



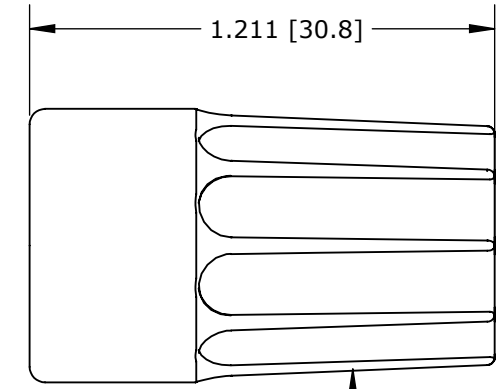
(3-4) #14 SOCKET CONTACTS  
(SHIPPED ASSEMBLED)  
MATL: COPPER ALLOY, GOLD PLATED



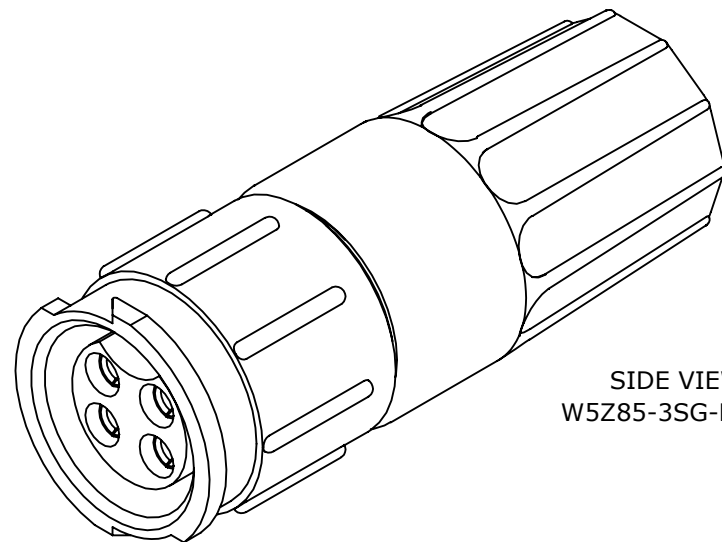
O-RING  
MATL: RUBBER, BLK



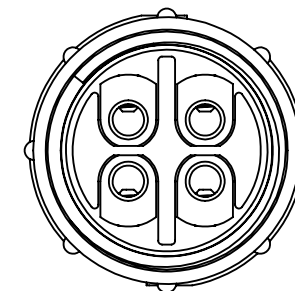
SLEEVE, LARGE  
MATL: THERMOPLASTIC BLACK



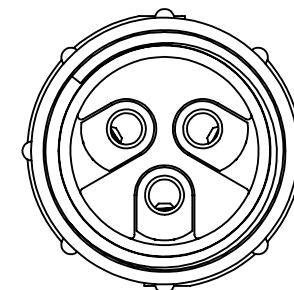
BACKSHELL  
MATL: THERMOPLASTIC, BLACK



SIDE VIEW  
W5Z85-3SG-P-3XX



WIRING END VIEW (4 POS)  
WITHOUT REAR END HARDWARE



WIRING END VIEW (4 POS)  
WITHOUT REAR END HARDWARE

CUSTOMER APPROVAL

THIS DOCUMENT CONTAINS CONFIDENTIAL INFORMATION PROPRIETARY TO CONXALL CORPORATION. ANY REPRODUCTION, DISCLOSURE, OR USE OF THIS DOCUMENT /INFORMATION IS EXPRESSLY PROHIBITED UNLESS AUTHORIZED IN WRITING BY CONXALL CORPORATION.

APPROVED BY: \_\_\_\_\_  
DATE: \_\_\_\_\_

RoHS COMPLIANT

0A	AM	02/24/22	FIRST DRAWN
REV.	INIT.	DATE	DESCRIPTION
	AM	02/24/22	
<small>ALL INFORMATION ILLUSTRATED IS THE PROPERTY OF CONXALL CORPORATION. UNAUTHORIZED DUPLICATION OR DISTRIBUTION OF THIS DOCUMENT IS PROHIBITED.</small>			<p>601 E. WILDWOOD VILLA PARK, IL 60181</p>
<small>ALL UNITS ARE IN FEET, INCHES, FRACTION OF INCHES AND DECIMALS. UNLESS OTHERWISE SPECIFIED TOLERANCES: 3 PLACE DECIMALS ±.005 ANGLES ±1° FRACTIONS ±1/16</small>			
APPROVED BY:		TITLE: CABLE TO CABLE CONNECTOR (3 - 4) #14 PIN CONTACTS	
APPROVED BY:		MULTI CONX INSTA-CLICK SCREW TERMINAL STANDARD PRODUCT	
SCALE	SIZE	SHEET	CUSTOMER:
NTS	B	1 OF 1	STANDARD PRODUCT
FILE:	DIRECTORY:	PART NUMBER:	REV
FILE NAME	SLW	W5Z85-XSG-P-3XX	0A