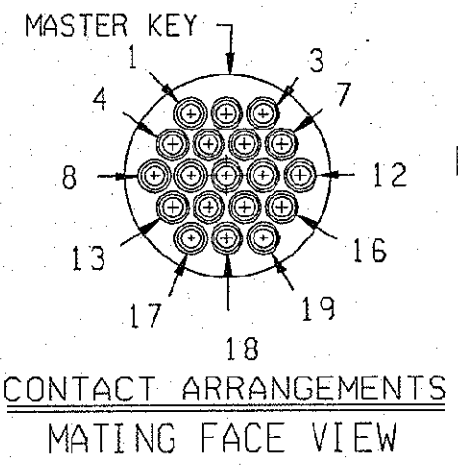
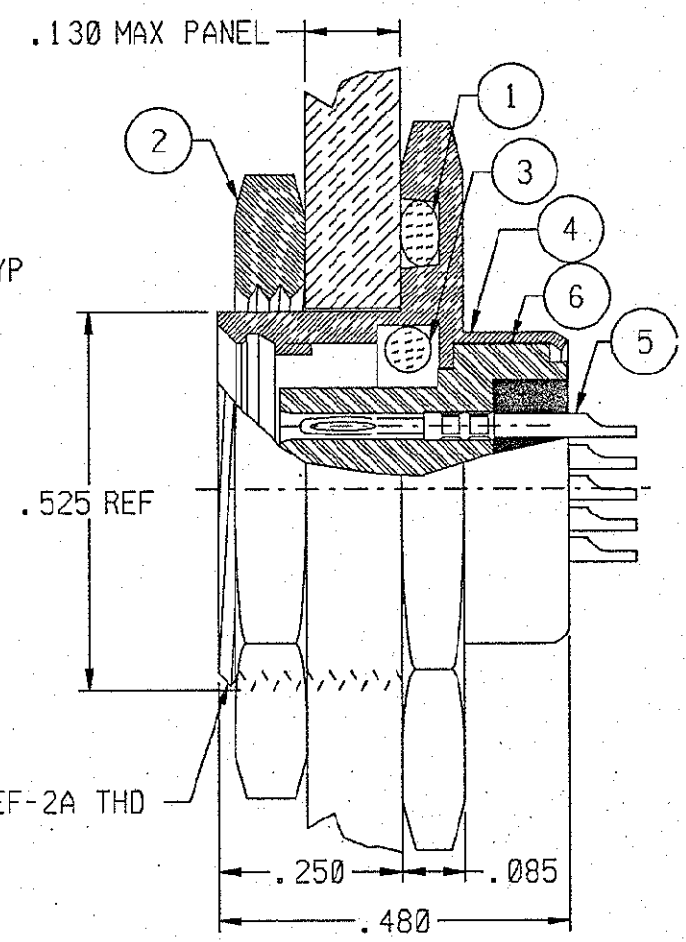
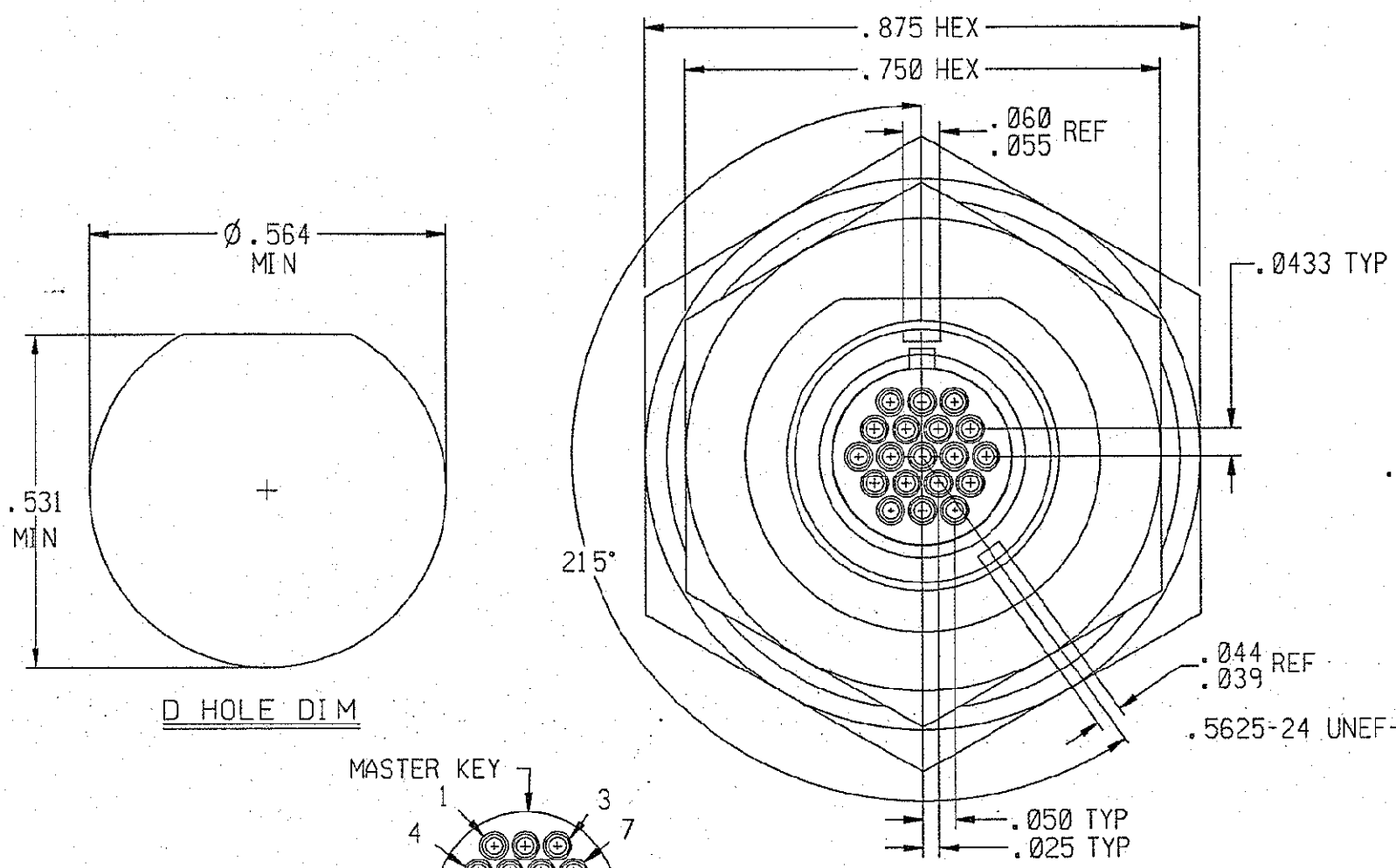


REVISION					
ZONE	LTR	ECN	DESCRIPTION	DATE	APPROVED
	B	39366	UPDATE REVISION LETTER.	7/14/99	[Signature]



PANEL NOT SHOWN ON THIS VIEW

QTY	PART NUMBER	DESCRIPTION	MATERIAL & FINISH	ITEM NO.
1	083-9144-0013	ISULATOR, EQR, 19 POS.	RYTON	6
19	096-0524-0101	SOLDER POT ASSY.	COPPER ALLOY, GOLD PLATED	5
1	083-9148-0026	RCPT, SHELL, EQR 19 POS	BRASS/ASTM B 16, NKL PLATED	4
1	083-9145-0003	'O' RING RCPT	SILICONE RUBBER	3
1	083-4155-0010	MOUNTING NUT	'BRASS/ASTM B 16, NKL PLATED	2
1	083-4145-0009	'O' RING MOUNTING	SILICONE RUBBER	1

PARTS LISTS

UNLESS OTHERWISE SPECIFIED DIMENSIONS ARE IN INCHES. TOLERANCE ARE:

FRACTIONS	DECIMALS	ANGLES
± 1/8	.XX ± .01 .XXX ± .005	± 2°

APPROVALS	
SIGNATURE	DATE
DRAWN: HENNY G.	1-26-99
CHECKED:	
PRD. ENG. [Signature]	7/14/99
APPROVED:	

**M** MICRODOT CONNECTORS  
A DIVISION OF UNI-STAR INDUSTRIES INC.  
306 PASADENA AVE., SO. PASADENA, CA 91030

RCPT, REAR MOUNT, EQR, 19 POSITION  
SOLDER POT TERMINATION

FINISH: THIS DOCUMENT IS THE PROPERTY OF MICRODOT CONNECTORS, A DIVISION OF UNI-STAR INDUSTRIES INC. USE OF THIS DOCUMENT OR ANY PART THEREOF IS STRICTLY FORBIDDEN WITHOUT THE EXPRESS WRITTEN PERMISSION OF MICRODOT CONNECTORS, A DIVISION OF UNI-STAR INDUSTRIES INC.

SIZE	CODE IDENT NO.	DRAWING NO.
B	98278	629-9019-0002
SCALE: NONE	SHEET 1 OF 1	

NOTES: UNLESS OTHERWISE SPECIFIED