

4

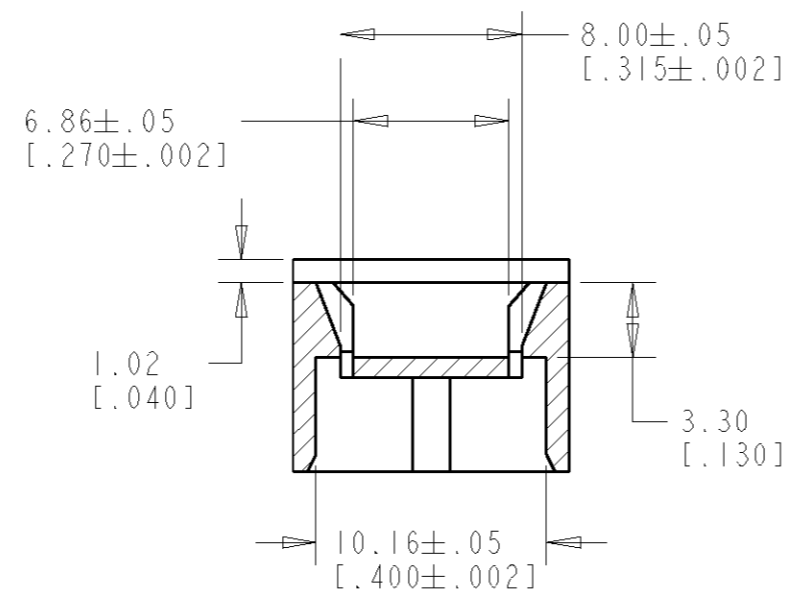
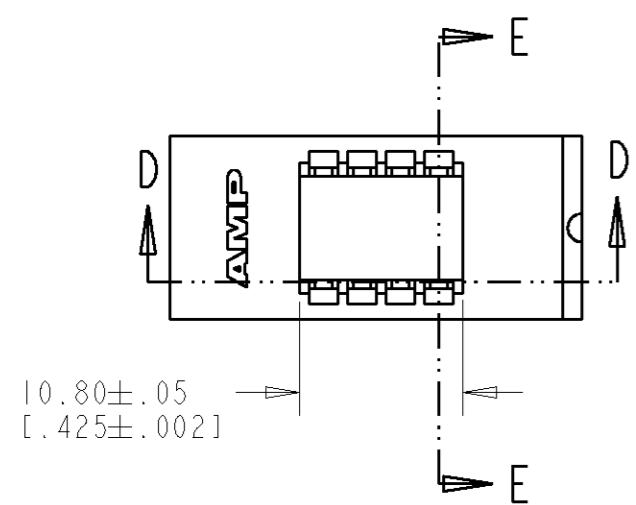
3

2

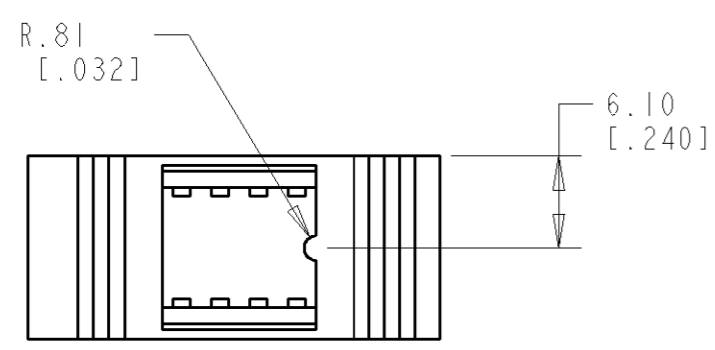
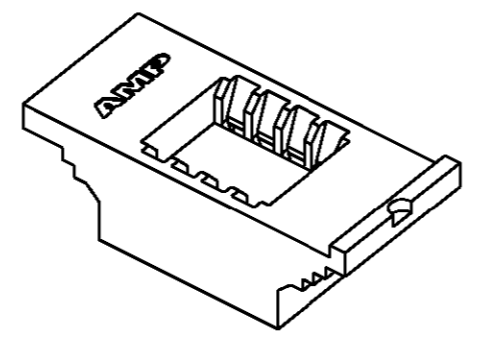
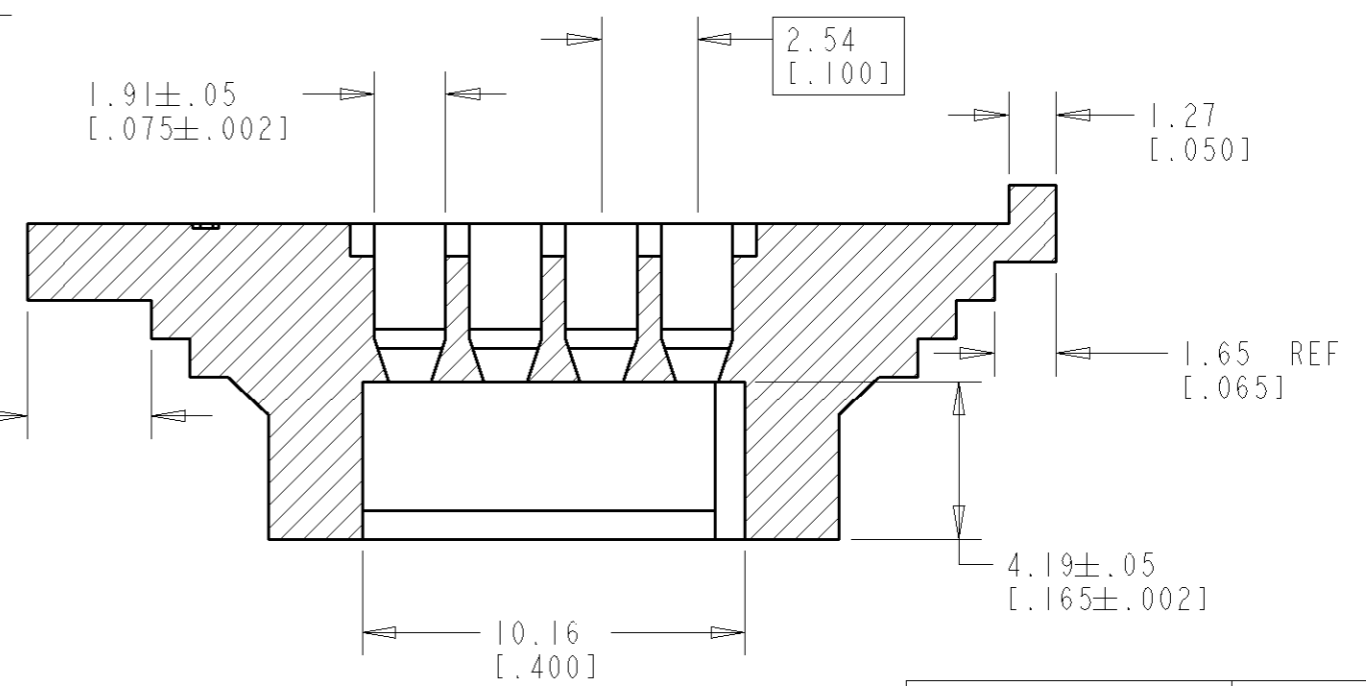
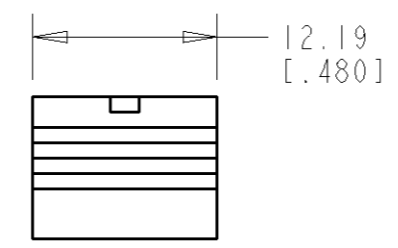
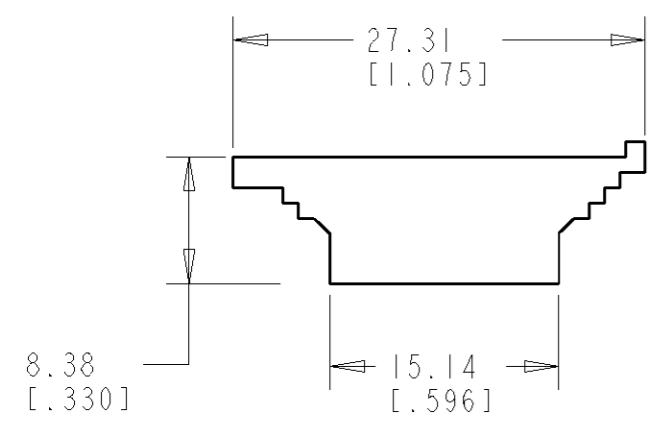
1

THIS DRAWING IS UNPUBLISHED. RELEASED FOR PUBLICATION .19
 © COPYRIGHT 19 BY AMP INCORPORATED. ALL RIGHTS RESERVED.

LOC	DIST	REVISIONS			
P	LTR	DESCRIPTION	DATE	DWN	APVD
FT	61	A	REV PER OG3C-0001-01	15JAN01	RB KW
		B	REV PER OG3C-0024-02	23APR02	RB JO



- DIP CARRIER TO BE ADHESIVELY BONDED TO CARRIER BY CUSTOMER.
- MATERIAL: 30% GLASS-FILLED PBT.
- DESIGNED FOR FORMED LEADER DIPS ONLY.



8	390280-1
NO. OF POSITIONS	PART NUMBER

THIS DRAWING IS A CONTROLLED DOCUMENT FOR AMP INCORPORATED. IT IS SUBJECT TO CHANGE AND THE CONTROLLING ENGINEERING ORGANIZATION SHOULD BE CONTACTED FOR THE LATEST REVISION.		DWN L.A. McEACHIN 06MAY99	AMP AMP Incorporated Harrisburg, PA 17105-3608
DIMENSIONS: mm [INCHES]		CHK G.S. RIDGILL 06MAY99	
TOLERANCES UNLESS OTHERWISE SPECIFIED:		APVD G.S. RIDGILL 06MAY99	NAME PLASTIC CARRIER FOR 8 POSITION DUAL IN-LINE PACKAGE
0 PLC ± .1 1 PLC ± .02 2 PLC ± .005 3 PLC ± .0005 4 PLC ± .0005 ANGLES ±		PRODUCT SPEC -	
MATERIAL		APPLICATION SPEC -	SIZE A3
FINISH		WEIGHT -	CAGE CODE 00779
-		CUSTOMER DRAWING	DRAWING NO C-390280
-		SCALE 2:1	RESTRICTED TO -
-		SHEET 1	OF 1
-		REV B	