



**Mallory Sonalert Products, Inc.**

Part #:

**SCE028LD2CM4S**

**Sales Outline Drawing**

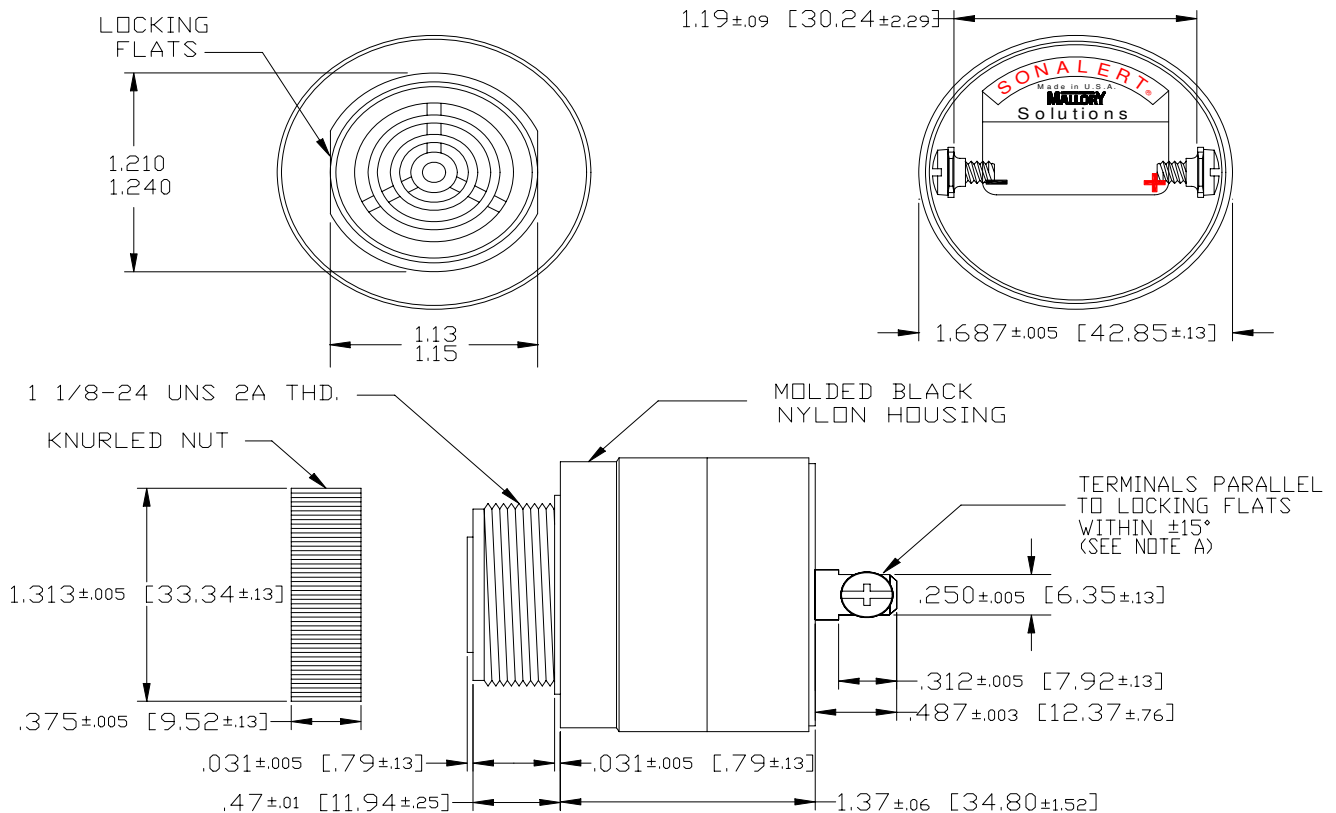
Revision:

**A**

**Specifications:**

|                       |  |
|-----------------------|--|
| Sound Level Category  | Loud   |
| Mode of Operation     | Single Chime for 1 Second  |
| Voltage Rating        | 16 to 28 VDC   |
| Frequency             | 2000 ± 500 Hz  |
| Loudness @ 2 FT       | 85 to 95 dB(A) Typ.  |
| Current Draw          | 40mA MAX   |
| Housing Material      | 6/6 Nylon, Color: Black  |
| Storage Temperature   | -40° to +85° C   |
| Operating Temperature | -40° to +85° C   |
| Panel Mounting        | Recommended hole size is 1.25"(31.75mm). Thread front will fit standard 30mm(1.181") hole. |
| Knurled Nut           | Used to attach part to panel. The max recommended torque is 10 in-lbs.                     |
| Weight (Typical)      | 2.1 oz (60g)   |
| NEMA 3R,4X, & 12      | Approved with use of ACC03.  |
| cUL Recognition       | cUL Recognized   |
| Options               | Please contact factory.  |

**Dimensions:** Inches (mm) **cUL Recognized** **ROHS Compliant**



NOTE A: TERMINALS-.032 BRASS TIN PLATED, TAPPED FOR #6-32 SCREW. TWO #6-32 NICKEL PLATED BRASS SCREWS INCLUDED. WILL ACCEPT 1/4" QUICK CONNECT.

NOTE B: MOUNTING- REMOVE BLACK PLASTIC NUT AND INSERT THREADED FRONT THROUGH 1.25" HOLE PUNCHED IN PANEL, IF ORIENTATION IS NEEDED, NOTE LOCKING FLATS ON DRAWING. SCREW NUT BACK ON. DO NOT OVERTIGHTEN.