

4

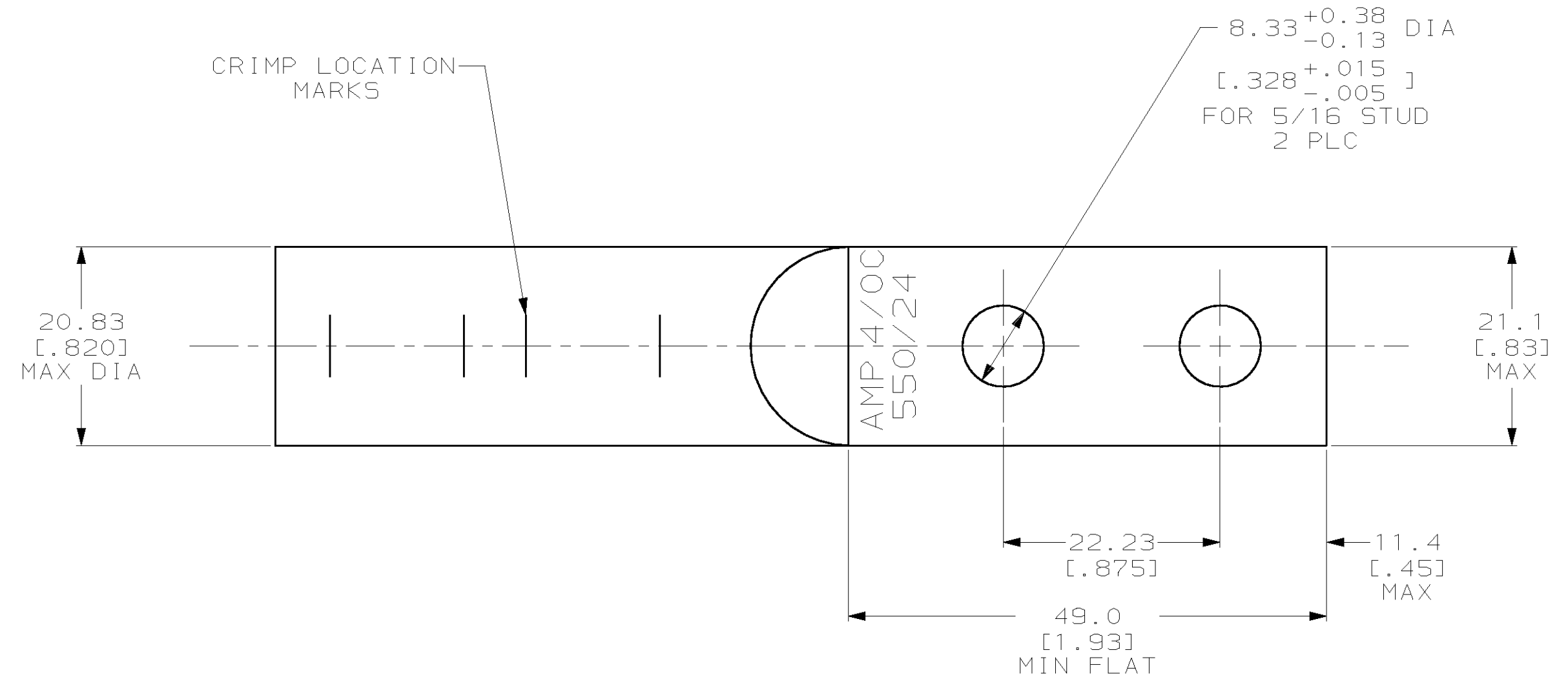
3

2

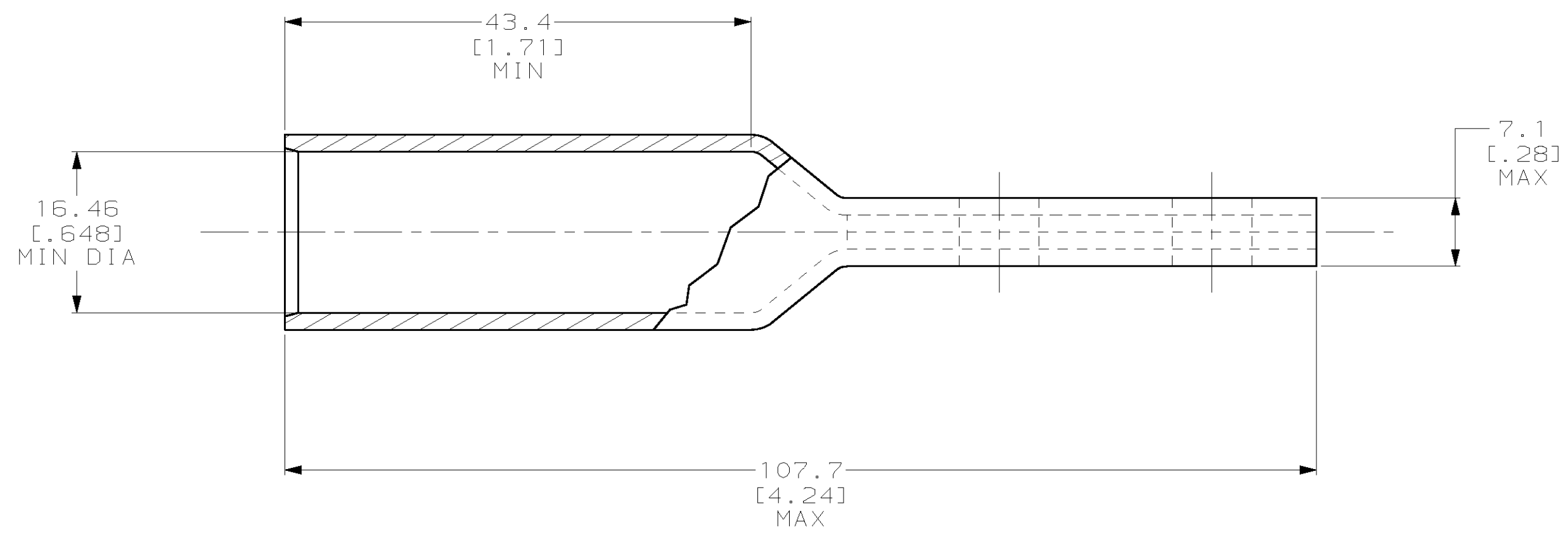
1

THIS DRAWING IS UNPUBLISHED. RELEASED FOR PUBLICATION
 (C) COPYRIGHT 19 BY AMP INCORPORATED. ALL RIGHTS RESERVED.

| LOC | | DIST | | REVISIONS | | | |
|-----|-----|-------------|----------------------|-----------|------|----|--|
| P | LTR | DESCRIPTION | DATE | DWN | APVD | | |
| G | 86 | C | REV PER 063A-0561-01 | 070CT02 | JR | MS | |



1 CIRCULAR MIL RANGE: 100.0mm² [190,000] TO
 125.0mm² [231,000] CIR MILS



277143-1
 AMP
 PART NUMBER

| | | | |
|--|--|-------------------------------|--|
| <small>THIS DRAWING IS A CONTROLLED DOCUMENT FOR AMP INCORPORATED. IT IS SUBJECT TO CHANGE AND THE CONTROLLING ENGINEERING ORGANIZATION SHOULD BE CONTACTED FOR THE LATEST REVISION.</small> | | DWN DK SCHRUM 14AUG96 | AMP Incorporated Harrisburg, PA 17105-3608 |
| DIMENSIONS: mm [INCHES] | | CHK WJ VOCKROTH 15AUG96 | |
| | | APVD JL MECKLEY 15AUG96 | NAME TERMINAL, CENTER LINE, AMPOWER, WIRE SIZE: 4/0 AWG |
| TOLERANCES UNLESS OTHERWISE SPECIFIED: 0 PLC ±- 1 PLC ±- 2 PLC ±0.51 [.020] 3 PLC ±0.13 [.005] 4 PLC ±- ANGLES ±- | | PRODUCT SPEC - | SIZE A2 |
| MATERIAL COPPER PER ASTM B-75 ANNEALED | | APPLICATION SPEC - | CAGE CODE 00779 |
| FINISH TIN PLATE 0.00381 [.000150] MIN THK PER MIL-T-10727 | | WEIGHT - | DRAWING NO C-277143 |
| CUSTOMER DRAWING | | | SCALE 2:1 |
| | | | SHEET 1 OF 1 |
| | | | REV C |

277143