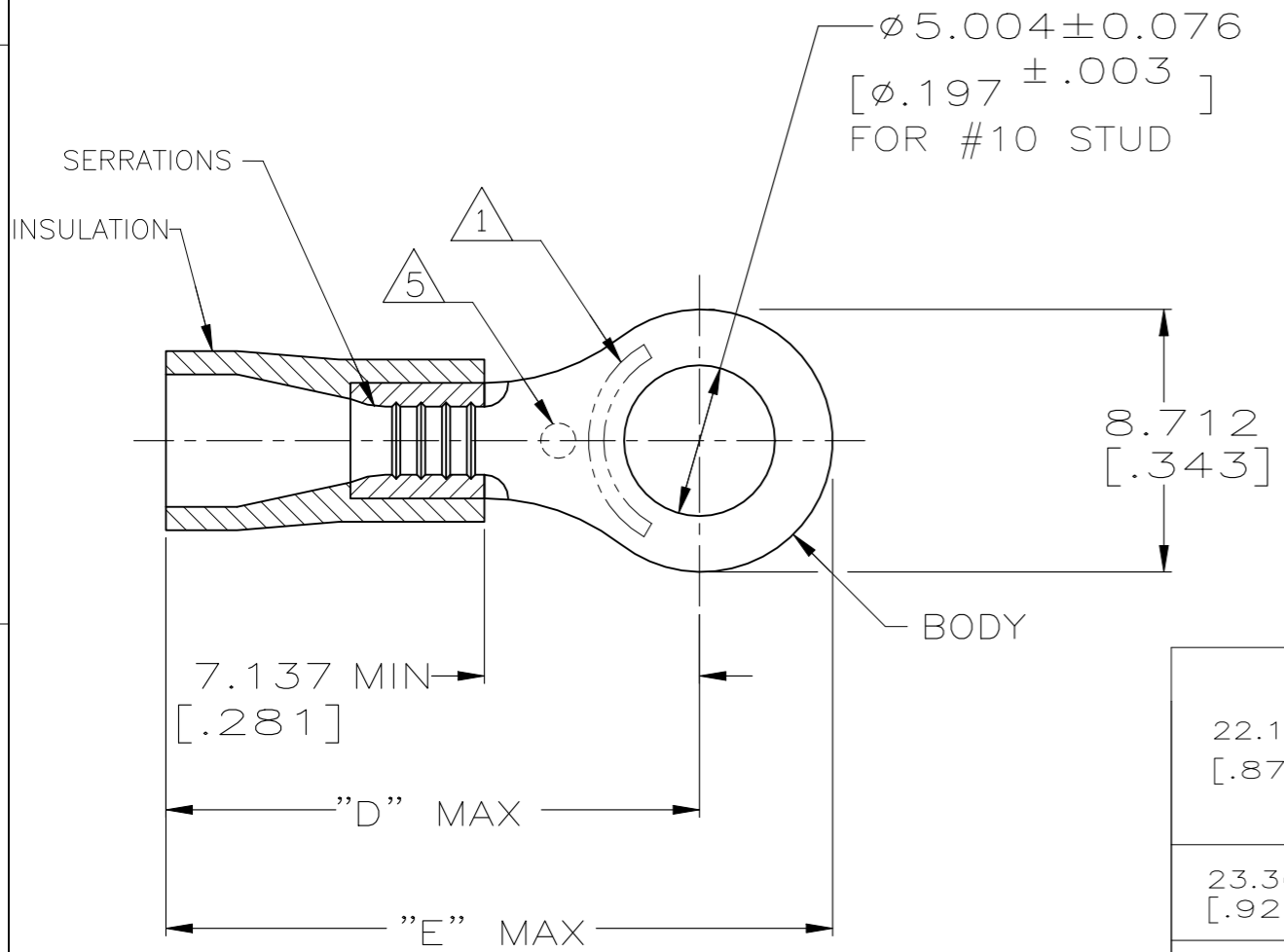


© - TE Connectivity. All Rights Reserved.

REVISIONS				
P	LTR	DESCRIPTION	DATE	APVD
T		REVISED PER ECR-22-152397	07OCT2022	BB DSC

AMP WIRE RANGE	Listed FILE E13288	LR7189 Certified
16-14 AWG SOLID OR STRANDED	16-14 AWG SOLID OR STRANDED	16-14 AWG SOLID OR STRANDED



- 1 STAMP AMP 16-14* APPROX AS SHOWN
- 2 BODY MATERIAL THK: 0.787 ± 0.051 $[\ .031 \pm .002]$
- 3 MATERIAL:
BODY - COPPER PER ASTM B152
INSULATION - PVC
- 4 FINISH:
BODY - TIN PLATE 0.00254 $[\ .000100]$
MIN EXT THK PER ASTM B545
INSULATION COLOR - BLUE
- 5 "O" STAMP MARK OPTIONAL

22.123 [.871]	17.704 [.697]	2.997-4.902 [.118-.193]	100	LOOSE PC, BOX	8-34161-1
23.368 [.920]	18.948 [.746]	3.810-6.350 [.150-.250]	5000	ON TAPE, REEL	2-34161-3
			1000	LOOSE PIECE	2-34161-2
22.123 [.871]	17.704 [.697]	2.997-4.902 [.118-.193]	5000	ON TAPE, REEL	2-34161-1
			1000	LOOSE PIECE	34161
"E"	"D"	WIRE INSULATION DIA	QTY	PACKAGE TYPE	PART NUMBER

AMP INCORPORATED
CUSTOMER SERVICE SYSTEMS

FOR ADDITIONAL PRODUCT INFORMATION OR COPIES OF DRAWINGS AND TECHNICAL DOCUMENTS
PRODUCT INFORMATION CENTER
1-800-522-6752

FOR APPLICATION TOOLING INFORMATION
TOOLING ASSISTANCE CENTER
1-800-722-1111

FOR ORDER ENTRY
1-800-526-5142

MAX RECOMMENDED OPERATING TEMPERATURE:
105°C [221° F]

VOLTAGE RATING:
N/A

CIRCULAR MIL AREA:
1.04-2.62mm² [2,050-5,180]
SOLID OR STRANDED

THIS DRAWING IS A CONTROLLED DOCUMENT.

DIMENSIONS:
mm [INCHES]

TOLERANCES UNLESS OTHERWISE SPECIFIED:

0 PLC ± -
1 PLC ± -
2 PLC ± -
3 PLC ± 0.127[.005]
4 PLC ± -
ANGLES ± -

MATERIAL

DWN DK SCHRUM 08/06/92
CHK RE HERSEY 11/10/92
APVD M ELLIS 11/10/92
PRODUCT SPEC
UL 486A-B
APPLICATION SPEC
114-2161
WEIGHT -

STE TE Connectivity

NAME
TERMINAL, RING TONGUE,
PLASTI-GRIP,
WIRE SIZE: 16-14 AWG

SIZE CAGE CODE DRAWING NO RESTRICTED TO
A3 00779 C-34161 -

CUSTOMER DRAWING SCALE 4:1 SHEET 1 OF 1 REV T