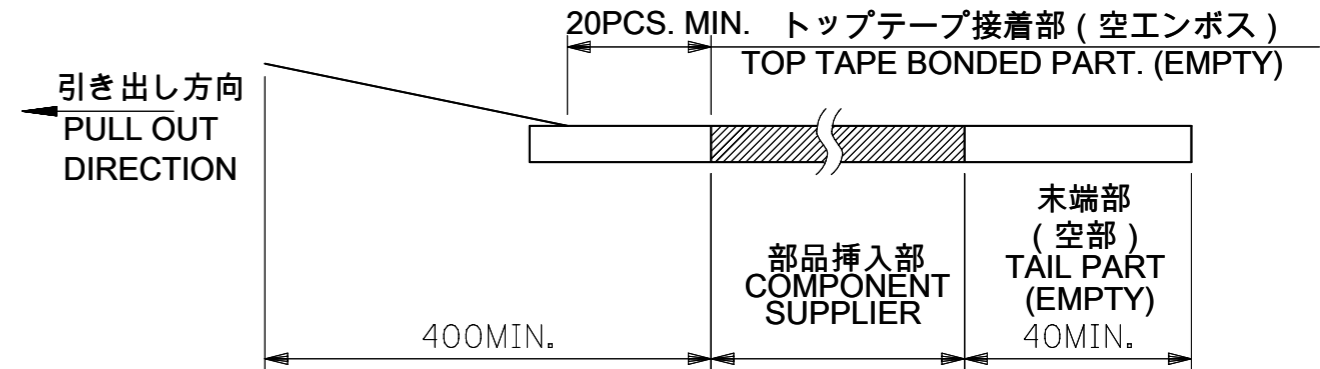


注記 NOTES

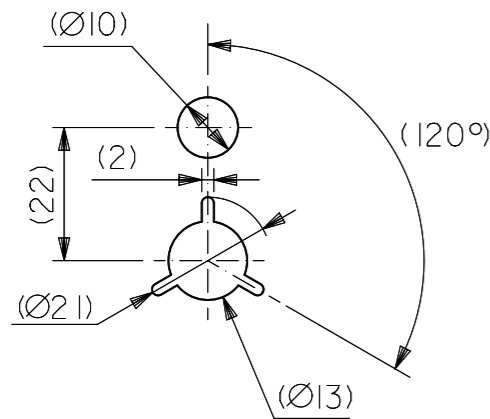
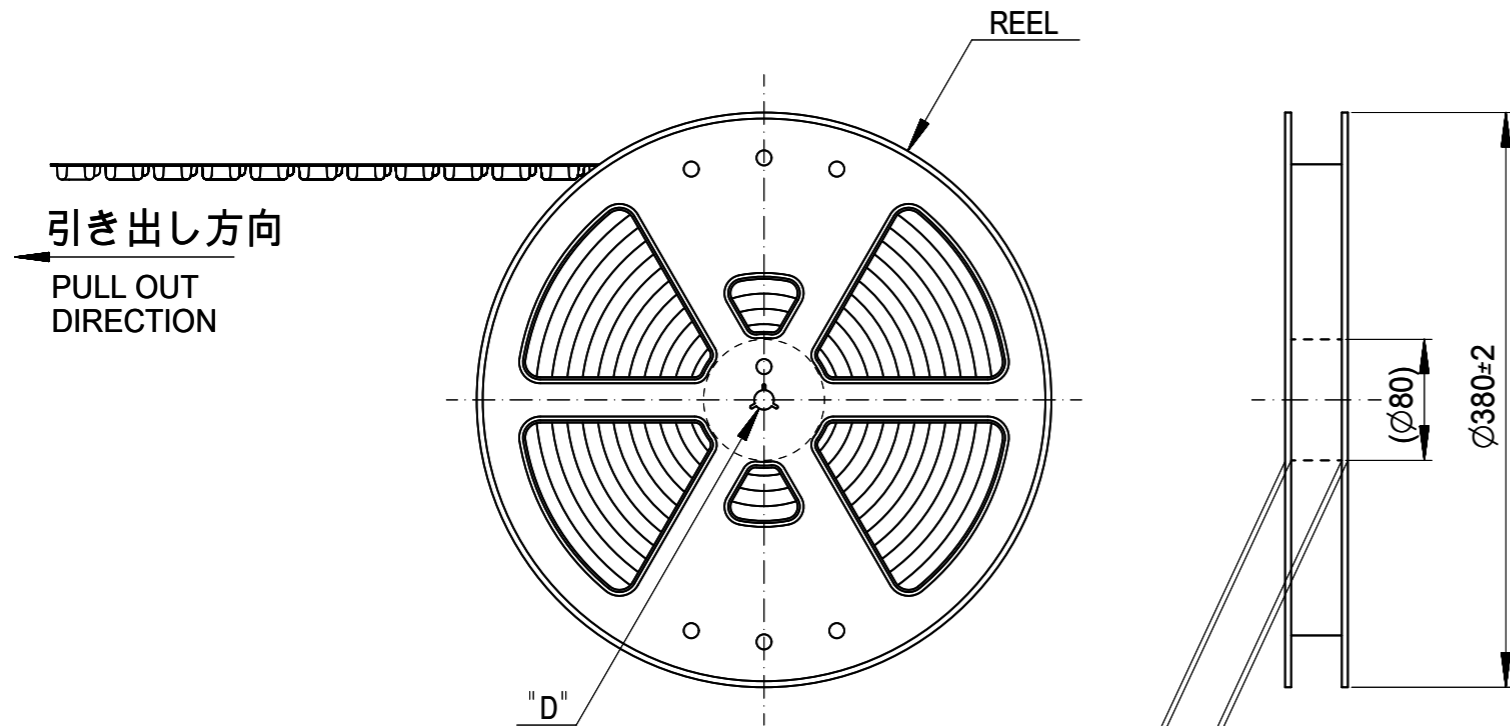
- 製品詳細寸法については製品単体図面を参照下さい。
SEE PRODUCT DRAWING ABOUT DETAILED DIMENSION.
- 梱包数量：9000個 / リール
NUMBER OF CONNECTORS : 9000PCS/REEL
- リードテープ長さ LEAD TAPE LENGTH



- カバーテープの剥離強度については、IEC60286-3に準拠
COVER TAPE PEEL FORCE IS DEFINED BY IEC 60286-3

5. 材料 MATERIAL

キャリアテープ:ポリスチレン (P S)
CARRIER TAPE:POLYSTYRENE(PS)
トップテープ:PET,OTHER
TOP TAPE:PET,OTHER
リール:ポリスチレン<リサイクル材を含む>
REEL:POLYSTYRENE(PS) < RECYCLE MATERIAL CONTAINED >

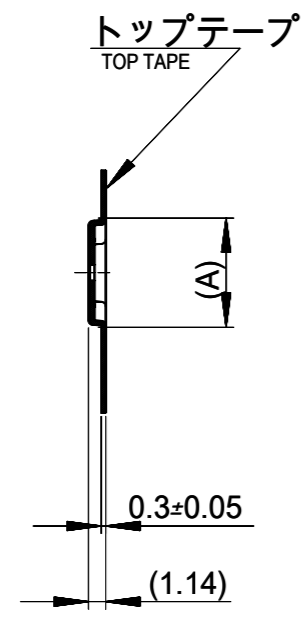


DETAIL "D"

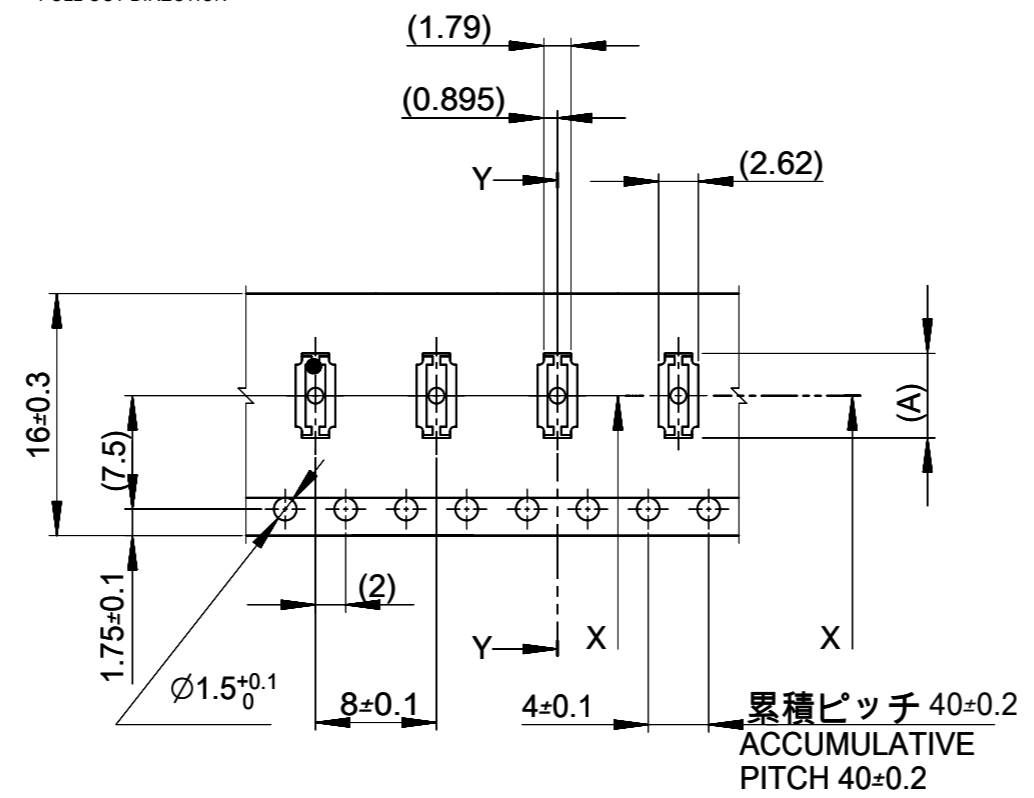
MODEL NO. 503308-**12

THIS DRAWING CONTAINS INFORMATION THAT IS PROPRIETARY TO MOLEX ELECTRONIC TECHNOLOGIES, LLC AND SHOULD NOT BE USED WITHOUT WRITTEN PERMISSION									
EC NO: 169127 DRWN: ESATO CHK'D: TNAKAGAWA01 APPR: MSASAO	GENERAL TOLERANCES (UNLESS SPECIFIED)				DIMENSION UNITS	SCALE	molex [®]		
	ANGULAR TOL ± °				mm	NTS			
	4 PLACES ±	MISOGAYA		DATE		0.4 B-TO-B CONN. HGT=0.7 PLUG ASSY EMBSTP PKG			
	3 PLACES ±	KTAKAHASHI		2016/12/14					
	2 PLACES ±	MSASAO		2017/01/19		PRODUCT CUSTOMER DRAWING			
	1 PLACE ±	MSASAO		2017/01/19					
0 PLACES ±	DRAFT WHERE APPLICABLE MUST REMAIN WITHIN DIMENSIONS		DRAWING SIZE	THIRD ANGLE PROJECTION	SERIES	MATERIAL NUMBER	CUSTOMER		
A3		A3		503308	SEE CHART	GENERAL			
				DOCUMENT NUMBER	DOC TYPE	DOC PART	SHEET NUMBER		
				5033080002	PSD	000	1 OF 3		

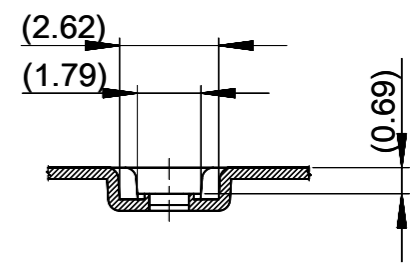
引き出し方向
PULL OUT DIRECTION



SECTION Y-Y



累積ピッチ 40±0.2
ACCUMULATIVE PITCH 40±0.2



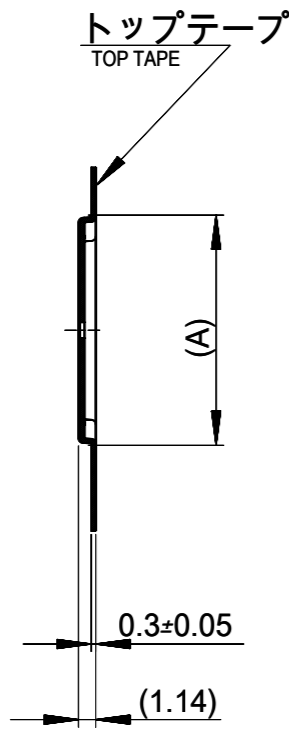
SECTION X-X

16mm 幅キャリアテープ
16mm WIDTH CARRIER TAPE

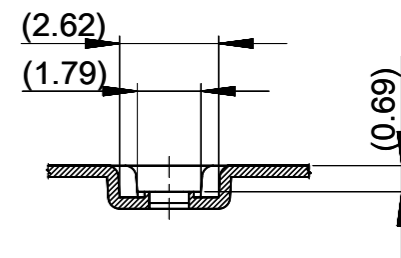
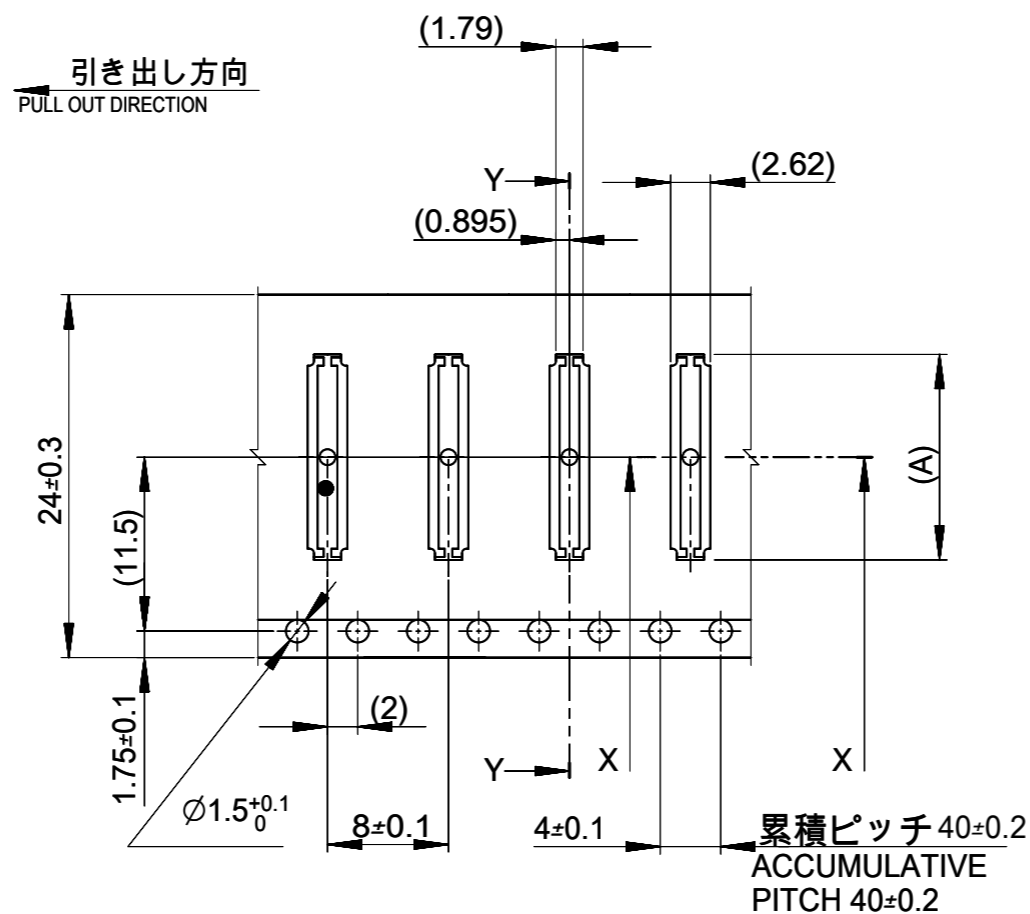
16	21.4	17.4	6.79	503308-2612	26
			6.39	503308-2412	24
			5.59	503308-2012	20
			5.19	503308-1812	18
			4.79	503308-1612	16
			3.99	503308-1212	12
キャリアテープ幅 CARRIER TAPE WIDTH	C	B	(A)	EMBOSSED PACKAGE オーダー番号 ORDER No.	極数 CIRCUIT
				CONNECTOR SERIES No.503308-**09	

THIS DRAWING CONTAINS INFORMATION THAT IS PROPRIETARY TO MOLEX ELECTRONIC TECHNOLOGIES, LLC AND SHOULD NOT BE USED WITHOUT WRITTEN PERMISSION

EC NO: 169127 DRWN: ESATO CHK'D: TNAKAGAWA01 APPR: MSASAO	2017/09/26	2017/12/06	GENERAL TOLERANCES (UNLESS SPECIFIED) ANGULAR TOL ± ° 4 PLACES ± 3 PLACES ± 2 PLACES ± 1 PLACE ± 0 PLACES ± DRAFT WHERE APPLICABLE MUST REMAIN WITHIN DIMENSIONS	DIMENSION UNITS	SCALE				
				mm	NTS				
				DRWN BY	DATE		MISOGAYA	2016/12/14	
				CHK'D BY	DATE		KTAKAHASHI	2017/01/19	
				APPR BY	DATE		MSASAO	2017/01/19	
		DRAWING SIZE	THIRD ANGLE PROJECTION	A3		PRODUCT CUSTOMER DRAWING			
		SERIES	MATERIAL NUMBER	CUSTOMER		503308	SEE CHART	GENERAL	
		DOCUMENT NUMBER	DOC TYPE	DOC PART	SHEET NUMBER	5033080002	PSD	000	2 OF 3



SECTION Y-Y



SECTION X-X

24mm 幅キャリアテープ
24mm WIDTH CARRIER TAPE

24	29.4	25.4	13.59	503308-6012	60
			11.59	503308-5012	50
			10.39	503308-4412	44
			9.99	503308-4212	42
			9.59	503308-4012	40
			7.59	503308-3012	30
キャリアテープ幅 CARRIER TAPE WIDTH	C	B	(A)	EMBOSSED PACKAGE	極数
				オーダー番号 ORDER No.	CIRCUIT
				CONNECTOR SERIES No.503308-**09	

THIS DRAWING CONTAINS INFORMATION THAT IS PROPRIETARY TO MOLEX ELECTRONIC TECHNOLOGIES, LLC AND SHOULD NOT BE USED WITHOUT WRITTEN PERMISSION

EC NO: 169127 DRWN: ESATO CHK'D: TNAKAGAWA01 APPR: MSASAO REV:	2017/09/26	GENERAL TOLERANCES (UNLESS SPECIFIED)	DIMENSION UNITS	SCALE			
	2017/12/06	ANGULAR TOL ± °	mm	NTS			
	2017/12/06	4 PLACES ±	DRWN BY	DATE		0.4 B-TO-B CONN. HGT=0.7 PLUG ASSY EMBSTP PKG	
		3 PLACES ±	MISOGAYA	2016/12/14			
		2 PLACES ±	CHK'D BY	DATE			
		1 PLACE ±	KTAKAHASHI	2017/01/19		PRODUCT CUSTOMER DRAWING	
	0 PLACES ±	APPR BY	DATE				
	DRAFT WHERE APPLICABLE MUST REMAIN WITHIN DIMENSIONS	MSASAO	2017/01/19	SERIES	MATERIAL NUMBER	CUSTOMER	
		DRAWING SIZE	THIRD ANGLE PROJECTION	503308	SEE CHART	GENERAL	
		A3		DOCUMENT NUMBER	DOC TYPE	DOC PART	SHEET NUMBER
				5033080002	PSD	000	3 OF 3

注記 NOTES

1. 使用材料 MATERIAL

ハウジング : 液晶ポリマー (LCP) UL94V-0 (黒)
 HOUSING: LIQUID CRYSTAL POLYMER UL94V-0 (COLOR:BLACK)
 ターミナル : 銅合金
 TERMINAL : COPPER ALLOY
 金具 : 銅合金
 FITTING NAIL : COPPER ALLOY

2. メッキ仕様 PLATING

ターミナル TERMINAL
 金メッキ
 GOLD
 下地メッキ : ニッケルメッキ
 UNDER PLATING : NICKEL
 ※コンタクト部とテール部はニッケルメッキによって分断されている金メッキです。
 DIVIDE INTO PARTS THE GOLD PLATING OF THE CONTACT
 AND THE TAIL PART BY THE NICKEL PLATING.

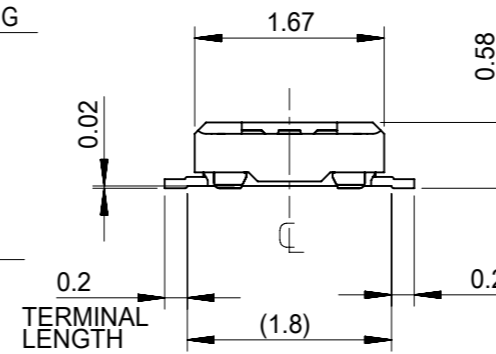
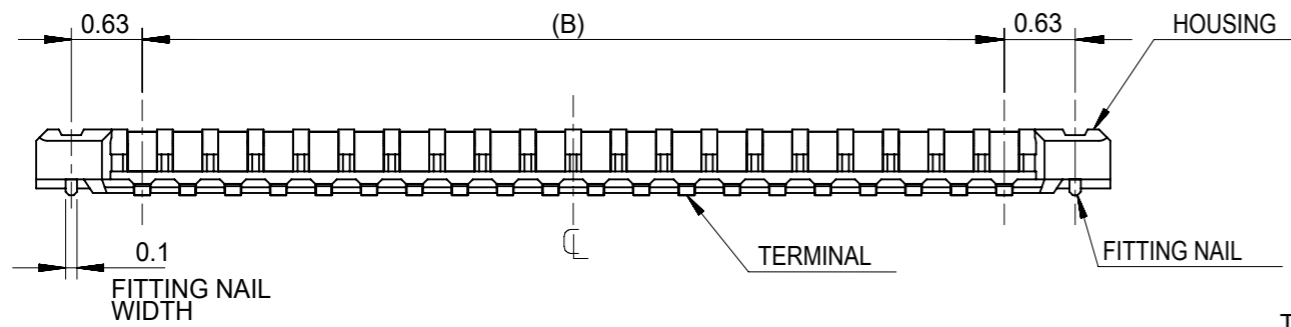
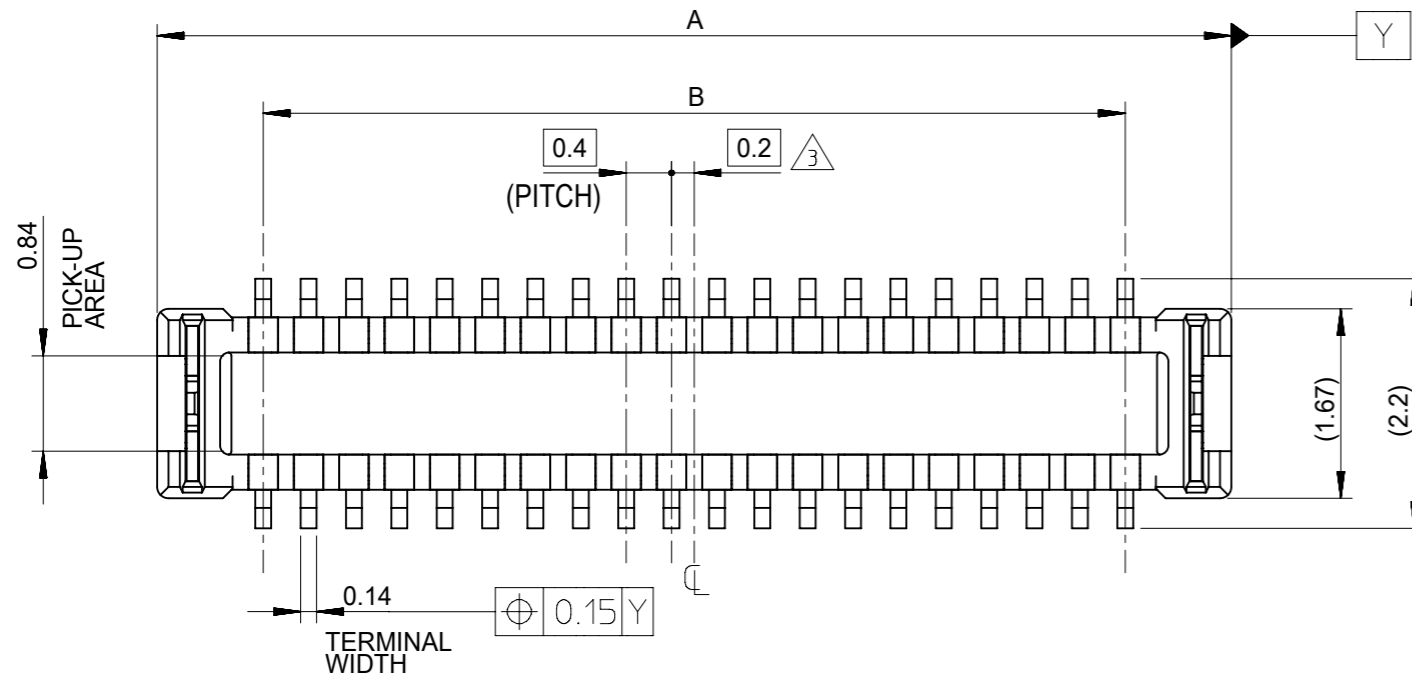
金具 FITTING NAIL

錫メッキ Tin PLATING
 下地メッキ : ニッケルメッキ
 UNDER PLATING : NICKEL

(全極数 / 2) = 偶数の場合に適用。
 APPLY FOR (CIRCUIT/2)=EVEN.

4. 嵌合相手 : 503304シリーズ
 MATE WITH : 503304 SERIES.

5. テール平坦度は、0.08以下
 テール及び金具の平坦度は、0.1以下
 TAIL COPLANARITY TO BE 0.08MAXIMUM.
 TAIL AND FITTING NAIL COPLANARITY
 TO BE 0.1MAXIMUM.

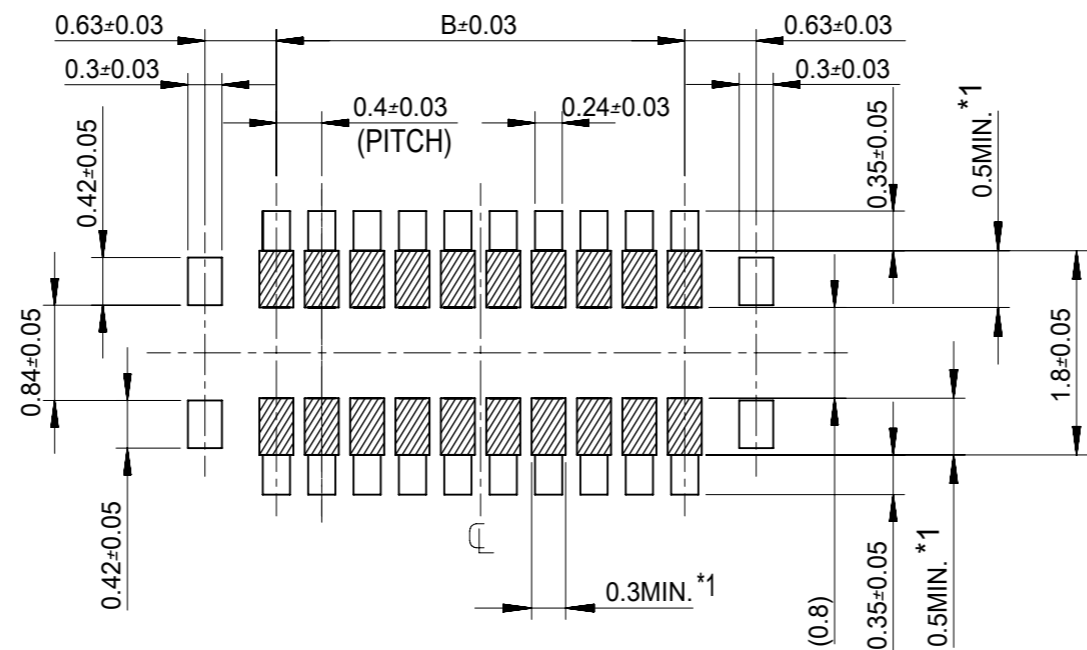


11.6	13.47	503308-6012	60
9.6	11.47	503308-5012	50
8.4	10.27	503308-4412	44
8.0	9.87	503308-4212	42
7.6	9.47	503308-4012	40
5.6	7.47	503308-3012	30
4.8	6.67	503308-2612	26
4.4	6.27	503308-2412	24
3.6	5.47	503308-2012	20
3.2	5.07	503308-1812	18
2.8	4.67	503308-1612	16
2.0	3.87	503308-1212	12
B	A	EMBOSSED PACKAGE	
		オーダー番号 ORDER No.	極数 CIRCUITS
		CONNECTOR SERIES No. : 503308-**09	

GENERAL TOLERANCES (UNLESS SPECIFIED)	
10 UNDER	±0.2
10 OVER 30 UNDER	±0.25
30 OVER	±0.3
ANGULAR	± 1 °
DRAFT WHERE APPLICABLE MUST REMAIN	

THIS DRAWING CONTAINS INFORMATION THAT IS PROPRIETARY TO MOLEX ELECTRONIC TECHNOLOGIES, LLC AND SHOULD NOT BE USED WITHOUT WRITTEN PERMISSION

EC NO: 122477 DRWN: ESATO CHK'D: KTAKAHASHI APPR: NUKITA	2017/09/26	2017/09/28	2017/09/28	GENERAL TOLERANCES (UNLESS SPECIFIED) ANGULAR TOL ± ° 4 PLACES ± 3 PLACES ± 2 PLACES ± 1 PLACE ± 0 PLACES ± DRAFT WHERE APPLICABLE MUST REMAIN WITHIN DIMENSIONS	DIMENSION UNITS	SCALE			
					mm	15:1			
					DRWN BY	DATE		MISOGAYA 2016/12/14	
					CHK'D BY	DATE		KTAKAHASHI 2017/01/19	
			APPR BY	DATE	MSASAO 2017/01/19	PRODUCT CUSTOMER DRAWING			
			DRAWING SIZE	THIRD ANGLE PROJECTION	A3	SERIES	MATERIAL NUMBER	CUSTOMER	
						503308	SEE TABLE	GENERAL	
						DOCUMENT NUMBER	DOC TYPE	DOC PART	SHEET NUMBER
						5033081002	PSD	000	1 OF 2



RECOMMENDED P.W. BOARD
PATTERN LAYOUT

*1 パターン引き回し、および半田禁止エリア
(当該箇所においては、これと接する回路以外の配線を禁止する。
半田は無きこととする。)

*1 PROHIBITED AREA OF PATTERN WIRING AND SOLDER.
(FOR EACH AREA, THE WIRING THAT TOUCHES ON THE SOLDER
CAN BE ATTACHED, THEN COVERED WITH A FILM TO KEEP SOLDER OUT.)

GENERAL TOLERANCES (UNLESS SPECIFIED)	
10 UNDER	±0.2
10 OVER 30 UNDER	±0.25
30 OVER	±0.3
ANGULAR	± 1 °
DRAFT WHERE APPLICABLE MUST REMAIN WITHIN DIMENSIONS	

THIS DRAWING CONTAINS INFORMATION THAT IS PROPRIETARY TO MOLEX ELECTRONIC TECHNOLOGIES, LLC AND SHOULD NOT BE USED WITHOUT WRITTEN PERMISSION												
EC NO: 122477 DRWN: ESATO CHK'D: KTAKAHASHI REV APPR: NUKITA	GENERAL TOLERANCES (UNLESS SPECIFIED)		DIMENSION UNITS	SCALE	 0.4 B-TO-B CONN.HGT=0.7 W=2.6 PLUG ASSY							
	ANGULAR TOL ± °		mm	15:1								
	4 PLACES ±	DRWN BY	DATE	MISOGAYA								2016/12/14
	3 PLACES ±	CHK'D BY	DATE	KTAKAHASHI								2017/01/19
	2 PLACES ±	APPR BY	DATE	MSASAO								2017/01/19
1 PLACE ±	DRAFT WHERE APPLICABLE MUST REMAIN WITHIN DIMENSIONS		DRAWING SIZE	THIRD ANGLE PROJECTION	PRODUCT CUSTOMER DRAWING							
0 PLACES ±			A3		SERIES	MATERIAL NUMBER	CUSTOMER					
					503308	SEE TABLE	GENERAL					
					DOCUMENT NUMBER		DOC TYPE	DOC PART	SHEET NUMBER			
					5033081002		PSD	000	2 OF 2			