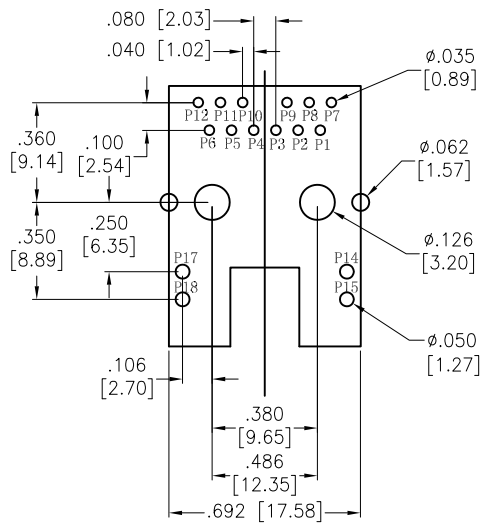
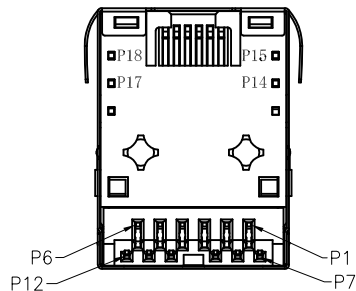
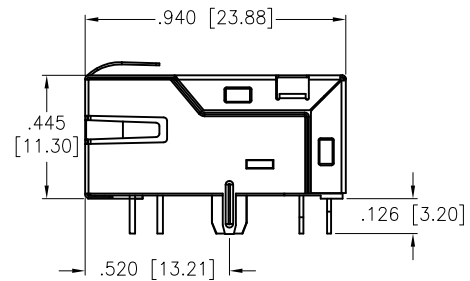
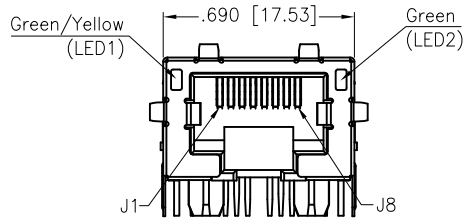


APPROVED: \_\_\_\_\_  
 DATE: \_\_\_\_\_ TITLE: \_\_\_\_\_

Rev	AWO #	Description	Date	Appr
-		RELEASED	11/13/18	



RECOMMENDED PCB LAYOUT



**SPECIFICATIONS:**

Material:  
 Insulator: Thermoplastic, rated UL 94V-0  
 Insulator color: Black  
 Contacts: Phosphor Bronze  
 Shield: Brass, Nickel plated  
 Plating:

Round contact  
 Gold over Nickel underplate overall  
 Flat contact  
 Gold over Nickel underplate on contact area,  
 Tin over Nickel underplate on solder tails  
 Electrical:

Voltage rating: 150 VAC  
 Contact Resistance: 20 mohms max  
 Insulation resistance: 500 Mohms min  
 Dielectric withstanding voltage: 1500 Vrms for 1 minute  
 Temperature Rating:  
 Operating temperature: 0°C to +70°C  
 Environmental:  
 Lead free, RoHS compliant.



(2.5G BASE-T)

UNLESS OTHERWISE SPECIFIED ALL DIMENSIONS ARE INCHES [MM] TOLERANCES: EXCEPT AS NOTED INCHES HOLES	
.X ± .10	Ø.X ± .10
.XX ± .020	Ø.XX ± .015
.XXX ± .015	Ø.XXX ± .010
APPROVALS	
DRAWN	AY
CHECKED	NL
APPROVED	
DATE	
	11/13/18
	11/13/18

**ADAM TECH**  
**INTERCONNECTS**  
 909 Rahway Avenue,  
 Union, NJ 07083  
 Phone: 908-687-5000  
 Fax: 908-687-5710

TITLE  
 MODULAR JACK, 1 PORT, 8P8C, R/A  
 W/ LED1 GREEN/YELLOW, LED2 GREEN

SIZE	PART NO.	REV.
X	MTJ-88NX1-FS-PG-L38-M369C	-
REF: S00005C	SCALE: NTS	SHEET 1 OF 2

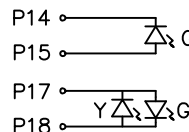
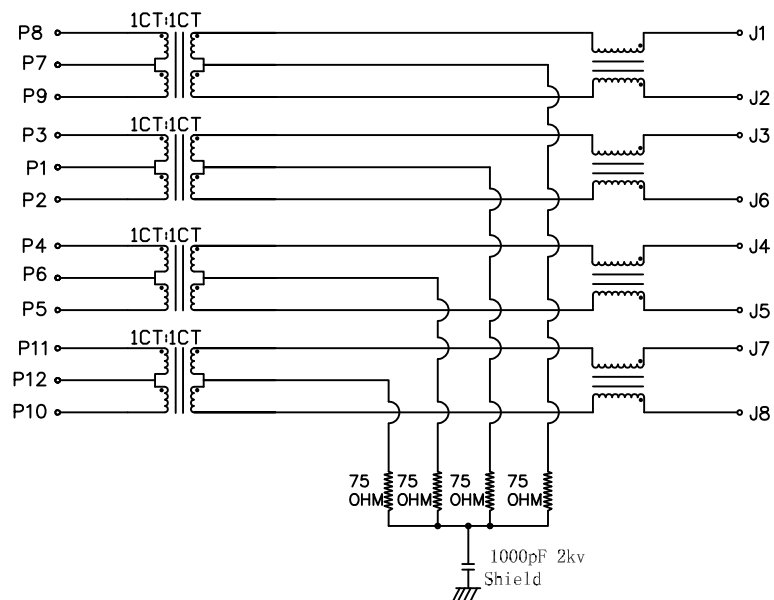
APPROVED: \_\_\_\_\_

DATE: \_\_\_\_\_ TITLE: \_\_\_\_\_

Rev	AWO #	Description	Date	Appr
-----	-------	-------------	------	------

SEE SHT 1 OF 2 FOR REVISION

### Circuit Schematic:



Pin	Green	Pin	Green	Yellow
P14	-	P17	+	-
P15	+	P18	-	+

#### ELECTRICAL SPECIFICATIONS @ 25°C:

PARAMETER	SPECIFICATIONS	
URNS RATIO	1.00 ± 2%	
POLARITY	PER SCHEMATIC	
INSERTION LOSS	1 MHz TO 125 MHz	
	-1.0 dB MAX	
RETURN LOSS LOAD 100 OHMS	1-40 MHz	40-200 MHz
	-20 dB MIN	-20+15LLOG <sub>10</sub> (f/40MHz) MIN
INDUCTANCE (OCL) (MEDIA SIDE, 0°C-70°C)	180uH MIN @100KHz,0.1V	
CROSSTALK, ADJACENT CHANNELS	1-125 MHz	
	-30 dB TYP	
COMMON MODE REJECTION RATIO	30-200 MHz	
	-30 dB MIN	
INPUT - OUTPUT ISOLATION	1500 VRMS MIN AT 60 SECONDS	

NOTE: f IS FREQUENCY IN MHZ.

(2.5G BASE-T)

UNLESS OTHERWISE SPECIFIED  
ALL DIMENSIONS ARE INCHES [MM]  
TOLERANCES: EXCEPT AS NOTED  
INCHES HOLES

.X ± .10	Ø.X ± .10
.XX ± .020	Ø.XX ± .015
.XXX ± .015	Ø.XXX ± .010

**ADAM TECH**  
INTERCONNECTS

909 Rahway Avenue,  
Union, NJ 07083  
Phone: 908-687-5000  
Fax: 908-687-5710

TITLE  
MODULAR JACK, 1 PORT, 8P8C, R/A  
W/ LED1 GREEN/YELLOW, LED2 GREEN

APPROVALS		DATE
DRAWN	AY	11/13/18
CHECKED	NL	11/13/18
APPROVED		

SIZE	PART NO.	REV.
X	MTJ-88NX1-FS-PG-L38-M369C	-
REF: S00005C	SCALE: NTS	SHEET 2 OF 2