

I-7560

USB to RS-232 Converter

 I-7560U **NEW**

USB to RS-232 Converter (Windows 8 / 8.1)



Features ▶▶▶

- Fully Compliant with the USB 1.1/2.0/3.0
- Transmission speed up to 921.6 kbps (For I-7560U)
- No External Power Supply required
- Operating Temperatures, -25 °C ~ +75 °C

Introduction

The I-7560/I-7560U provides a Windows serial COM port via its USB connection and is compatible with new and legacy RS-232 devices. USB Plug-and-Play allows easy serial port expansion and requires no IRQ, DMA, or I/O port settings manually.

The I-7560/I-7560U features a full set of RS-232 modem data and control signals (TxD, RxD, RTS, CTS, DSR, DTR, DCD, RI and GND) on its PC compatible DB-9 male connector. It also features a high-speed 115200 bps transmission rate.

The I-7560/I-7560U is powered from the USB bus and no additional power supply is needed.

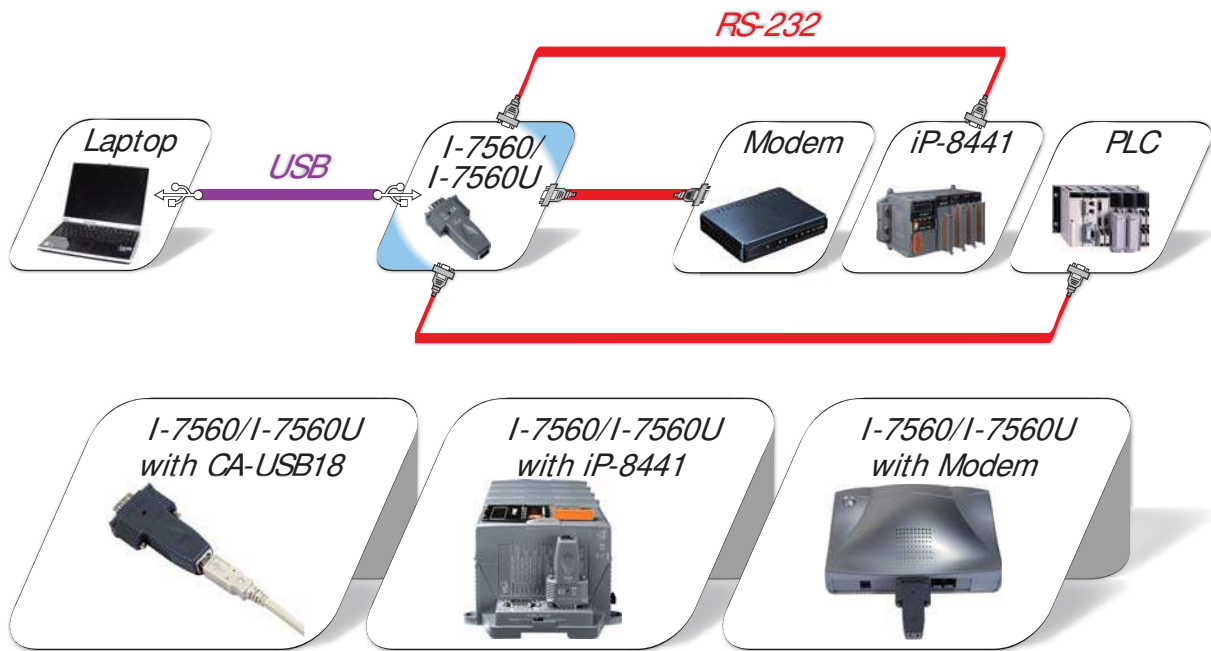
Software

| | |
|----------------|---|
| I-7560 Driver | Windows 98/ME/2000/XP/Vista (32/64-bit)/7 (32/64-bit)/Linux |
| I-7560U Driver | Windows 98/ME/2000/XP/Vista (32/64-bit)/7 (32/64-bit)/8 (32/64-bit)/8.1 (32/64-bit)/Linux |

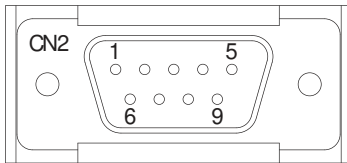
System Specifications

| Models | I-7560 | I-7560U |
|------------------------|---|------------------|
| Interface | | |
| USB | Fully Compliant with the USB 1.1/2.0/3.0 | |
| RS-232 | TxD, RxD, RTS, CTS, DSR, DTR, DCD, RI and GND; non-isolated | |
| Speed | 300 ~ 115200 bps | 300 ~ 921.6 kbps |
| Connector | RS-232 | 9-Pin Male D-Sub |
| | USB | Type B |
| Cable Included | CA-USB18 (1.8 m Cable) x 1 | |
| LED Indicators | | |
| Power | Yes | |
| Power | | |
| Input Voltage Range | +5 V _{oc} from USB | |
| Power Consumption | 0.3 W | |
| Mechanical | | |
| Casing | Plastic | |
| Flammability | Fire-Retardant Materials (UL94-V0 Level) | |
| Dimensions (W x H x D) | 33 mm x 60 mm x 15 mm | |
| Environment | | |
| Operating Temperature | -25 °C ~ +75 °C | |
| Storage Temperature | -30 °C ~ +75 °C | |
| Humidity | 10 ~ 90% RH, non-condensing | |

Applications

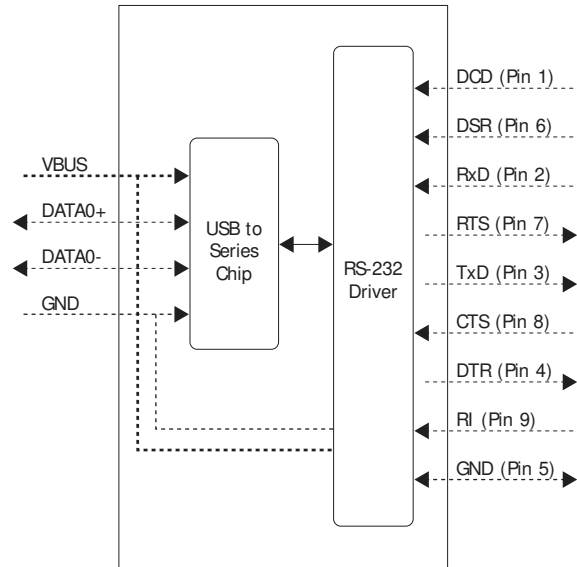


Pin Assignments

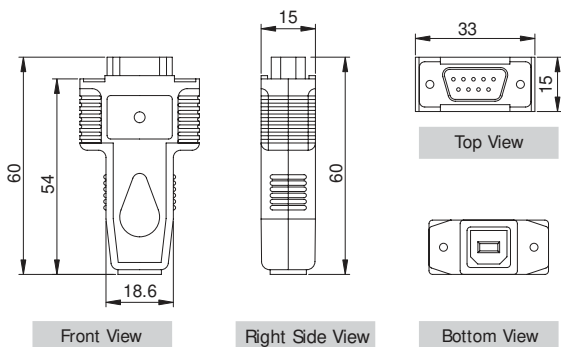


| Pin | Signal | Mode |
|-----|-------------------------|--------|
| 01 | DCD Data Carrier Detect | Input |
| 02 | RxD Receive Data | Input |
| 03 | TxD Transmit Data | Output |
| 04 | DTR Data Term Ready | Output |
| 05 | GND Ground | -- |
| 06 | DSR Data Set Ready | Input |
| 07 | RTS Request To Send | Output |
| 08 | CTS Clear To Send | Input |
| 09 | RI Ring Indicator | Input |

Internal I/O Structure



Dimensions (Unit: mm)



Ordering Information

| | |
|------------|--------------------------------|
| I-7560 CR | USB to RS-232 Converter (RoHS) |
| I-7560U CR | USB to RS-232 Converter (RoHS) |

Accessories

| | |
|-------------------------------|----------------------------|
| USB-2560 CR | CA-USB18 |
| Industrial 4-port USB 2.0 Hub | USB Type A to Type B Cable |

