

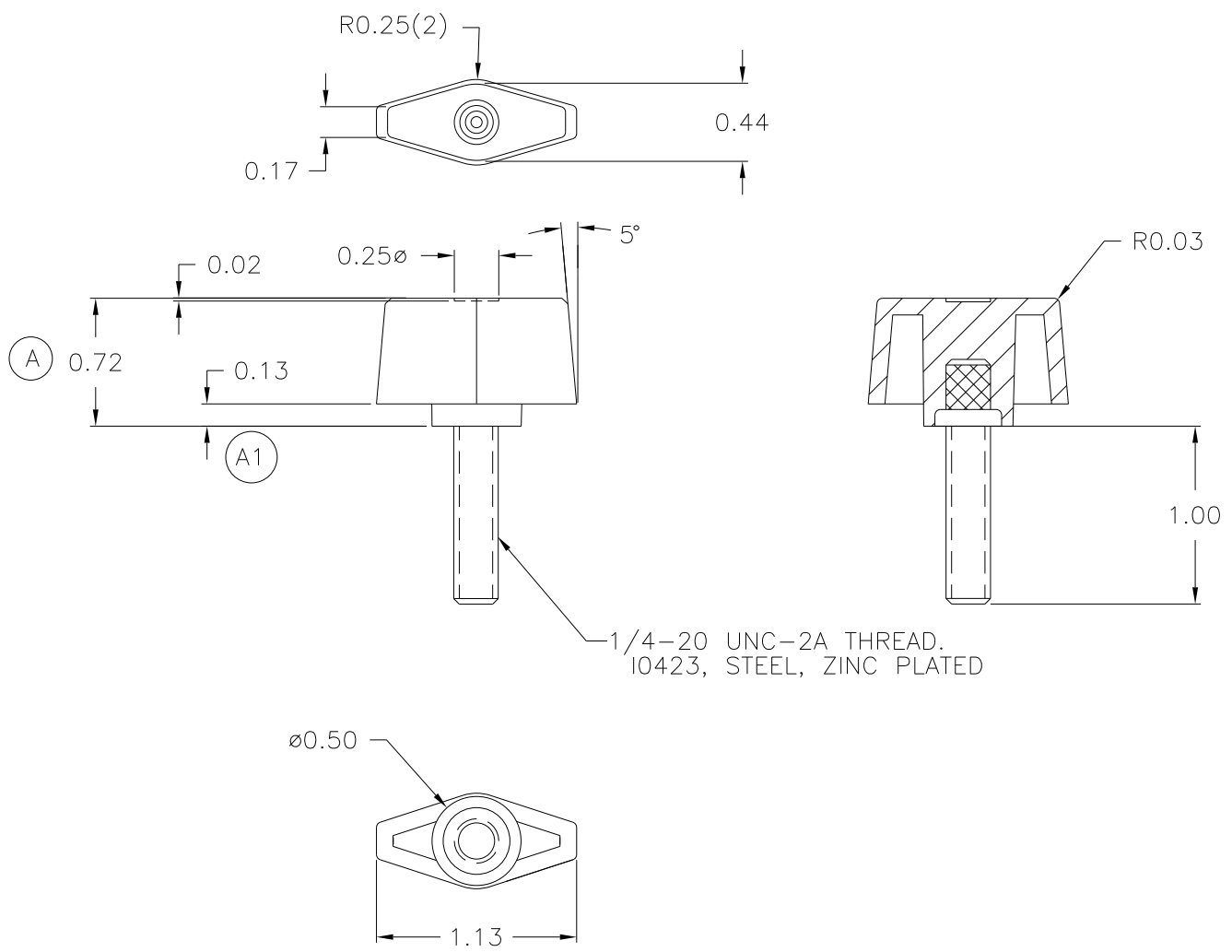
PART NAME: KNOB SCALE: 1:1 DATE: 6/14/91 DR. BY HD

THIS DRAWING IS THE PROPERTY OF DAVIES MOLDING COMPANY, IS SUBMITTED SOLELY AS A DESIGN OR ENGINEERING PROJECT. WE ACCEPT NO RESPONSIBILITY WHATSOEVER FOR THE PRACTICAL APPLICATION OF THE PIECES MADE TO THIS DESIGN.



DESIGNERS & MANUFACTURERS OF KNOBS, HANDLES, CASES & CUSTOM PLASTIC COMPONENTS

P/N 3087-M	
M NO. # 24	
CAV.	3087
CORE	3087
CORE PLUG	3087
BUSHING	3087-B1
EJCT.PIN	3087-J
INSERT	I0423



(C) MATERIAL: NYLON 6/6 (ZY2), (ZY6)
OR ENGINEERING APPROVED EQUIVALENT
COLOR: BLACK

TOLERANCES: UNLESS OTHERWISE SPECIFIED	DO NOT SCALE DRAWING	C	ADDED ZY6	JAM	7/13/12
		B	ADDED MAT. CODE	DS	1/8/07
DECIMALS: X.XXX ± .005 X.XX ± .015	MM: X.XX ± 0.15MM X.X ± 0.4MM	-	DWG. UPDATED	HD	8/21/97
		A	O.A. WAS 3/4,	HD	6/7/95
FRACTIONS ± 1/64	ANG. ± 1°	A1	WAS 5/32	HD	6/7/95
		-	CAD/REDRAWN	HD	12/9/92
CHANGES					