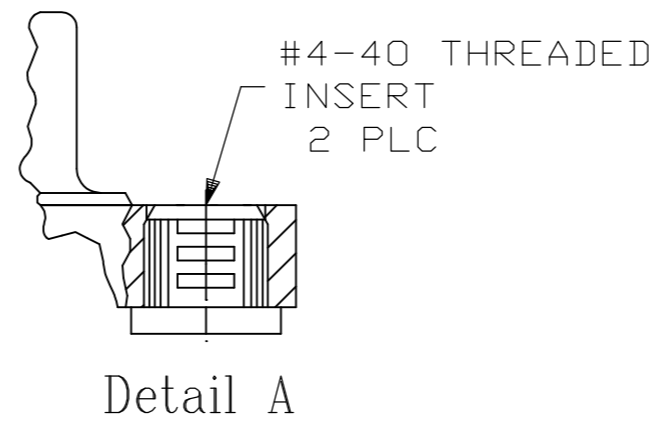
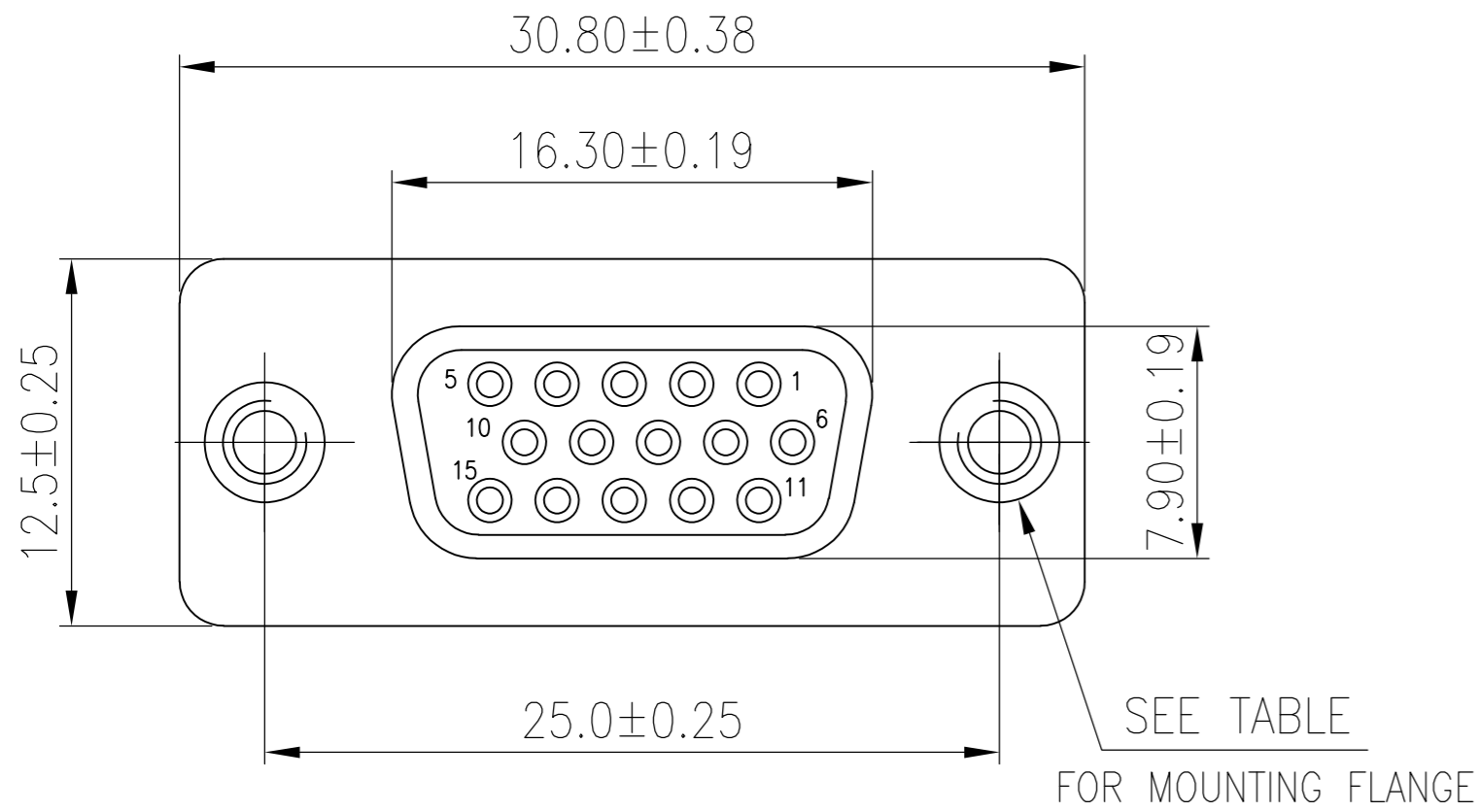


THIS DRAWING IS UNPUBLISHED. RELEASED FOR PUBLICATION  
 © COPYRIGHT - By - ALL RIGHTS RESERVED.

LOC		DIST		REVISIONS			
P	LTR	DESCRIPTION		DATE	DWN	APVD	
GP	00	C1		REVISED PER ECO-11-004835	11MAR11	RK	HMR

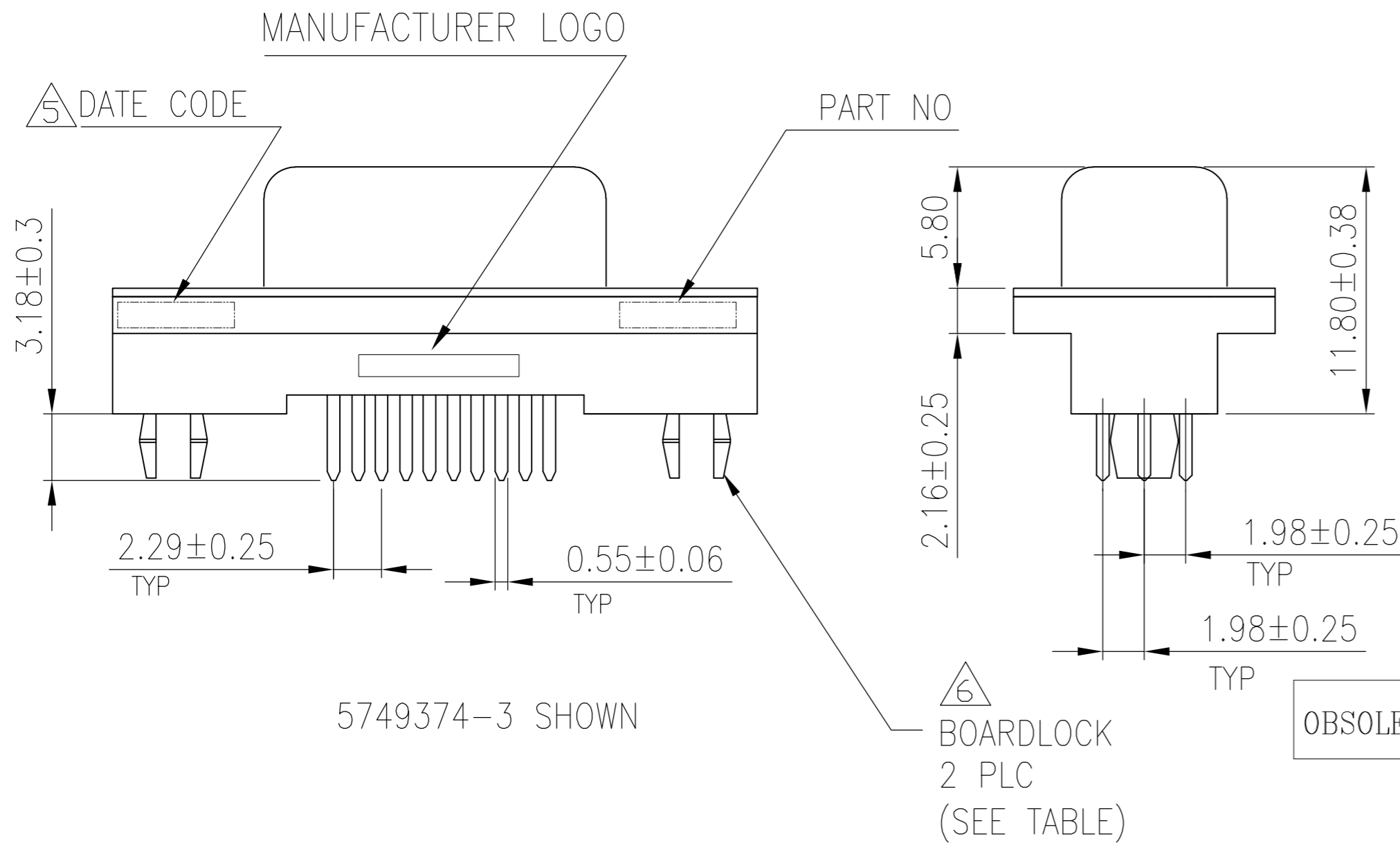


- HOUSING: PBT, 30% GF POLYESTER, UL 94V-0 RATED, COLOR BLACK.
- CONTACTS: PHOSPHOR BRONZE, GOLD PLATE IN MATING AREA (SEE TABLE), 120 $\mu$ " MIN TIN PLATE ON SOLDER TAIL, BOTH OVER 50 $\mu$ " MIN NICKEL UNDERPLATE.
- SHELL: STEEL, NICKEL PLATE.
- THREADED INSERTS AND BOARDLOCKS: BRASS, 30 $\mu$ " MIN NICKEL PLATE (-1 & -7); 100 $\mu$ " MIN TIN PLATE OVER 50 $\mu$ " MIN NICKEL UNDERPLATE (-3).

5 FOUR DIGIT DATE CODE IN THIS FORMAT.

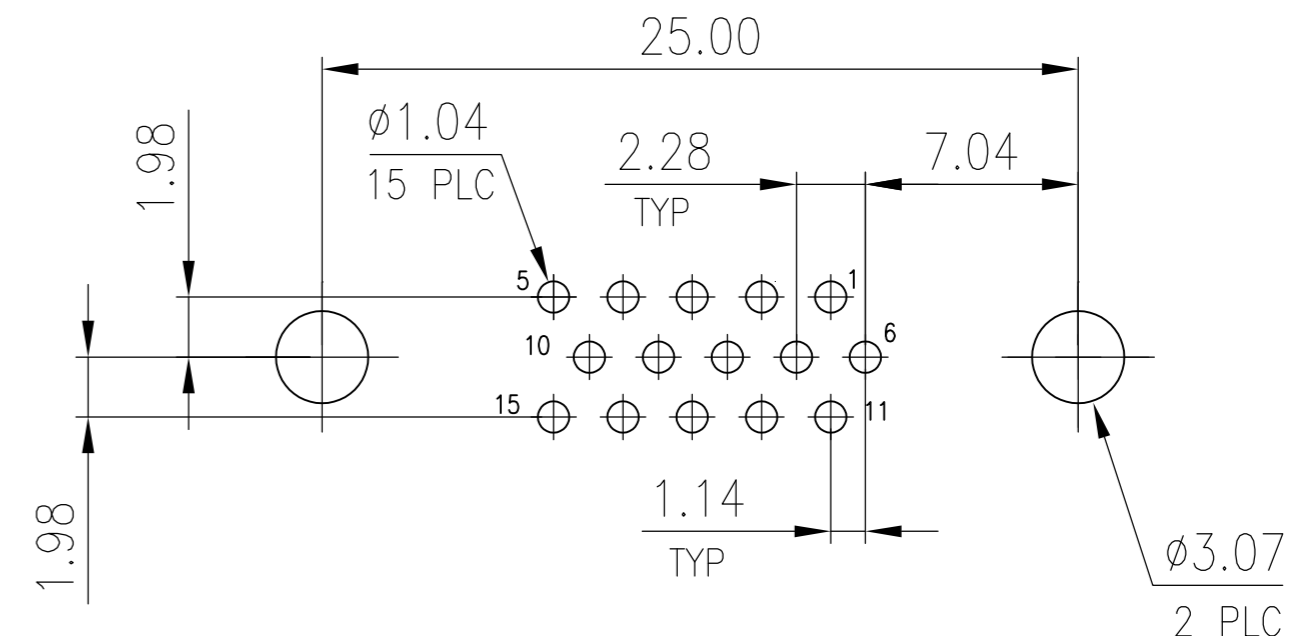


6 MAXIMUM SHAFT LENGTH OF SCREWLOCK TO ALLOW THE SCREWLOCK HEAD TO SIT FLAT ON S-SUB IS 4.70. RECOMMENDED TE CONNECTIVITY SCREWLOCK IS 5747877-3.



5749374-3 SHOWN

6 BOARDLOCK 2 PLC (SEE TABLE)



RECOMMENDED PCB LAYOUT

OBSOLETE	No	Tray	Detail A	15 $\mu$ " MIN GOLD	5749374-7
	Yes	Tray	Detail A	30 $\mu$ " MIN GOLD	6 5749374-3
	No	Tray	Detail A	30 $\mu$ " MIN GOLD	5749374-1
BOARDLOCK	Packaging	Mounting Flange Config	Contact Mating Area Finish	Part No	

THIS DRAWING IS A CONTROLLED DOCUMENT.		DWN R.RICHARDSON 31MAY05		
DIMENSIONS: mm		CHK S.BOLASH 31MAY05		
TOLERANCES UNLESS OTHERWISE SPECIFIED:		APVD M.WALMSLEY 31MAY05	NAME AMPLIMITE HD-22	
0 PLC ± -		PRODUCT SPEC 108-1092	15 POS RECEPTACLE, VERTICAL	
1 PLC ± 0.30		APPLICATION SPEC 114-13199	SIZE A2	CAGE CODE 00779
2 PLC ± 0.20		WEIGHT -	DRAWING NO C=5749374	RESTRICTED TO -
3 PLC ± 0.10			SCALE 1:1	SHEET 1 OF 1
4 PLC ± -			REV C1	
ANGLES ± 2'				
FINISH -				