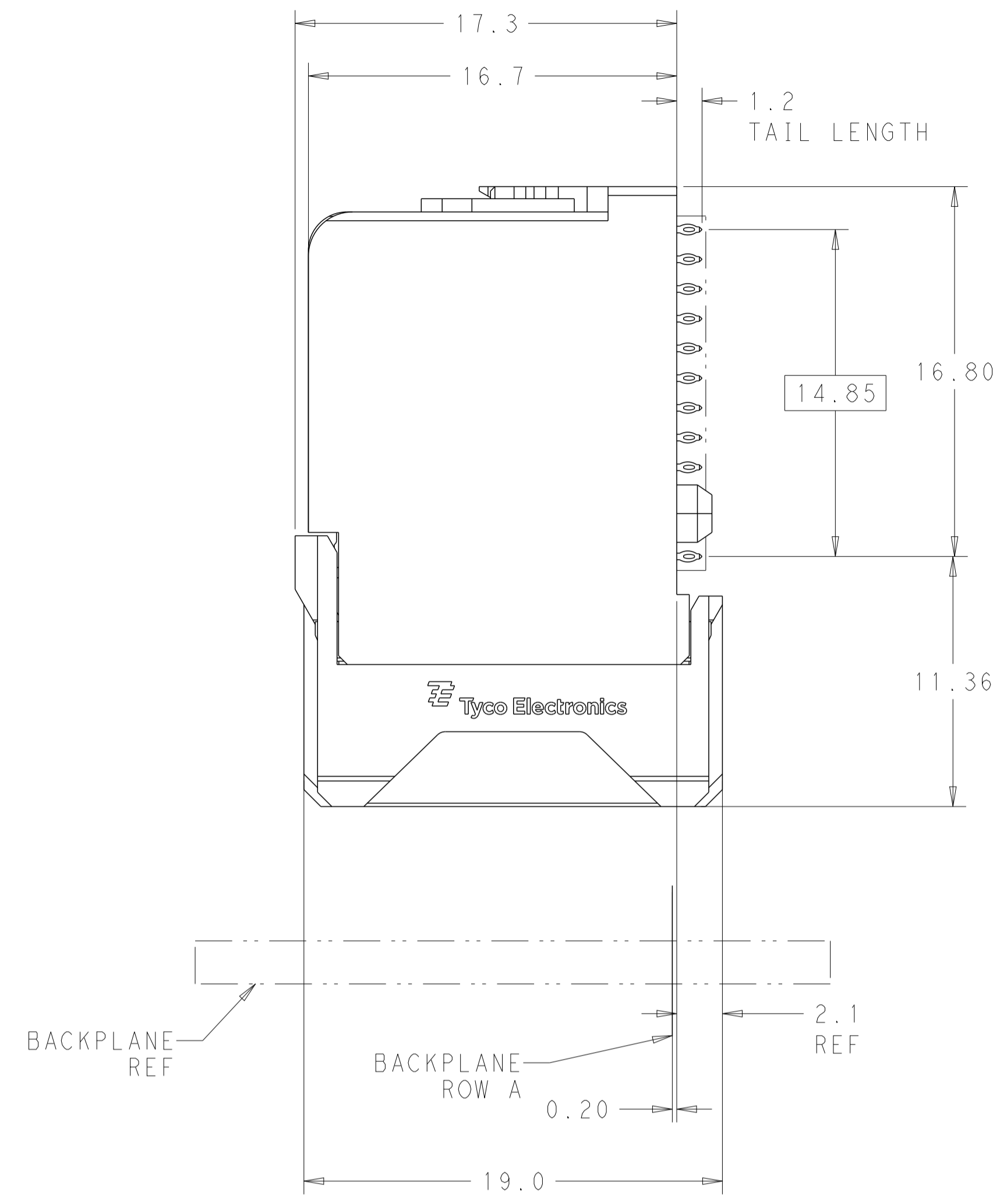
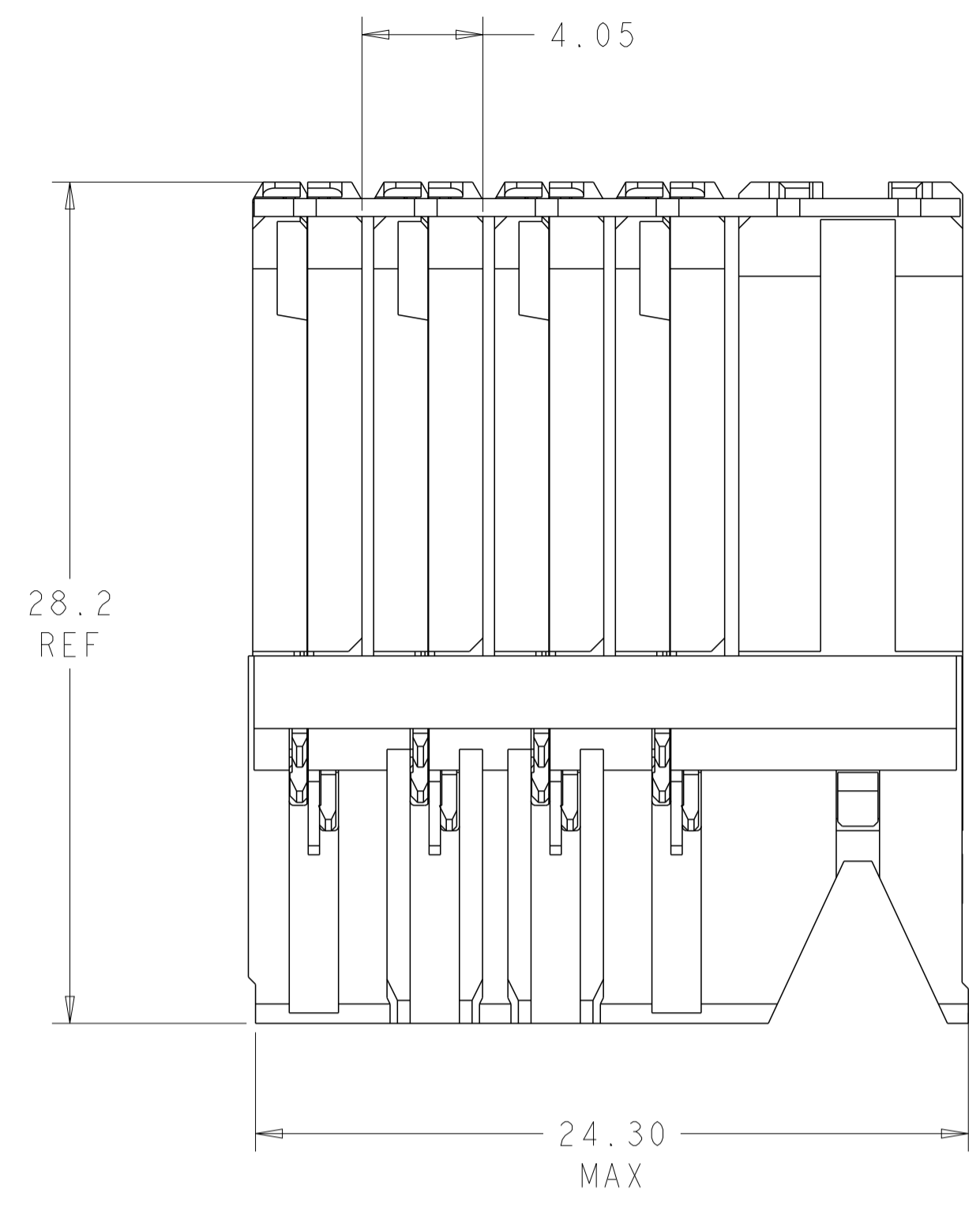
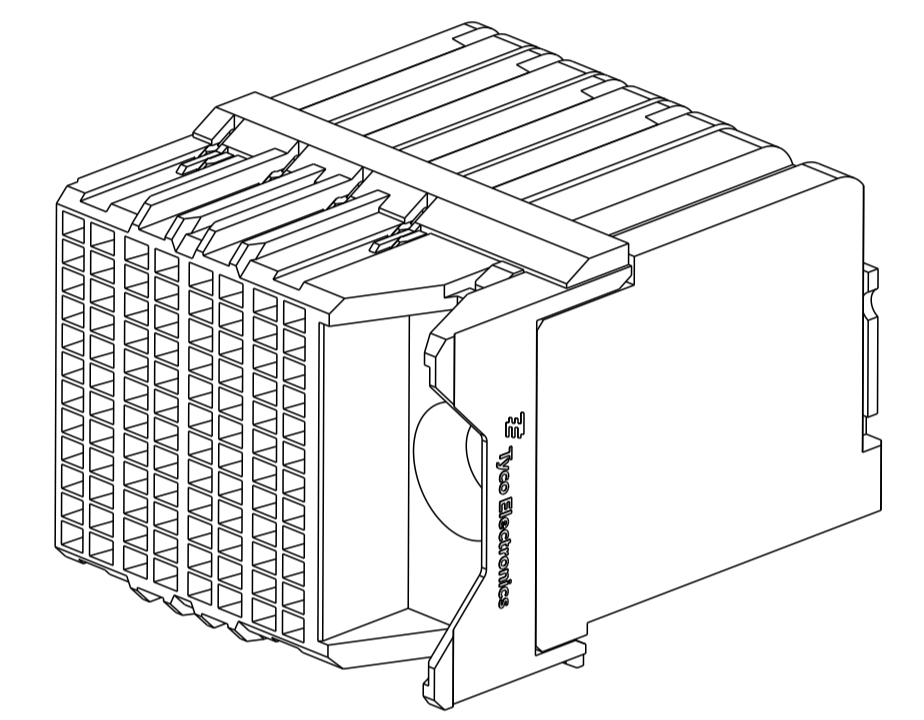


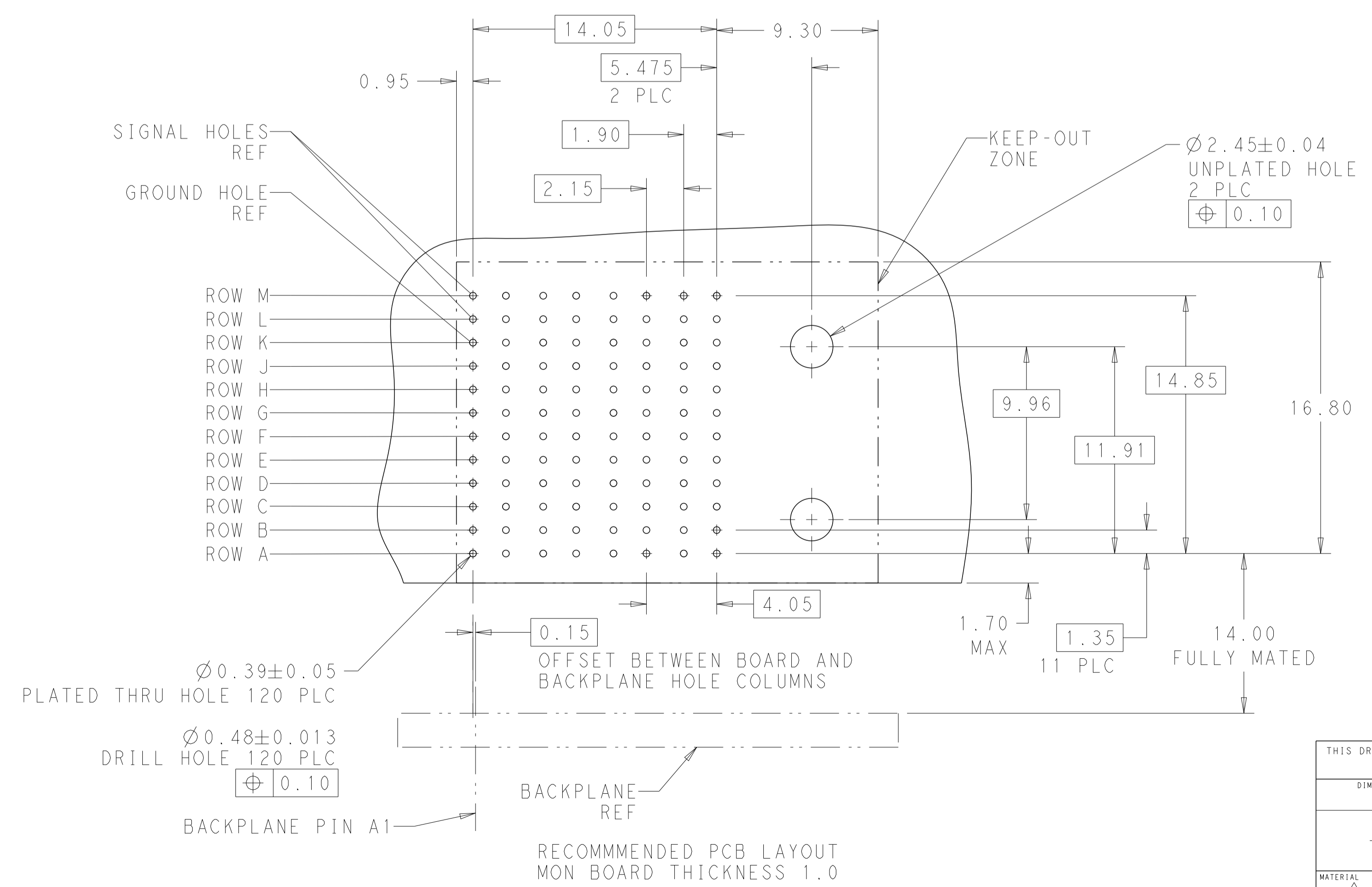
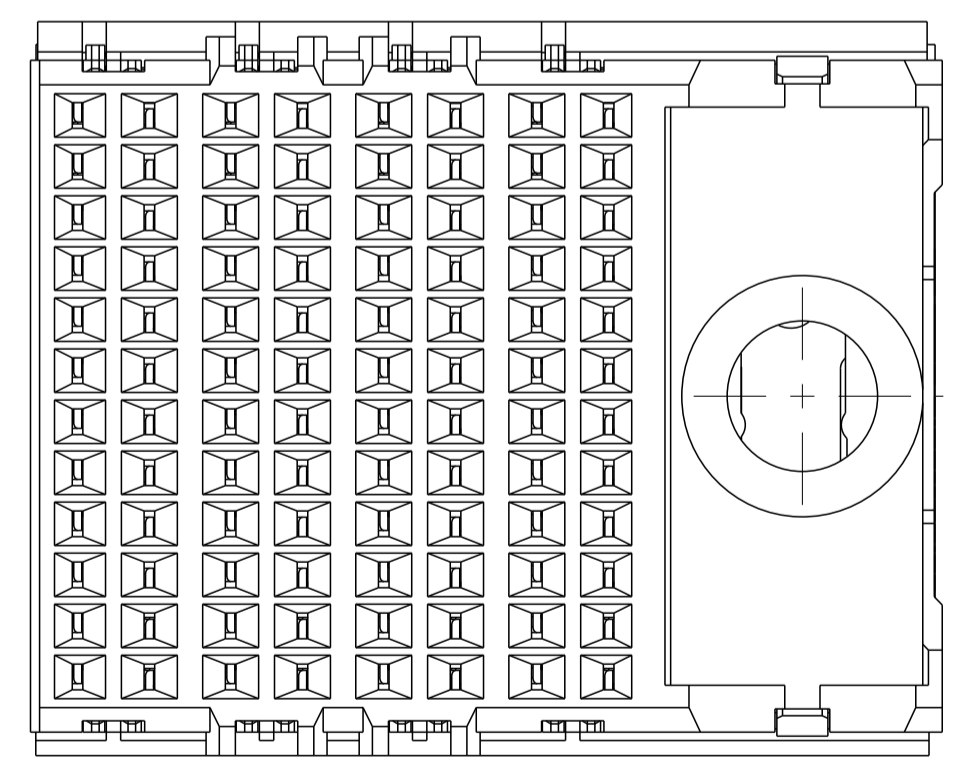
LOC		DIST		REVISIONS			
P	LTN	DATE	DWN	APVD			
A		28NOV2012	KH	DD	REVISED PER ECO-12-004765		



- △ MATERIAL:  
HOUSING: LCP, GLASS FILLED, UL94V-0  
TERMINALS: HIGH PERFORMANCE COPPER ALLOY
- △ FINISH:  
30u" SELECTIVE GOLD IN CONTACT AREA, SELECTIVE TIN ON PCB TAILS, NICKEL OVERALL
- 3. EACH SIGNAL WAFER CONTAINS 2 COLUMNS OF TERMINALS
- △ FINISH:  
30u" SELECTIVE GOLD IN CONTACT AREA, SELECTIVE TIN-LEAD ON PCB TAILS, NICKEL OVERALL



SCALE 3:1



△	2132465-5
△	2132465-1
FINISH	PART NUMBER

THIS DRAWING IS A CONTROLLED DOCUMENT.

DIMENSIONS:	TOLERANCES UNLESS OTHERWISE SPECIFIED:	DWN: M. HORNUNG 23NOV2010	CHK: D. DIXON 23NOV2010	APVD: D. DIXON 23NOV2010	NAME: IMPACT_4 PR_8 COL_DAUGHTERCARD, RIGHT GUIDED SIGNAL MODULE 0.39 EYELET, ORTHOGONAL
mm	0 PLC ±0.25 1 PLC ±0.15 2 PLC ±0.15 3 PLC ±0.15 4 PLC ±0.15 ANGLES ±1/2	PRODUCT SPEC	APPLICATION SPEC	SIZE: A1	CAGE CODE: 2132465
MATERIAL:	FINISH:	WEIGHT:	CUSTOMER DRAWING	SCALE: 5:1	SHEET 1 OF 1

4805 (3/11)