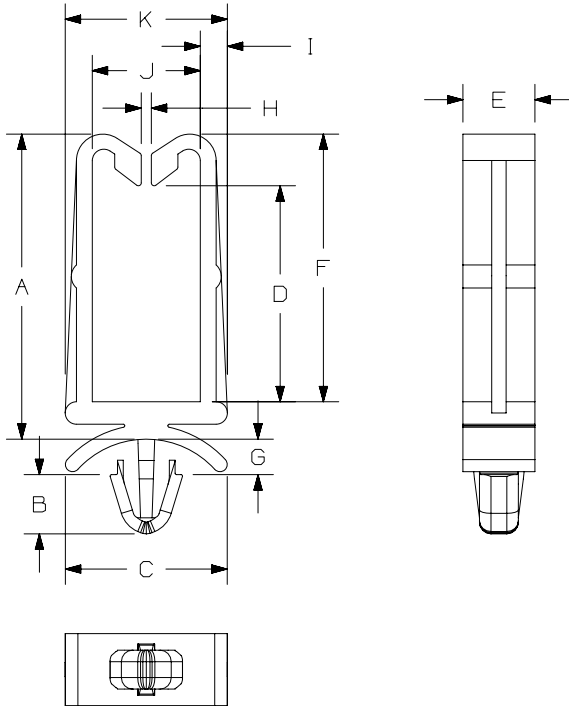
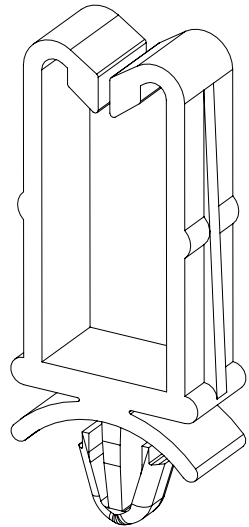


THIS COPY IS PROVIDED ON A RESTRICTED BASIS AND IS NOT TO BE USED IN ANY WAY DETRIMENTAL TO THE INTERESTS OF PANDUIT CORP.

PANDUIT PART NUMBER	DIMENSION											MAX BUNDLE CAPACITY		
	A +/- .031	B	C	D +/- .031	E	F	G	H	I	J +/- .031	K	BUNDLE DIAMETER	BUNDLE CROSS SECTIONAL AREA	
VWS3750-*	0.80 [20.3]			0.50 [12.7]		0.67 [17.0]				0.09 [2.3]		0.375 [9.5] X 0.500 [12.7]	0.1875 in ² [120.7 mm ²]	
VWS3775-*	1.05 [26.7]	0.23 [5.8]	0.56 [14.2]	0.75 [19.1]	0.25 [6.4]	0.92 [23.4]	0.12 [3.0]	0.02 [0.5]	0.1 [2.5]			0.375 [9.5] X 0.750 [19.1]	0.28125 in ² [181.5 mm ²]	
VWS50100-*	1.33 [33.8]			1.00 [25.4]		1.22 [31.0]				0.13 [3.3]	0.500 [12.7]	0.75 [19.1]	0.500 [12.7] X 1.000 [25.4]	0.500 in ² [322.6 mm ²]



NOTES:

- 1) HOLE SIZE 0.187/0.192 [4.7/4.9 mm]
- 2) PANEL THICKNESS 0.030/0.080 [0.8/2.0 mm]
- 3) MILLIMETERS ARE IN [].
- 4) ALL DIMENSIONS ARE REFERENCE EXCEPT A, D, AND J.



REV	DATE	BY	CHK	APR	DESCRIPTION	ECN
05	7/24/15	RVU	DJW	JHAC	CHANGE NOTE 2, 0.030/0.080 [0.8/2.0 mm] WAS 0.030/0.040 [0.8/1.0 mm].	GAECN02992
04	6/22/15	RVU	DJW	JHAC	ADD NOTE 4 AND REMOVE TOLERANCES FROM THE TITLE. NOTE 2, 0.030/0.040 [0.8/1.0 mm] WAS 0.030/0.080 [0.8/2.0 mm].	GAECN02922
03	6/9/15	RVU	CLW	JHAC	UPDATE TABLE WITH A-K DIMENSIONS COLUMNS AND MORE. ADD NOTE 3. REVISED DIMENSION WITH LETTERS. UPDATE TITLE.	GAECN02905
02	6/02/15	BWG	MRJS	JADE	ADDED REF. DIMENSIONS AND METRIC DIMENSIONS.	10B233AB/02
01	5/20/15	BWG	MRJS	JADE	REVISED NOTE 2. SEE ECN FOR COMPLETE DETAILS.	10B233AB/01
00	4/15/15	BWG	MRJS	JADE	DRAWING RELEASED.	10B233AB/00

TITLE VERTICAL WIRE SADDLES - VWS3750-*, VWS3775-* & VWS50100-*		CUSTOMER DRAWING	
ITEM REVISION NAME 10B233AB/05		PANDUIT	
DATASET FILE NAME 10B233AB_DC/05			
UNLESS OTHERWISE SPECIFIED, DIMENSIONAL TOLERANCES ARE: IN [mm]		MATERIAL: NYLON 6.6	
.x ± SEE NOTE 4. .xxx ± SEE NOTE 4. .xx ± SEE NOTE 4. ANGLES ± SEE NOTE 4.		DRAWING NUMBER: 10B233AB_DC	
THIRD ANGLE PROJECTION			
DRAWN BY GILES	DATE 4/15/15	CHK JHAC	SCALE 1.5x
SHT 1 OF 1		SIZE A	