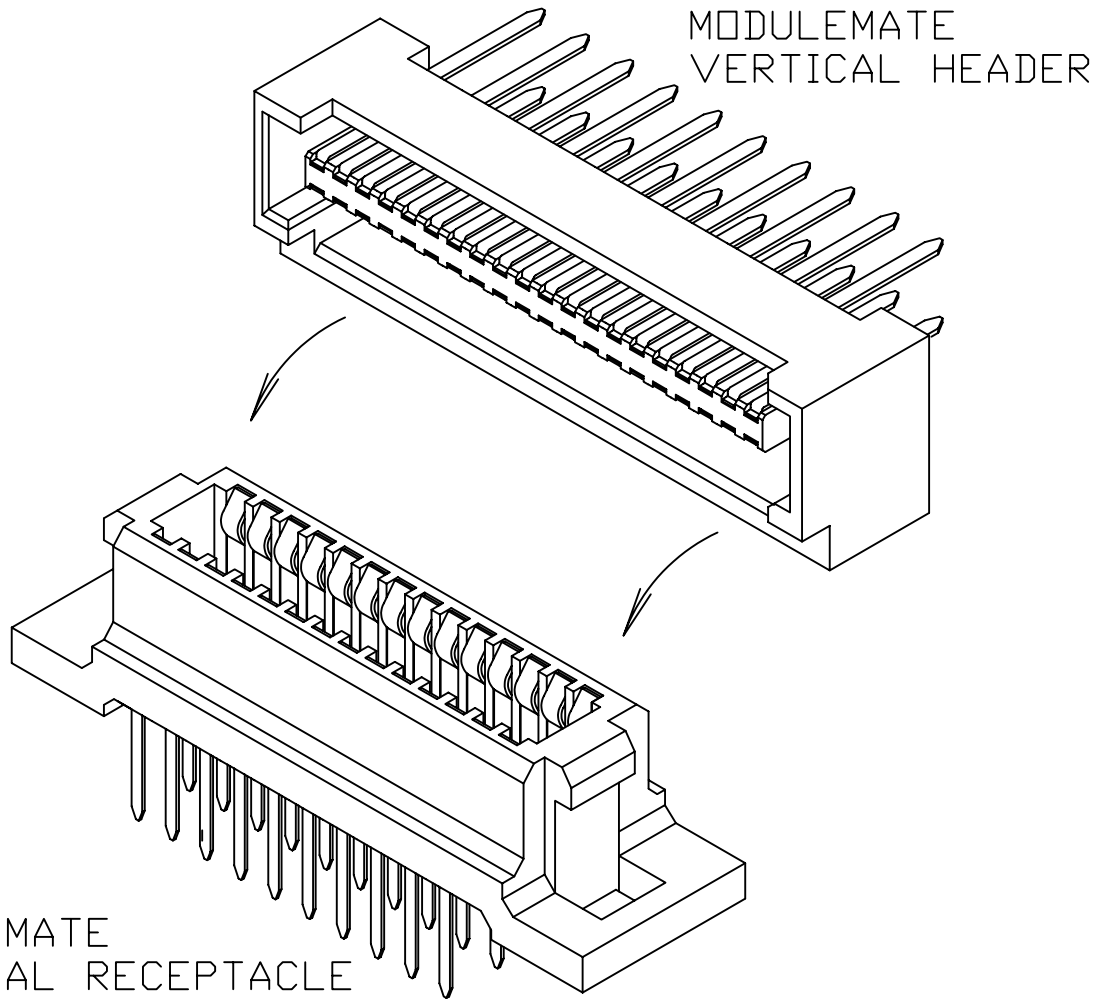



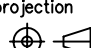
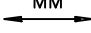
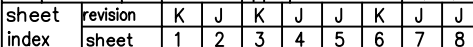
PRODUCT NO.	SEE DIAGRAM SH. 2
SHEET INDEX	
SHEET 1	TITLE SHEET
SHEET 2	PART NUMBER AND MATED HEIGHT INFO.
SHEET 3	VERTICAL RECEPTACLE WITH HOOK
SHEET 4	VERTICAL RECEPTACLE WITHOUT HOOK
SHEET 5	RIGHT ANGLE RECEPTACLE
SHEET 6	RIGHT ANGLE HEADER
SHEET 7	VERTICAL HEADER WITH HOOK
SHEET 8	VERTICAL HEADER WITHOUT HOOK

FEATURES:

- PITCH = 1.27mm/.05 AT CONTACT INTERFACE
- POSTURE: RIGHT ANGLE RECEPTACLE
RIGHT ANGLE HEADER
VERTICAL RECEPTACLE
VERTICAL HEADER
- NUMBER OF POSITIONS:
20,30,40,50,60,80,100,120
- MATED HEIGHTS, VERTICAL POSTURE:
7,8,9,10,12,MM
- PCB RETENTION HOOK ON ALL RIGHT ANGLE ASSEMBLIES, OPTIONAL ON VERTICAL ASSEMBLIES
- RECEPTACLE TERMINAL MATERIAL:
PHOS-BRONZE WITH 15u"/0.38u MIN GXT IN CONTACT AREA AND 100u"/2.54u MIN SnPb IN SOLDER TAIL AREA
HEADER TERMINAL MATERIAL:
PHOS-BRONZE WITH 15u"/0.38u MIN GXT IN CONTACT AREA AND 100u"/2.54u MIN SnPb IN SOLDER TAIL AREA
HOUSING MATERIAL: LCP, COLOR IS BLACK
- P/N'S WITH SUFFIX "LF" ARE LEAD FREE P/N'S. FOR LEAD FREE P/N'S, ALL SnPb PLATING WILL BE SUBSTITUTED BY PURE TIN
- PACKING STANDARD GS-14-920 WILL BE APPLIED FOR LEAD FREE P/N'S
- FOR LEAD FREE P/N, THE PRODUCT MEET EUROPEAN UNION DIRECTIVES AND OTHER COUNTRY REGULATION AS DESCRIBED IN GS-22-008
- FOR LEAD FREE P/N, THE HOUSING WILL WITHSTAND EXPOSURE TO 260°C PEAK TEMPERATURE FOR 40 SECONDS IN A CONVECTION, INFRARED OR VAPOR PHASE REFLOW OVEN.



MODULEMATE
VERTICAL RECEPTACLE

mat'l. code				tolerances unless otherwise specified				CUSTOMER COPY		 www.fcjconnect.com		
ltr	ecn no	dr	date	linear	.XX ± 0.13		projection		title MODULEMATE CONNECTOR ASSEMBLY		product family MODULEMATE	code
H	V11178	TAI	05/09/01		.XXX ± 0.05							
J	N05-0269	PH	09/28/05	angles	0° ± 2°			scale	A3	size 95747	sheet 1 of 8	
K	N06-0304	LONG	12/04/06									
E	T60403	L S	10/5/96	dr	KENNY TAI	05/09/01						
F	T70121	L S	03/27/97	enr	KENNY TAI	05/09/01						
G	T80299	CH	07/13/98	chr	KENNY TAI	05/09/01						
				appd	PAUL WANG	05/09/01						
sheet index	revision	K	J	K	J	J	K	J	J			
	sheet	1	2	3	4	5	6	7	8			

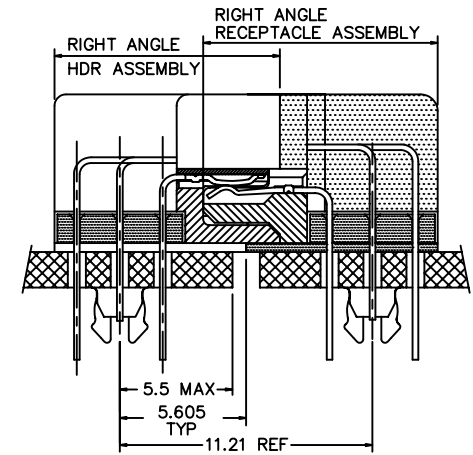
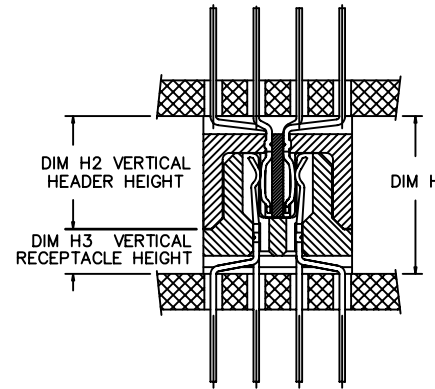
MODULEMATE ASSEMBLY PRODUCT
NUMBERS, HEADERS AND RECEPTACLES
PRODUCT NUMBER 9 5 7 G P - N N H

GENDER	PROOC
HEADER	4
RECEPTACLE	5

POSTURE	CODE
RIGHT ANGLE	7
VERTICAL W/HOOK	8
VERTICAL W/O HOOK	9

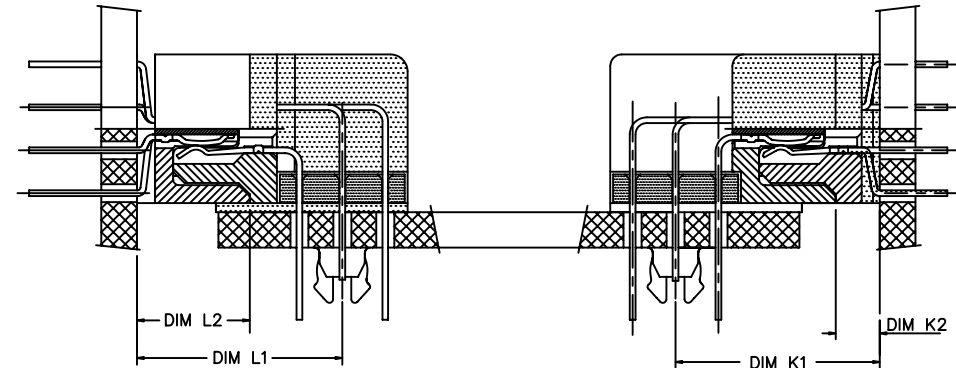
CODE	TOTAL NUMBER OF POSITIONS
02	20
03	30
04	40
05	50
06	60
08	80
10	100
12	120

CODE	MATING DISTANCE	
	HEADER	RECEPTACLE
SEE TABLES 1 FOR VERTICAL MATING, TABLE 2 FOR HORIZONTAL MATING, AND TABLES 3 AND 4 FOR RIGHT ANGLE MATING		



HEADER CODE	RECEPTACLE CODE	MATED HEIGHT	DIM H2	DIM H3
5	2	7	5	2
5	3	8	5	3
7	2	9	7	2
7	3	10	7	3
5	5	10	5	5
7	5	12	7	5

HEADER CODE	RECEPTACLE CODE	
8	8	RIGHT ANGLE HEADER TO RIGHT ANGLE RECEPTACLE



HEADER CODE	RECEPTACLE CODE		L1	L2
5	8	VERTICAL HEADER TO RIGHT ANGLE RECPT.	9.105	5
7	8		11.105	7

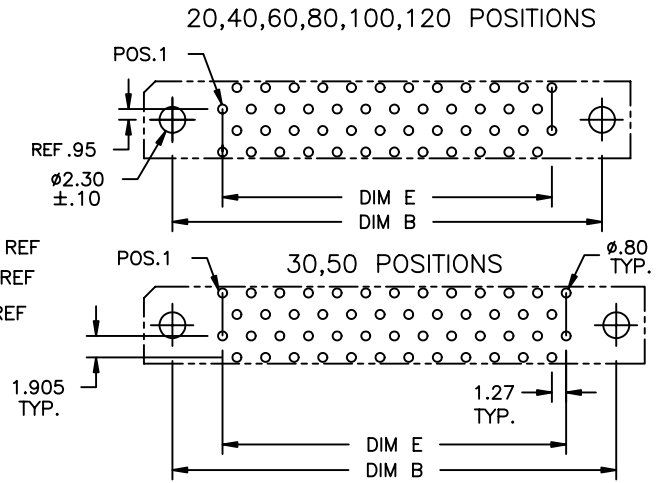
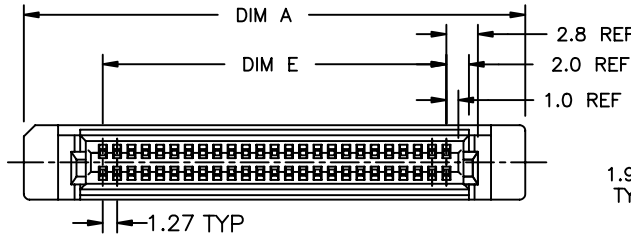
HEADER CODE	RECEPTACLE CODE		K1	K2
8	2	RIGHT ANGLE HEADER TO VERTICAL RECEPTACLE	9.06	2
8	3		10.06	3
8	5		12.06	5

mat'l. code				tolerances unless otherwise specified			CUSTOMER COPY		 www.fciconnect.com	
ltr	ecn no	dr	date	linear	.X ± 0.3		projection	title		
J					.XX ± 0.13			MODULEMATE		
					.XXX ± 0.05			CONNECTOR ASSEMBLY		
				angles	0° ± 2°		 MM	product family		code
				dr	KENNY TAI	05/09/01		MODULEMATE		
				enr	KENNY TAI	05/09/01	scale	size		dwg no
				chr	KENNY TAI	05/09/01		A3		95747
				appd	PAUL WANG	05/09/01				sheet
sheet	revision									2 of
index	sheet									

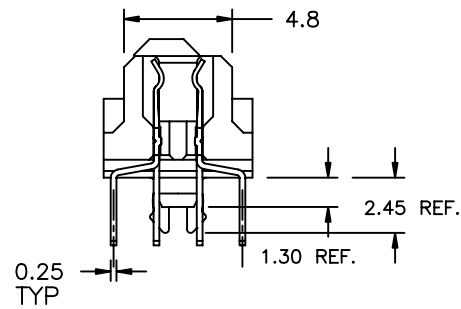
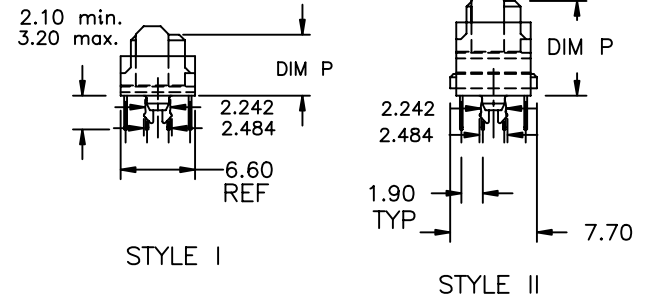
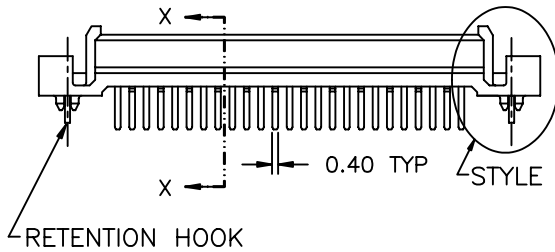
This data is preliminary. Reproduction or use in other parts is not permitted without written authority from the proprietor. Property © © 2010 ELECTRONICS. Copyright © 2010 ELECTRONICS by

PRODUCT NUMBER	POS.	DIM A	DIM B	DIM E	DIM P	TYPE	COMMENTS
95758-022LF	20	25.43	20.32	11.43	5.4	STYLE I	AVAILABLE
-032	30	31.78	26.67	17.78			
-042	40	38.13	33.02	24.13			
-052	50	44.48	39.37	30.48			
-062/062LF	60	50.83	45.72	36.83			
-082	80	63.53	58.42	49.53			
-102	100	76.23	71.12	62.23			NOT TOOLED
95758-122	120	88.93	83.82	74.93	5.4	STYLE I	
95758-023	20	25.43	20.32	13.43	6.4	STYLE I	
-033	30	31.78	26.67	19.78			
-043	40	38.13	33.02	26.13			
-053	50	44.48	39.37	32.48			
-063	60	50.83	45.72	38.83			
-083	80	63.53	58.42	51.53			
-103	100	76.23	71.12	64.23			
95758-123	120	88.93	83.82	76.93	6.4	STYLE I	
95758-025	20	25.43	20.32	13.43	8.4	STYLE II	
-035	30	31.78	26.67	19.78			
-045	40	38.13	33.02	26.13			
-055	50	44.48	39.37	32.48			
-065	60	50.83	45.72	38.83			
-085	80	63.53	58.42	51.53			
-105	100	76.23	71.12	64.23			
95758-125	120	88.93	83.82	76.93	8.4	STYLE II	

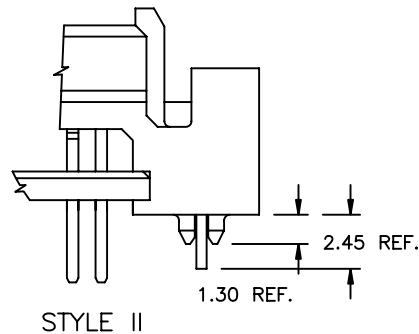
VERTICLE RECEPTACLE WITH HOOKS SHOWN ON THIS SHEET



RECOMMENDED PCB LAYOUT



SECTION X-X
STYLE I



STYLE II

mat'l. code				tolerances unless otherwise specified			CUSTOMER COPY		 www.fcjconnect.com		
ltr	ecn no	dr	date	linear	.X ± 0.3		projection	 title MODULEMATE CONNECTOR ASSEMBLY			
K					.XX ± 0.13						
					.XXX ± 0.05						
				angles	0° ± 2°		 MM A3	product family MODULEMATE		code	
				dr	KENNY TAI	05/09/01		size		dwg no	sheet
				enr	KENNY TAI	05/09/01		95747		3 of	
				chr	KENNY TAI	05/09/01					
				appd	PAUL WANG	05/09/01					
sheet	revision										
index	sheet										

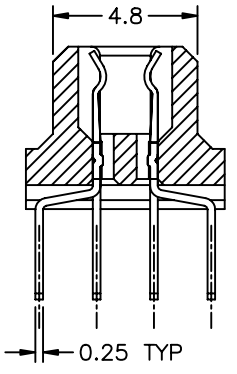
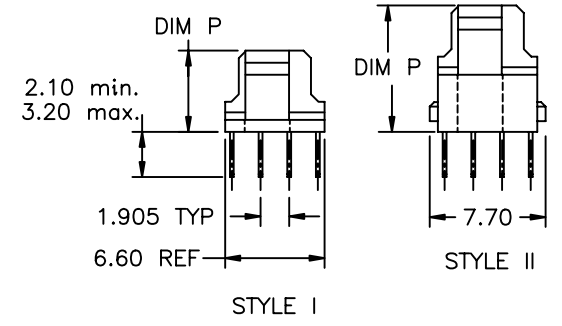
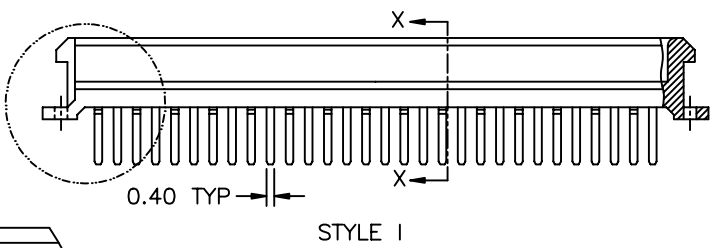
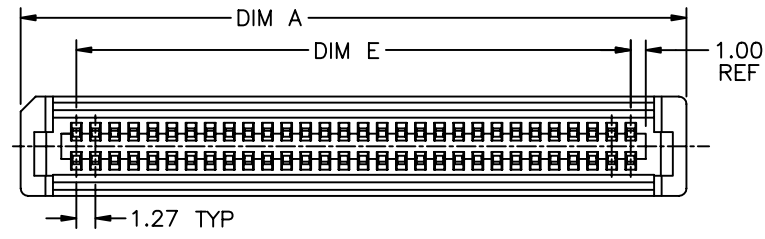
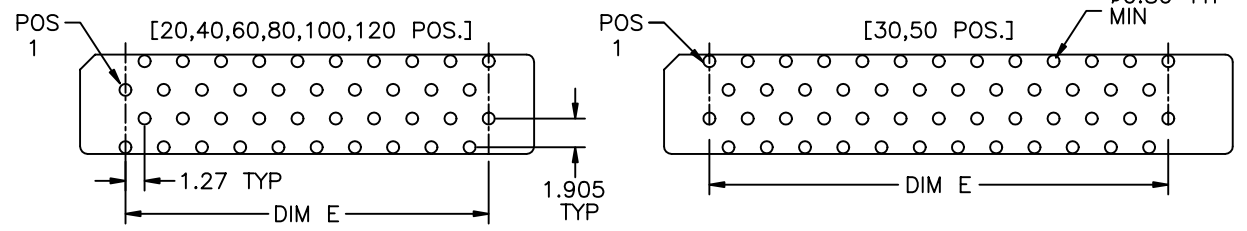
Tous droits réservés. Reproduction ou communication en tout ou en partie sans autorisation écrite du propriétaire.
 Property © FCJ ELECTRONICS.
 Copyright © FCJ ELECTRONICS by

All rights strictly reserved. Reproduction or communication in any form or by any means without written authority from the proprietor.
 Property © FCJ ELECTRONICS.
 Copyright © FCJ ELECTRONICS by

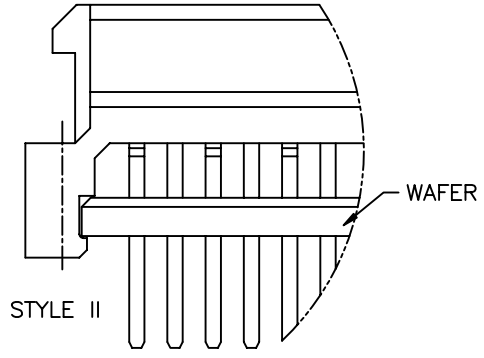
PRODUCT NUMBER	POS.	DIM A	DIM E	DIM P	TYPE	COMMENTS	
95759-022	20	18.83	11.43	5.4	STYLE I	AVAILABLE	
-032	30	25.18	17.78	↑		NOT TOOLED	
-042	40	31.53	24.13				
-052	50	37.88	30.48				
-062	60	44.23	36.83			AVAILABLE	
-082	80	56.93	49.53				
-102	100	69.63	62.23	↓			
95759-122	120	82.33	74.93	5.4	STYLE I		
95759-023	20	18.83	13.43	6.4		STYLE I	NOT TOOLED
-033	30	25.18	19.78	↑			
-043	40	31.53	26.13				
-053	50	37.88	32.48				
-063	60	44.23	38.83				
-083	80	56.93	51.53	↓			
-103	100	69.63	64.23	↓			
95759-123	120	82.33	76.93	6.4	STYLE II		
95759-025	20	18.83	13.43	8.4		STYLE II	
-035	30	25.18	19.78	↑			
-045	40	31.53	26.13				
-055	50	37.88	32.48				
-065	60	44.23	38.83				
-085	80	56.93	51.53	↓			
-105	100	69.63	64.23	↓			
95759-125	120	82.33	76.93	8.4			

VERTICLE RECEPTACLE WITHOUT HOOK
 SHOWN ON THIS SHEET

RECOMMENDED PCB LAYOUT



STYLE I
SECTION X-X
4/1

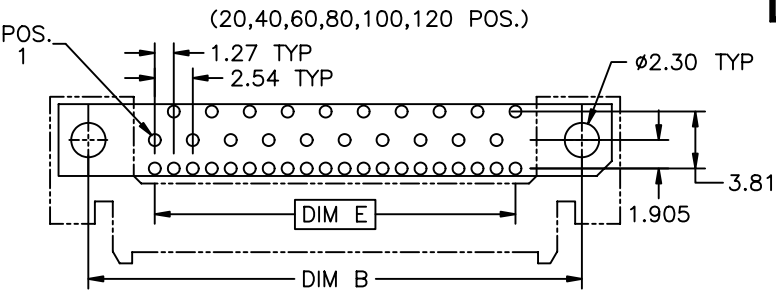


STYLE II

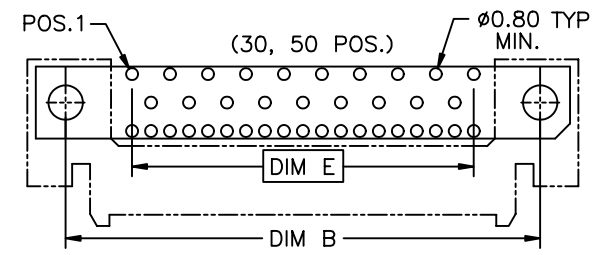
mat'l. code				tolerances unless otherwise specified			CUSTOMER COPY		 www.fcjconnect.com		
ltr	ecn no	dr	date	linear	.X ± 0.3	projection		title		code	
J					.XX ± 0.13			MODULEMATE			size
				angles	.XXX ± 0.05			CONNECTOR ASSEMBLY			
					0°±2°	MM	product family	MODULEMATE	sheet		
				dr	KENNY TAI	05/09/01	scale	A3	95747	4 of	
				enr	KENNY TAI	05/09/01					
				chr	KENNY TAI	05/09/01					
				appd	PAUL WANG	05/09/01					
sheet index	revision sheet										

These details are for reference only. Reproduction or communication of these details without the written authority of the proprietor, FCI, is prohibited. Copyright © 2010 FCI. All rights reserved. Reproduction or use to third parties in any form without the written authority of the proprietor, FCI, is prohibited.

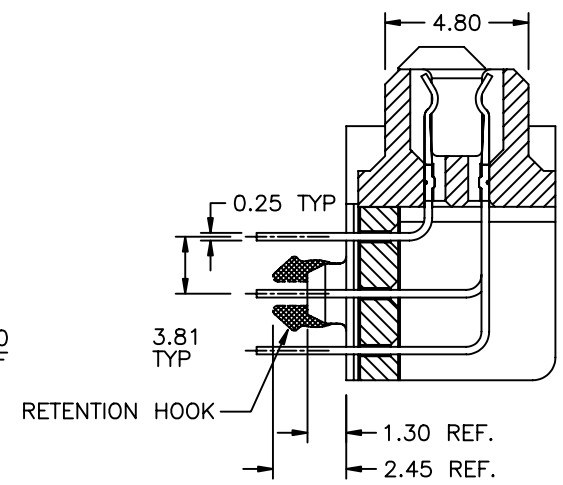
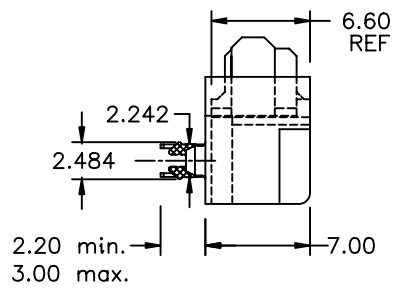
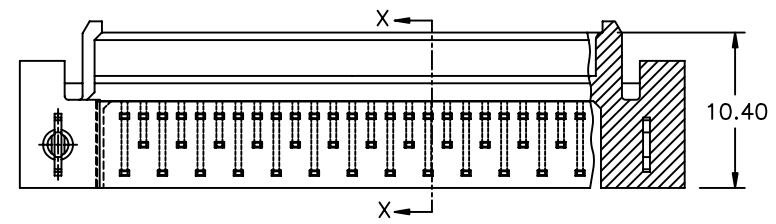
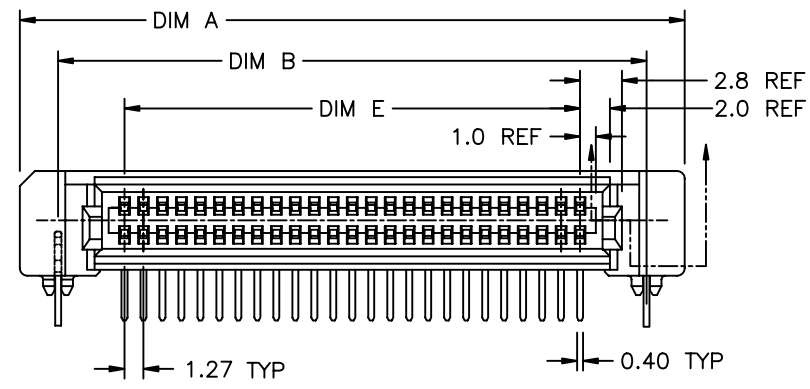
PRODUCT NO.	POS.	DIM A	DIM B	DIM E	COMMENTS
95757-028	20	25.43	20.32	11.43	NOT TOOLED
-038	30	31.78	26.67	17.78	
-048	40	38.13	33.02	24.13	
-058	50	44.48	39.37	30.48	
-068	60	50.83	45.72	36.83	
-088	80	63.53	58.42	49.53	
-108	100	76.23	71.12	62.23	
95757-128	120	88.93	83.82	74.93	



RIGHT ANGLE RECEPTACLE WITH HOOK SHOWN ON THIS SHEET



RECOMMENDED PCB LAYOUT

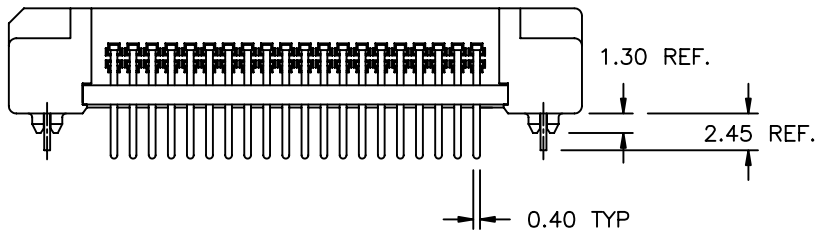
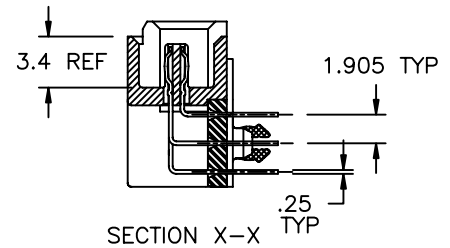
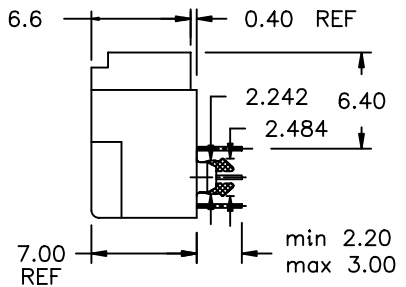
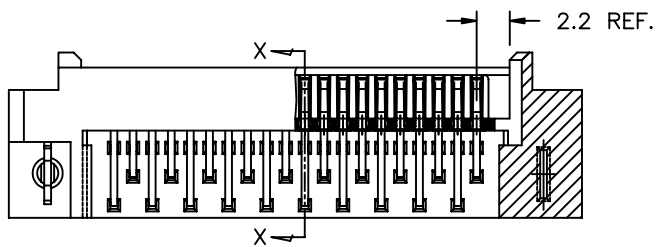
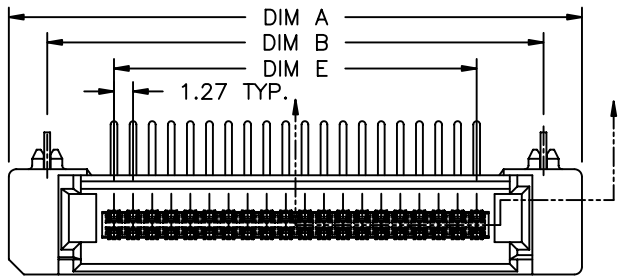
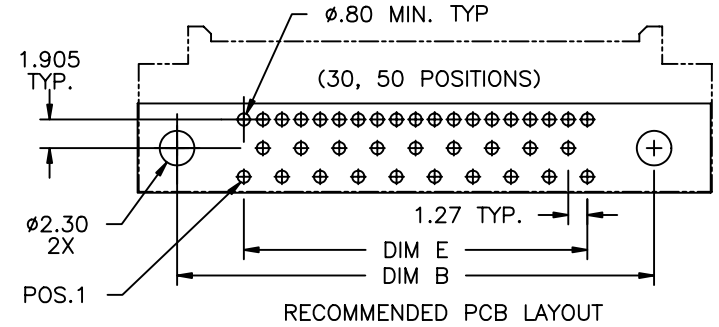
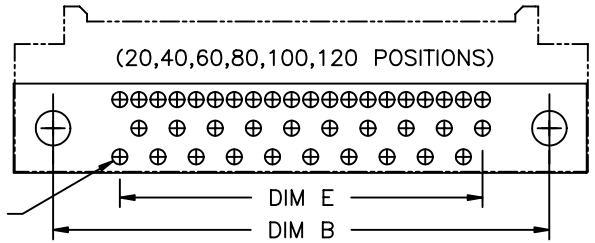


SECTION X-X
4/1

mat'l. code				tolerances unless otherwise specified			CUSTOMER COPY		 www.fciconnect.com		
ltr	ecn no	dr	date	linear	.X ± 0.3		projection	 title MODULEMATE CONNECTOR ASSEMBLY			
J					.XX ± 0.13						
					.XXX ± 0.05						
				angles	0° ± 2°		 MM A3	product family MODULEMATE		code	
				dr	KENNY TAI	05/09/01		size	dwg no		sheet
				engr	KENNY TAI	05/09/01		95747		5 of	
				chr	KENNY TAI	05/09/01					
				appd	PAUL WANG	05/09/01					
sheet index	revision sheet										

PRODUCT NO.	POS.	DIM A	DIM B	DIM E	COMMENTS
95747-028/028LF	20	25.43	20.32	11.43	AVAILABLE
-038	30	31.78	26.67	17.78	NOT TOOLED
-048	40	38.13	33.02	24.13	AVAILABLE
-058	50	44.48	39.37	30.48	
-068	60	50.83	45.72	36.83	
-088	80	63.53	58.42	49.53	NOT TOOLED
-108	100	76.23	71.12	62.23	
95747-128	120	88.93	83.82	74.93	

RIGHT ANGLE HEADER WITH HOOK
SHOWN ON THIS SHEET



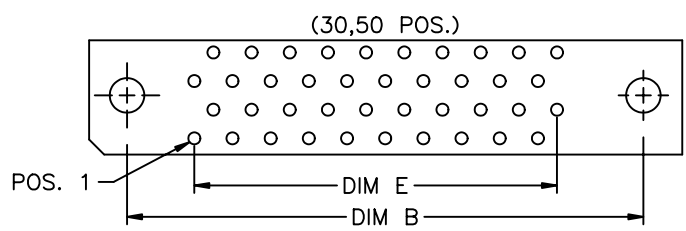
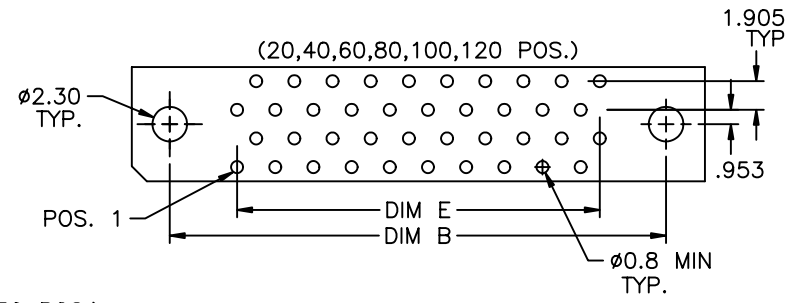
mat'l. code				tolerances unless otherwise specified			CUSTOMER COPY		 www.fcjconnect.com		
ltr	ecn no	dr	date	linear	.X ± 0.3		projection	 title MODULEMATE CONNECTOR ASSEMBLY			
K					.XX ± 0.13						
					.XXX ± 0.05						
				angles	0° ± 2°		 MM	product family MODULEMATE		code	
				dr	KENNY TAI	05/09/01		 scale ---	size		sheet
				enr	KENNY TAI	05/09/01			A3	dwg no	
				chr	KENNY TAI	05/09/01	95747				
				appd	PAUL WANG	05/09/01					
sheet	revision										
index	sheet										

Tous droits réservés. Reproduction ou communication sans autorisation écrite de l'auteur est formellement interdite.

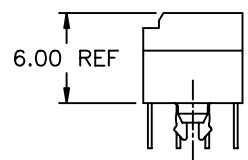
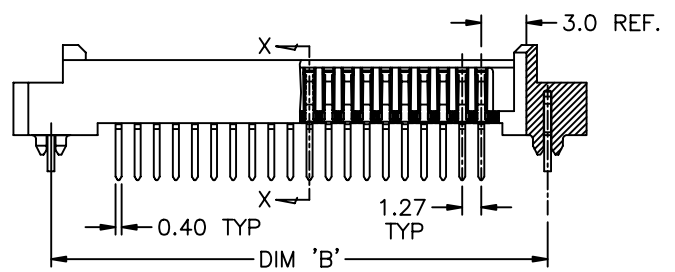
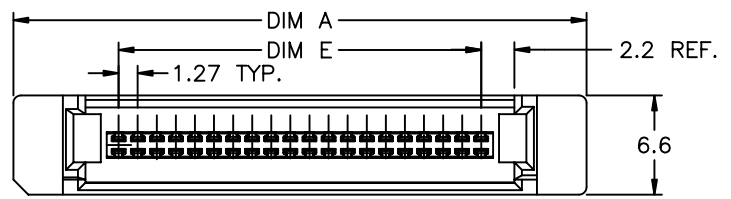
All rights reserved. Reproduction or communication without written authority from the proprietor is expressly prohibited.

PRODUCT NO.	POS.	DIM A	DIM B	DIM E	STYLE	COMMENTS
95748-025	20	25.43	20.32	11.43	STYLE I	NOT TOOLED
-035	30	31.78	26.67	17.78		
-045	40	38.13	33.02	24.13		
-055	50	44.48	39.37	30.48		
-065	60	50.83	45.72	36.83		
-085	80	63.53	58.42	49.53		
-105	100	76.23	71.12	62.23		
95748-125	120	88.93	83.82	74.93	STYLE II	
95748-027	20	25.43	20.32	11.43		
-037	30	31.78	26.67	17.78		
-047	40	38.13	33.02	24.13		
-057	50	44.48	39.37	30.48		
-067	60	50.83	45.72	36.83		
-087	80	63.53	58.42	49.53		
-107	100	76.23	71.12	62.23		
95748-127	120	88.93	83.82	74.93		

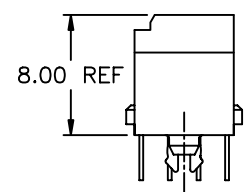
VERTICLE HEADER WITH HOOK
SHOWN ON THIS SHEET



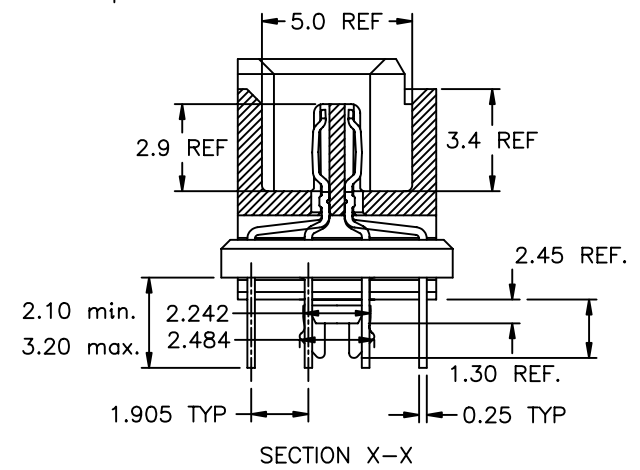
RECOMMENDED PCB LAYOUT



STYLE I



STYLE II



SECTION X-X

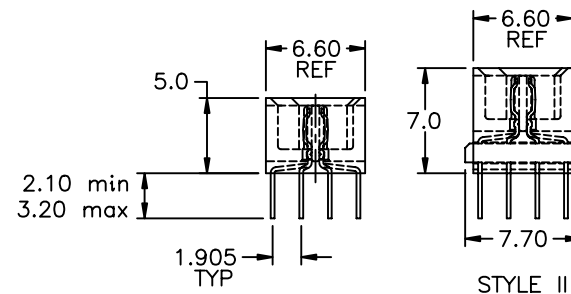
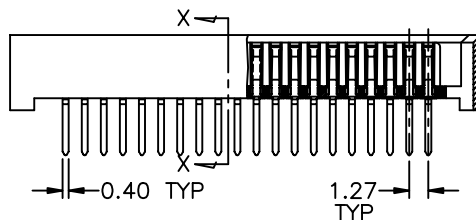
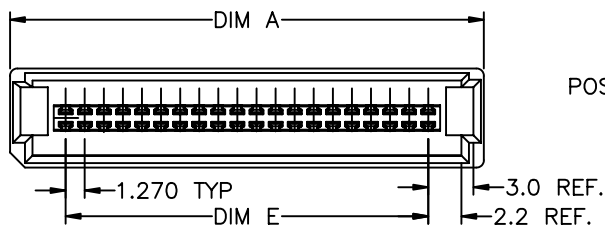
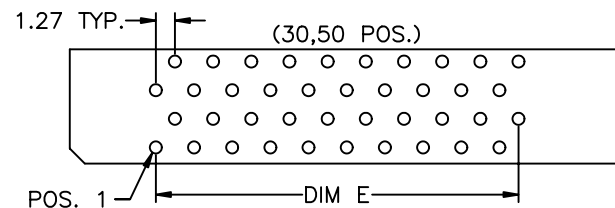
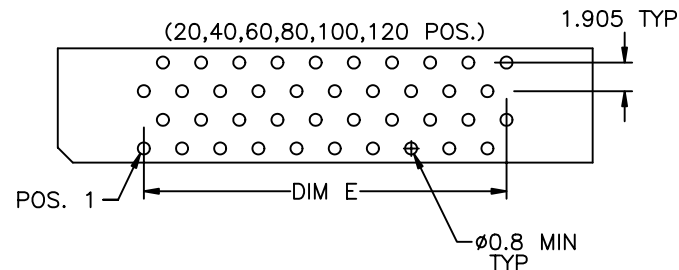
mat'l. code				tolerances unless otherwise specified			CUSTOMER COPY		 www.fciconnect.com	
ltr	ecn no	dr	date	linear	.X ± 0.3		projection	title		
J					.XX ± 0.13			MODULEMATE		
					.XXX ± 0.05			CONNECTOR ASSEMBLY		
				angles	0° ± 2°		 MM	product family	code	
				dr	KENNY TAI	05/09/01		size	dwg no	
				enr	KENNY TAI	05/09/01		A3	95747	
				chr	KENNY TAI	05/09/01				sheet
				appd	PAUL WANG	05/09/01	scale	7 of		
sheet	revision									
index	sheet									

This data is preliminary. Reproduction or communication of this form in any form or by any means is not permitted without written authority from the proprietor. Property © FCJ ELECTRONICS. Printed in Hong Kong.

All rights are reserved. Reproduction or use in any form is not permitted without written authority from the proprietor. Property © FCJ ELECTRONICS. Copyright © FCJ ELECTRONICS.

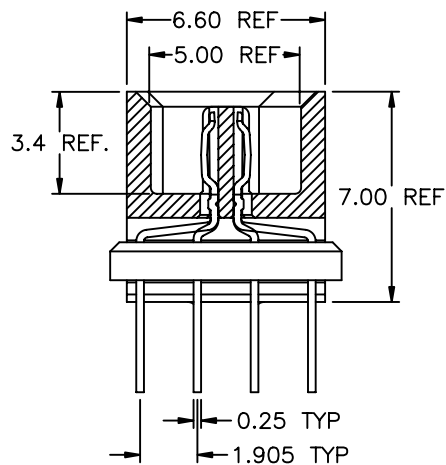
PRODUCT NO.	POS.	DIM A	DIM E	STYLE	COMMENTS	
95749-025	20	18.83	14.23	STYLE I	NOT TOOLED	
-035	30	25.48	20.58			
-045	40	31.53	26.93			
-055	50	37.88	33.28			
-065	60	44.23	39.63			
-085	80	56.93	52.33			
-105	100	69.63	65.03			
-125	120	82.33	77.73			
-027	20	18.83	14.23			STYLE II
-037	30	25.48	20.58			
-047	40	31.53	26.93			
-057	50	37.88	33.28			
-067	60	44.23	39.63			
-087	80	56.93	52.33			
-107	100	69.63	65.03			
95749-127	120	82.33	77.73			

VERTICLE HEADER WITHOUT HOOK SHOWN ON THIS SHEET

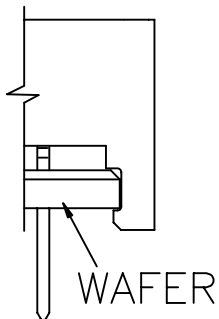


STYLE I

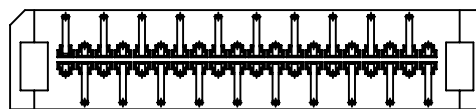
STYLE II



SECTION X-X



STYLE II
SCALE 4:1



mat'l. code				tolerances unless otherwise specified			CUSTOMER COPY		FCJ www.fciconnect.com	
ltr	ecn no	dr	date	linear	.X ± 0.3	projection	MM	title MODULEMATE CONNECTOR ASSEMBLY		
J					.XX ± 0.13					
					.XXX ± 0.05					
				angles	0° ± 2°			product family MODULEMATE		
		dr	KENNY TAI	05/09/01				size	dwg no	code
		enr	KENNY TAI	05/09/01				A3	95747	8 of
		chr	KENNY TAI	05/09/01						
		appd	PAUL WANG	05/09/01						
sheet	revision									
index	sheet									