

Roll-Up Door Bracket Kit for MAGNASPHERE HSS-L2 Models

Required Tools and Components

PROVIDED BY MANUFACTURER

(per module set)

[1] Magnet (T) Bracket
(with Magnet Module)

Part. No. 1450

[1] Switch Bracket (with Switch
Module and L-Bracket Assembly)

Part. No. 1451

[1] Hardware Pack for switch
and magnet bracket sets (screws,
washers, bolts, threaded inserts
and a light-duty threaded insert
installation tool.)

ROVIDED BY INSTALLER

Sharpie or other marking implement

Phillips head screwdriver

Adjustable wrench or socket set

Open end wrenches (for threaded
insert installation tool)

Center Punch

1/4 - 20 tap and appropriate drill
bit (#7 or 7/32")

Tap Handle

Electric Drill

Threaded insert
installation tool (basic)

Basic hand tools

GENERAL INFORMATION

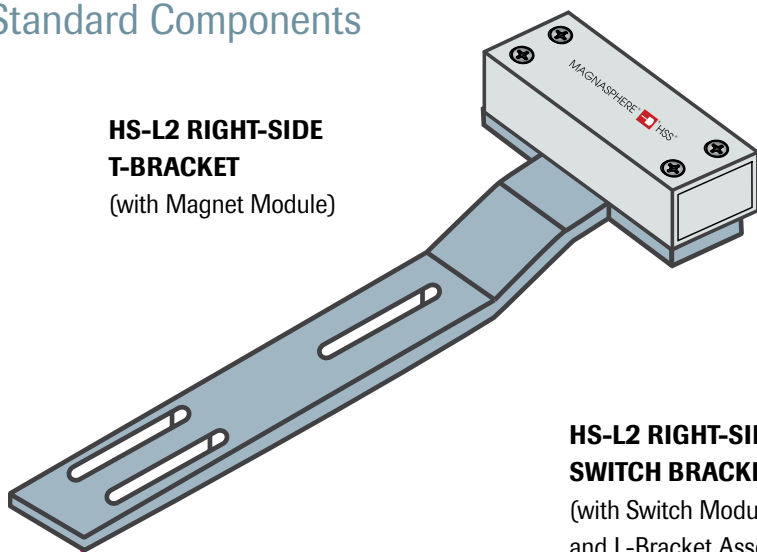
Loctite may be used if desired.
Blue (releasable) Loctite is
recommended if used.

Locate incoming cable and
junction box within reach of the
armored cable on the switch.

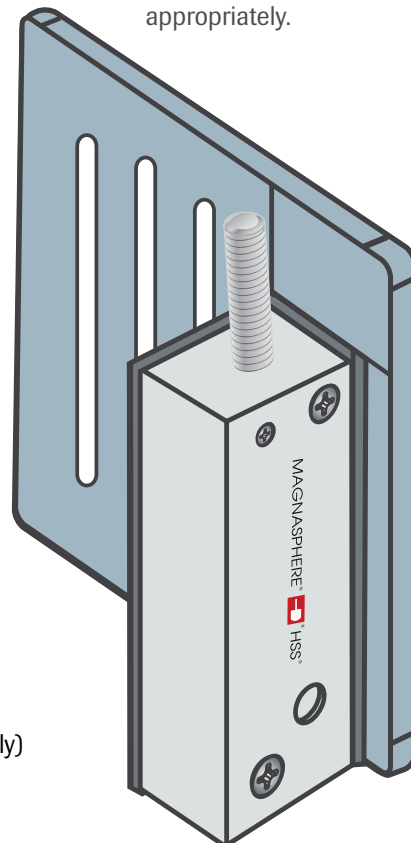
Make sure installation does
not cause a trip hazard. Fasten
the installed armored called
appropriately.

Standard Components

**HS-L2 RIGHT-SIDE
T-BRACKET**
(with Magnet Module)



**HS-L2 RIGHT-SIDE
SWITCH BRACKETS**
(with Switch Module
and L-Bracket Assembly)



Roll-Up Door Bracket Kit for MAGNASPHERE HSS-L2 Models

SPECIAL NOTE: Right-side bracket sets are shown above (Left-hand installations are opposite orientation).

Adjustments

This bracket system allows adjustment in all three axes (x, y and z). It also allows for alignment of the switch to the magnet if the magnet cants in or out as the door closes.

Adjust the magnet and switch so that they are even alignment, with a gap of approximately 1/6" to 1/8". A larger gap may be acceptable on doors that are "sloppy".

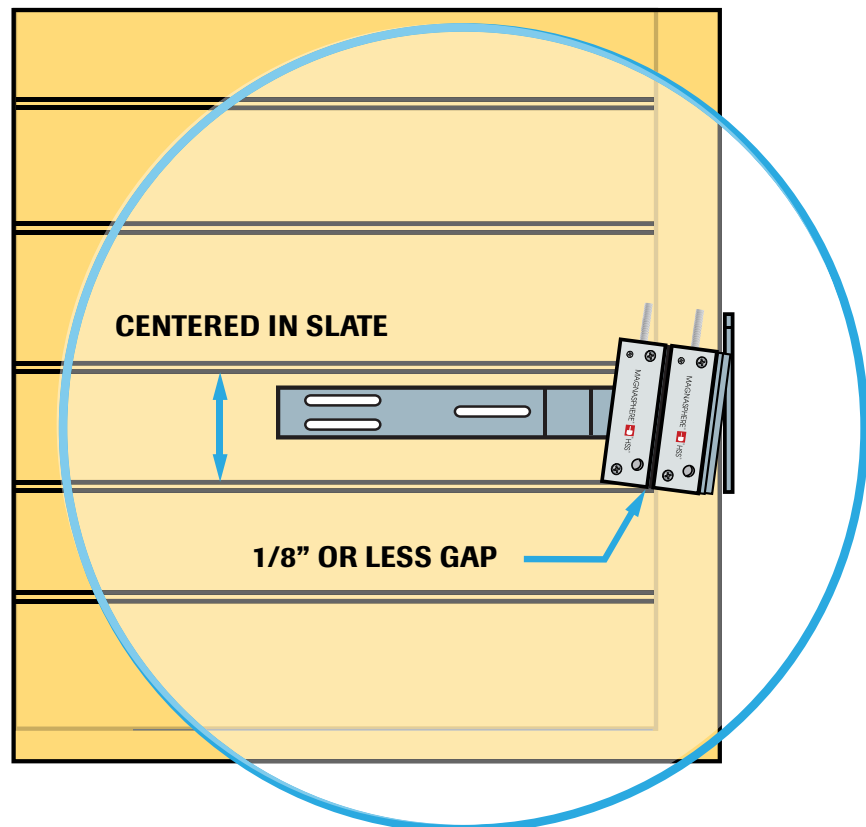
It may be easiest to do final adjustment on the bracket before wiring the switch up to the system. Using a multimeter, open the door until the switch's contacts "break". If you are satisfied, no further adjustment is necessary. You can adjust the break point up or down by moving the switch bracket up or down on the door frame. Once a suitable "break" point is found, re-adjust the magnet closer or farther from the switch and re-test.

STEP 1: Mark Installation Position on the Door Frame

- Using an assistant (or two), position the magnet and switch brackets on the door and frame. Using a sharpie or similar, mark the slots on the door and the frame while holding the brackets firmly in place.

SPECIAL NOTE:

Make sure you maintain the orientation shown on the sketch.



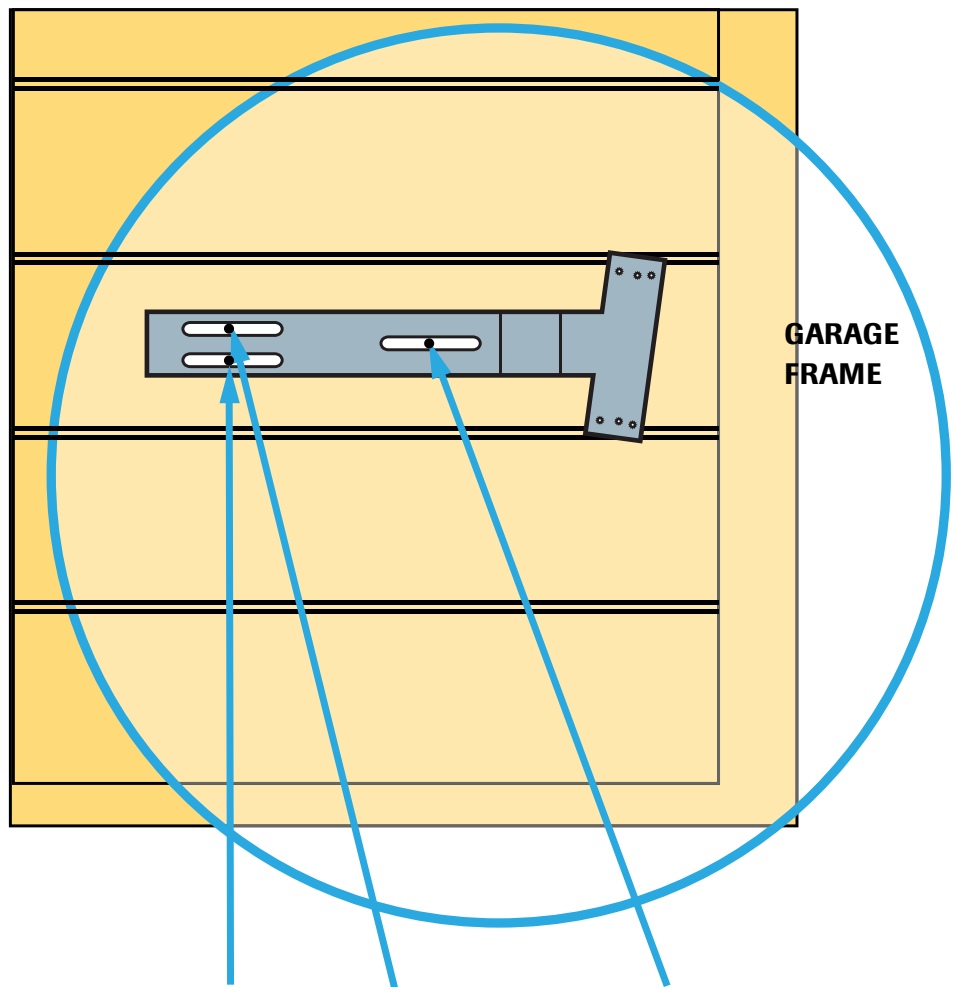
Roll-Up Door Bracket Kit for MAGNASPHERE HSS-L2 Models

STEP 2: Install Magnet Bracket to Door

For hollow door stats:

Bracket Orientation as shown: Front of the door, left side.

1. Using a center punch, mark the holes for drilling at about the middle of the slot. Drill a hole with 3/8" drill bit. Hole can be little "loose".
2. Insert the thread insert in to the hole. If the material is thicker, the hole will need to be enlarged.
3. Optionally, end user 1/4 - 20 hardware can be substituted for the insert if the door is not hollow. (Bolt and nut, carriage bolt and nut, etc.)
4. When installed properly, the magnet part of the bracket should "float" on front of the door frame. Depending on the door construction, it may be required to shim the bracket away from the door. Use 1/4" washers behind the bracket and longer 1/4 - 20 bolts (not included).



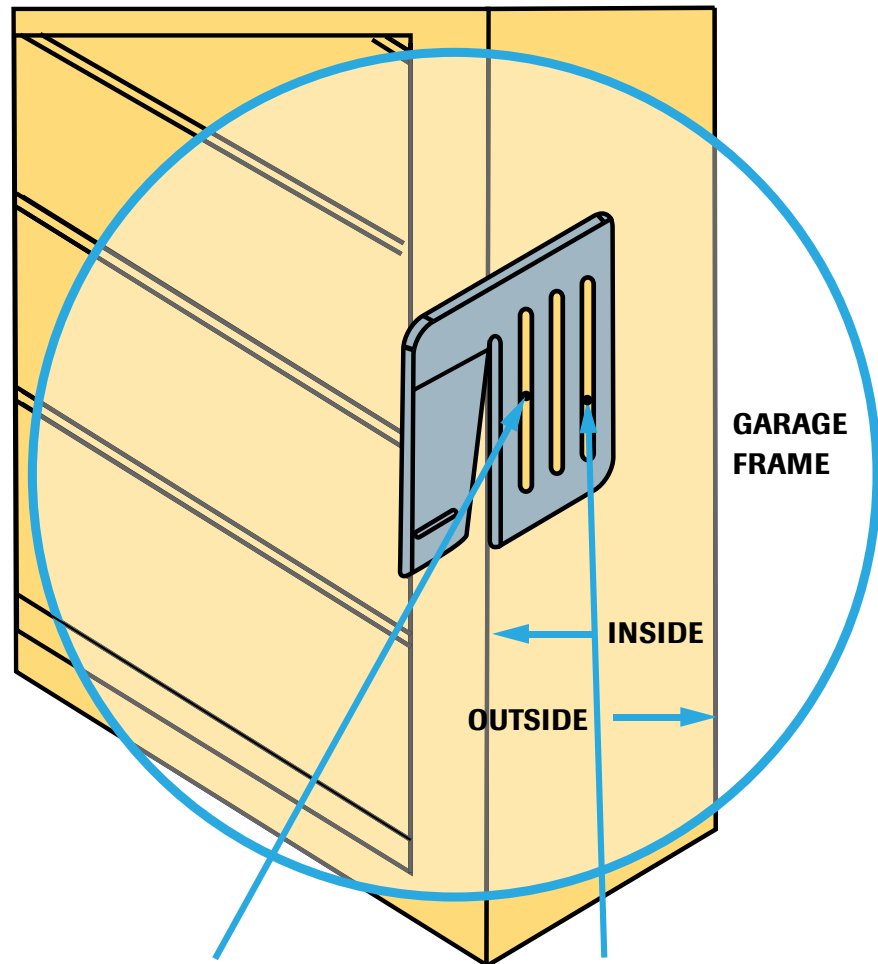
1. Mark the hole placement using the bracket as a stencil.

2. Punch and drill (3/8") holes, for the threaded inserts.

Roll-Up Door Bracket Kit for MAGNASPHERE HSS-L2 Models

STEP 3: Install Switch Bracket to Door Frame

1. You are going to drill two holes in the frame and tap them. Inspect your door frame before you drill. There are a couple of things that will make this easier.
2. The bolts cannot protrude into the frame very far, otherwise the door movement may be affected. (1/2" long hardware provided should be short enough so as not to protrude.)
3. Depending on the construction of your frame, there may be two or more layers of metal to drill and tap. More metal means more effort and the potential to break the tap in the frame. Try to choose drill sites with only one layer of metal if possible.
4. Once holes are tapped and cleaned out, install the switch bracket to the frame using 1/4" - 20 Bolts and Lock Washers.



1. Mark the hole location
2. Drill and Tap 1/4" - 20

3. Attach Bracket to the frame using 1/4" - 20 x 1/2" Bolts

SPECIAL NOTE: Tapping Process

1. Tap by hand, **DO NOT** try to use a power drill on the tap. Power tapping will increase the likelihood of the tap breaking.
2. Use oil frequently.
3. If cutting threads becomes difficult with the tap beyond its useful life. Taps are relatively inexpensive. Replace the tap after every 3 or 4 holes.
4. Taps are wearable items. **DO NOT** use a tap beyond its useful life. Taps are relatively inexpensive. Replace the tap after every 3 or 4 holes.