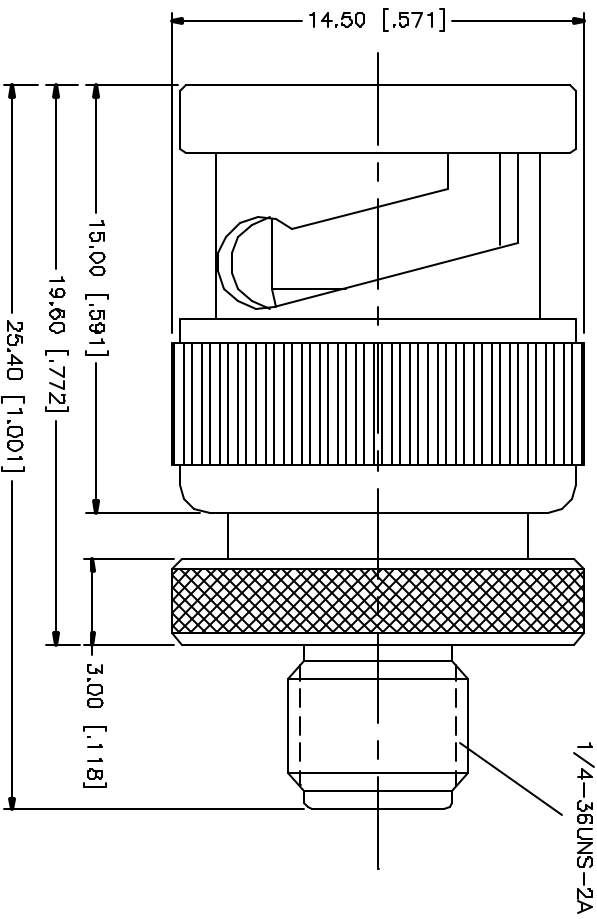


REV.	DATE	DESCRIPTION
A	03/27/05	UPDATE DRAWING'S FORMAT



NO.	DESCRIPTION	MATERIAL	FINISH	QTY	UNLESS OTHERWISE SPECIFIED DIMENSIONS ARE IN MILLIMETERS DIMENSIONS IN [] ARE IN INCHES AND FOR CUSTOMER REFERENCE ONLY.	UNLESS OTHERWISE SPECIFIED TOLERANCES FOR MILLIMETERS ARE:	UNLESS OTHERWISE SPECIFIED TOLERANCES FOR INCHES ARE:	APPROVALS	DATE	PART DESCRIPTION
1	CONTACT PIN	PHOS. BRONZE	GOLD	1		0.5 - Bore ± 0.20mm	0.00	G.R.S.	03/27/05	SMA FEMALE TO BNC MALE ADAPTER
2	INSULATOR	TEFLON	NATURAL	1		8 - 30mm ± 0.40mm	.315 - 1.180 ± 0.015"			
1	BODY	BRASS	GOLD	1		30 - 120mm ± 0.50mm	1.780 - 4.724 ± 0.020"			
	DESCRIPTION	MATERIAL	FINISH	QTY	DO NOT SCALE DRAWING					

Amphenol Connex

APPROVALS	DATE
DRAWN G.R.S.	03/27/05
CHECKED	
RELEASD	
SHEET 1 OF 1	

QAD FILE	C:/242/242103.DWG
DWG. NO.	242103.DWG
REV.	A
SIZE	A
SCALE	NA
PART NO.	242103