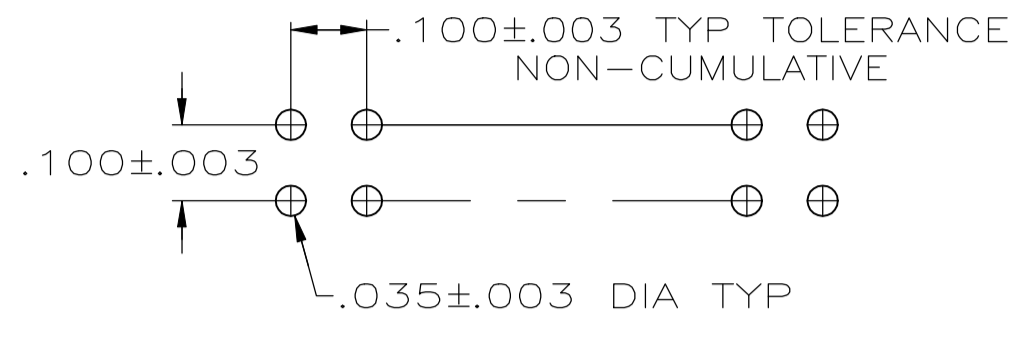
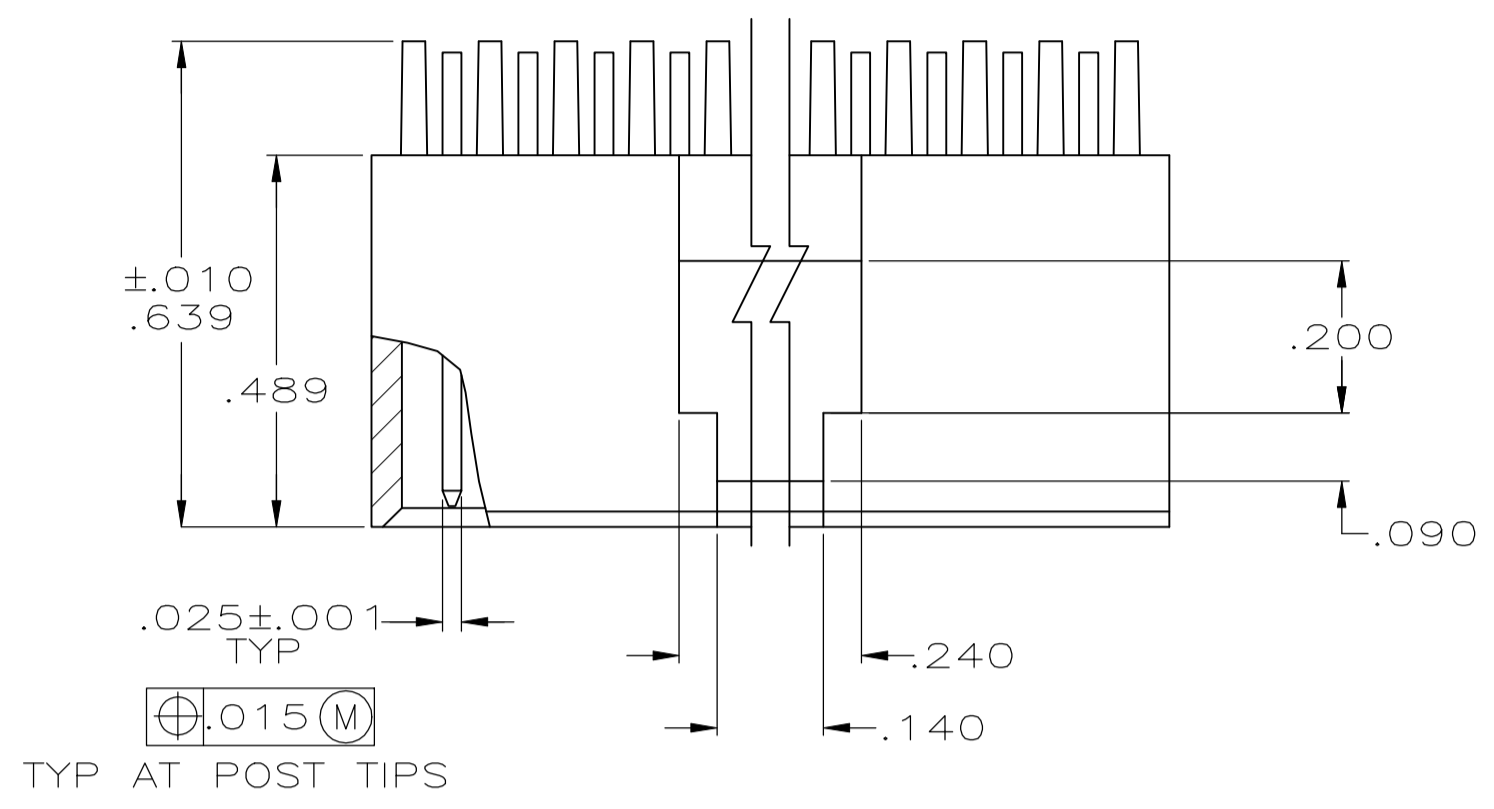
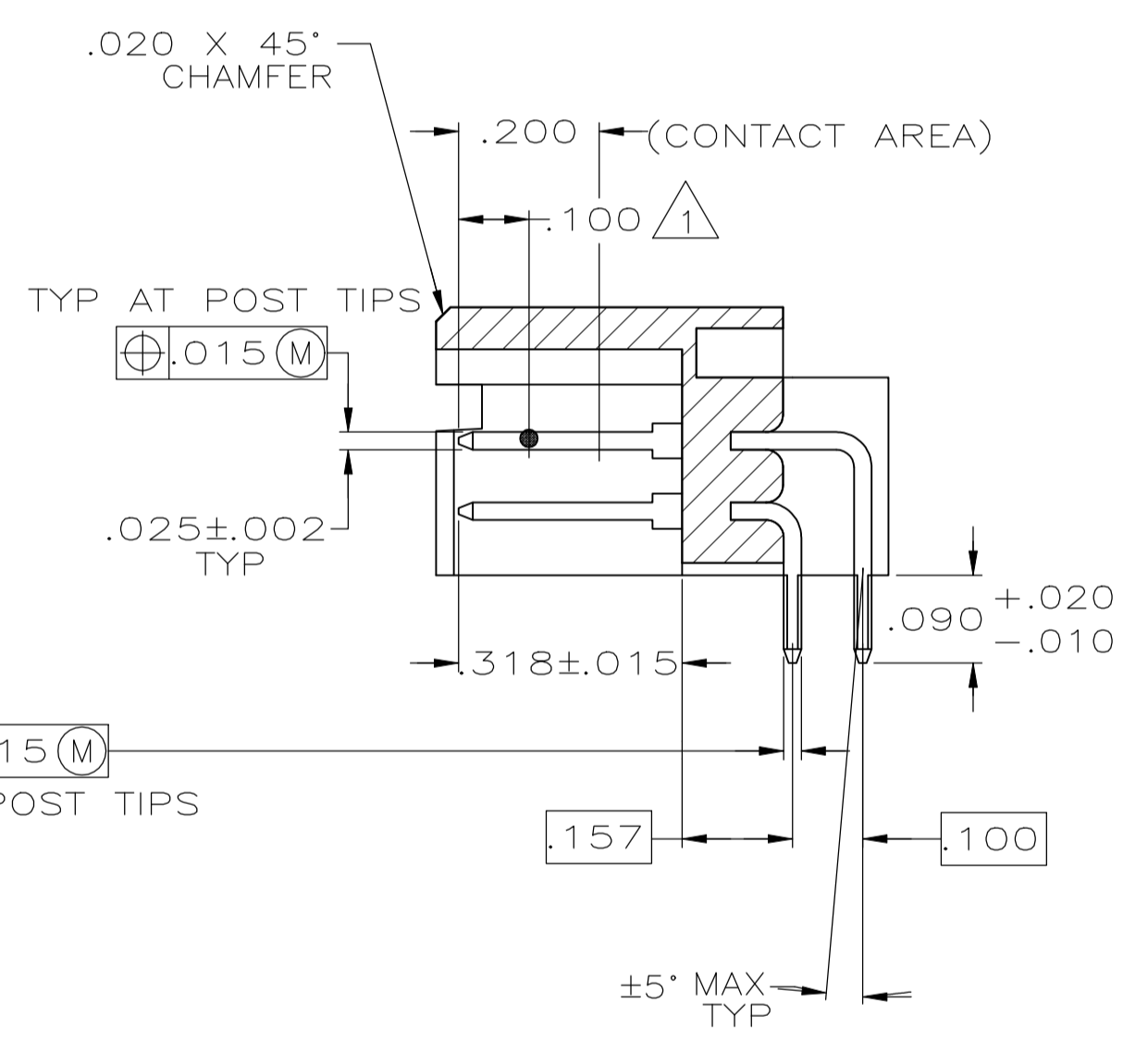
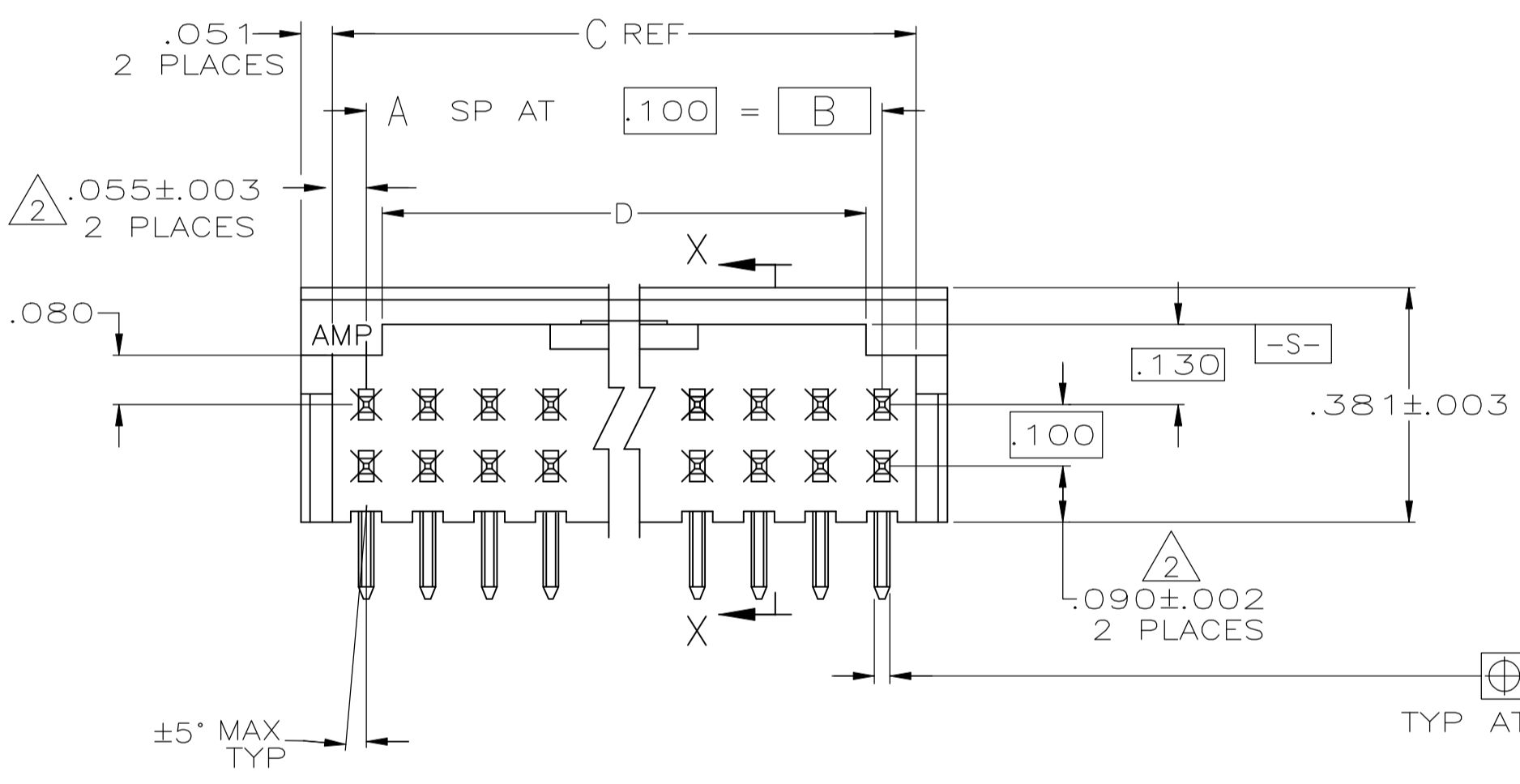


REVISIONS					
P	LTR	DESCRIPTION	DATE	DRN	APVD
E1		PART STATUS UPATED IN PART LIST TABLE	16FEB2018	SD	PS



RECOMMENDED HOLE LAYOUT



SECTION X-X

- 1 POINT OF MEASUREMENT FOR PLATING THICKNESS.
- 2 THE NOTED DIMENSION APPLIES AT THE INTERSECTION OF THE POST AND HOUSING
- 3 .000100-.000200 MATTE TIN-LEAD OVER .000050 NICKEL ENTIRE POST
- 4 .000100-.000200 MATTE TIN OVER .000050 NICKEL ENTIRE POST
- 5 HOUSING: FLAME RETARDANT THERMOPLASTIC COLOR: BLACK POSTS: PHOS. BRONZE
- 6 PRELIMINARY PART - NOT RELEASED FOR PRODUCTION.
- 7 OBSOLETE

	4	.648	.810	.700	7	16	5-146247-1
	4	1.148	1.310	1.200	12	26	-146247-2-
	7	.648	.810	.700	7	16	-146247-1-
PLATING	D	C	B	A	NO OF POSN	PART NUMBER	

THIS DRAWING IS A CONTROLLED DOCUMENT. DWN: R.K. SEIFRIED/UTA 01/03/95
 DRN: J. KNITTLE 2/28/95
 APVD: J. KNITTLE 2/28/95

STE TE Connectivity

HDR ASSY., MOD II, DR, .100 X .100CL RT ANGLE, (3) SIDED SHROUD HIGH TEMPERATURE

SIZE: A1 CAGE CODE: 00779 DRAWING NO: 146247 RESTRICTED TO: -
 SCALE: 4:1 SHEET: 1 OF 1 REV: E1

MATERIAL: 5 FINISH: SEE TABLE WEIGHT: - CUSTOMER DRAWING