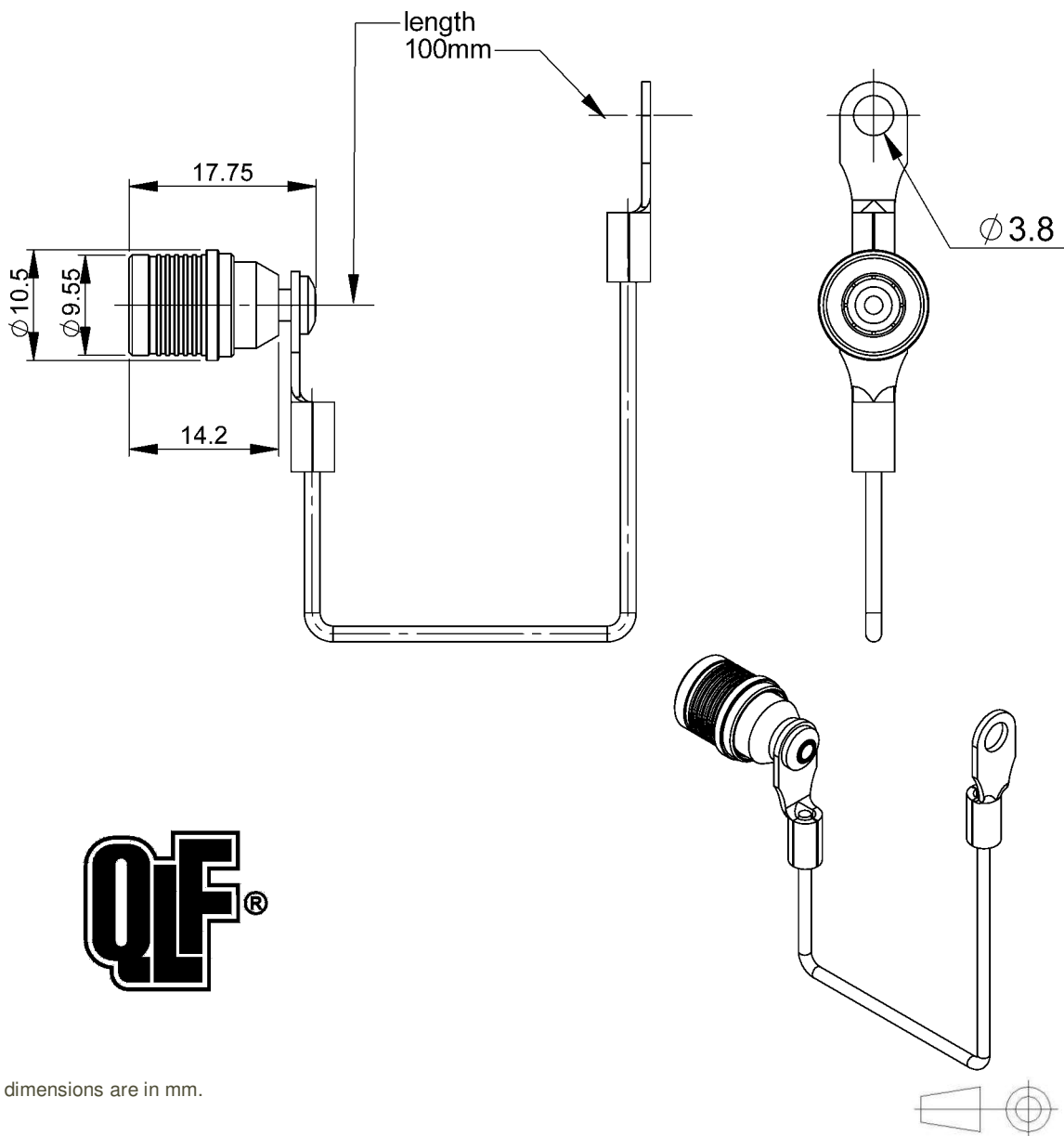


PAGE 1/2	ISSUE 15-05-15B	SERIES <b>QMA</b>	PART NUMBER <b>R123805000</b>
----------	-----------------	-------------------	-------------------------------



All dimensions are in mm.

COMPONENTS	MATERIALS	PLATING (μm)
Body	<b>BRASS</b>	<b>BBR</b>
Center contact	-	-
Outer contact	<b>BRONZE</b>	<b>BBR</b>
Insulator	-	-
Gasket	-	-
Others parts	-	-
-	-	-
-	-	-

PAGE 2/2	ISSUE <b>15-05-15B</b>	SERIES <b>QMA</b>	PART NUMBER <b>R123805000</b>
----------	------------------------	-------------------	-------------------------------

**PACKAGING**

Standard	Unit	Other
<b>100</b>	<b>Contact us</b>	<b>Contact us</b>

**ELECTRICAL CHARACTERISTICS**

Impedance	<b>NA</b>	$\Omega$
Frequency	<b>NA</b>	GHz
VSWR	<b>+</b> <b>0.0000</b>	x F(GHz) Maxi
Insertion loss	<b>NA</b>	$\sqrt{F}$ (GHz) dB Maxi
RF leakage	<b>- (</b> <b>NA</b>	- F(GHz)) dB Maxi
Voltage rating	<b>NA</b>	Veff Maxi
Dielectric withstanding voltage	<b>NA</b>	Veff mini
Insulation resistance	<b>NA</b>	M $\Omega$ mini

**ENVIRONMENTAL**

Operating temperature	<b>-55/+125</b>	$^{\circ}\text{C}$
Hermetic seal	<b>NA</b>	Atm.cm3/s
Panel leakage	<b>NA</b>	

**SPECIFICATION**

**MECHANICAL CHARACTERISTICS**

Center contact retention		
Axial force – Mating End	<b>NA</b>	N mini
Axial force – Opposite end	<b>NA</b>	N mini
Torque	<b>NA</b>	N.cm mini
Recommended torque		
Mating	<b>NA</b>	N.cm
Panel nut	<b>NA</b>	N.cm
Mating life	<b>100</b>	Cycles mini
Weight	<b>6.6500</b>	g

**OTHER CHARACTERISTICS**

Assembly instruction:

Others: