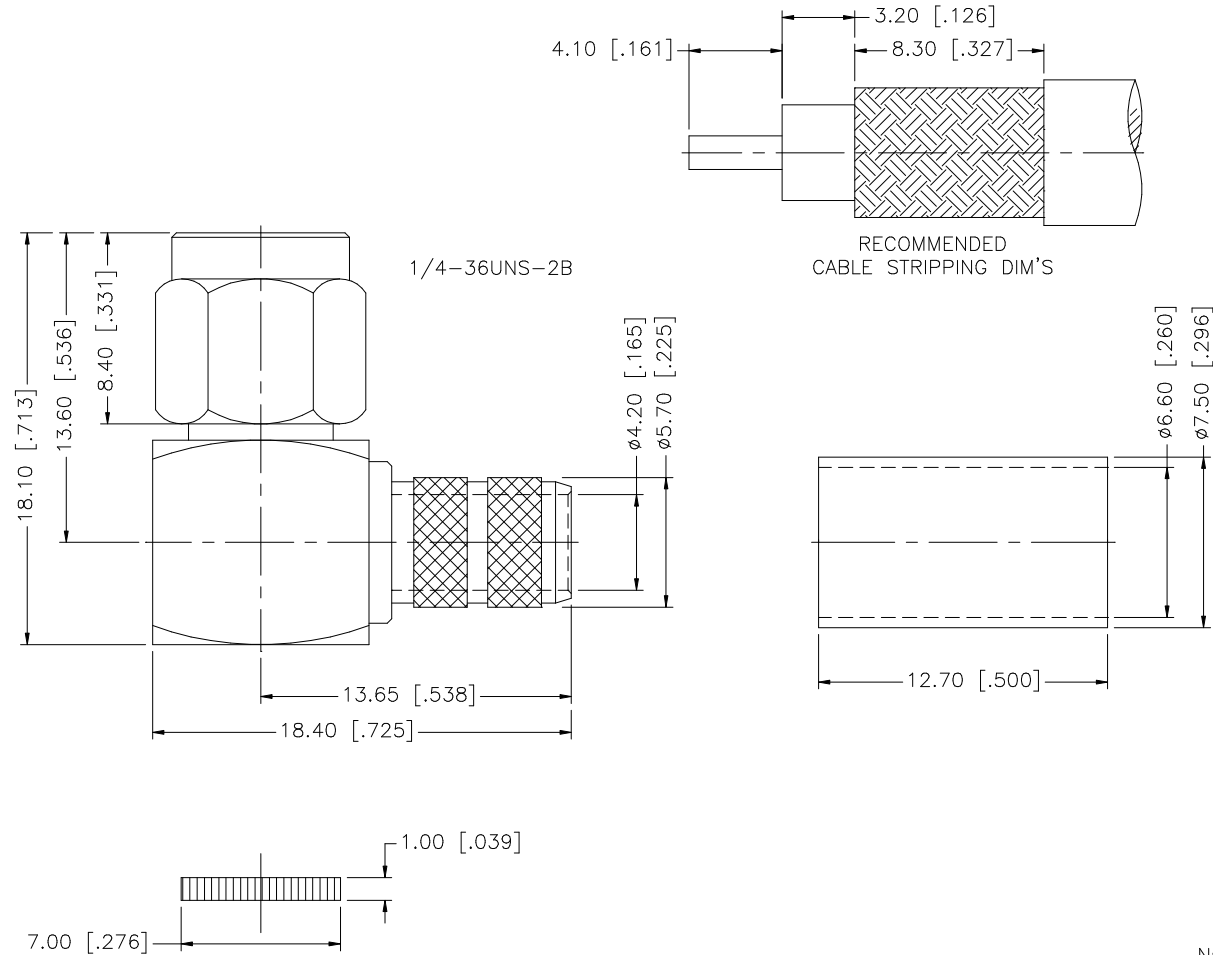


REV.	DATE	DESCRIPTION
A	01/25/04	UPDATE DRAWING FORMAT



NOTE:
1. CRIMPED FERRULE
HEX CRIMP SIZE .255"

DESCRIPTION	MATERIAL	FINISH	QTY	DO NOT SCALE DRAWING	APPROVALS	DATE	PART DESCRIPTION	PART NO.	DWG. NO.	REV.	SIZE	SCALE	
8							<h1 style="color: blue; margin: 0;">Amphenol Connex</h1> <p style="text-align: center; margin: 0;">SMA R/A CRIMP PLUG (FOR RG-8X, LMR-240)</p>	132239	132239.DWG	A	A	NA	
7					DRAWN	G.R.S.							01/25/04
6					CHECKED								
5	FERRULE	COPPER	GOLD	1	ISSUED								
4	COVER	BRASS	GOLD	1	SHEET	1 OF 1							
3	CONTACT PIN	BRASS	GOLD	1	CAD FILE	C:/132/132239.DWG							
2	INSULATOR	TEFLON	NATURAL	1	<small>UNLESS OTHERWISE SPECIFIED DIMENSIONS ARE IN MILLIMETERS. DIMENSIONS IN [] ARE IN INCHES AND FOR CUSTOMER REFERENCE ONLY.</small> <small>UNLESS OTHERWISE SPECIFIED TOLERANCES FOR MILLIMETERS ARE:</small> 0.5 - 8mm ± 0.20mm 8 - 30mm ± 0.40mm 30 - 120mm ± 0.50mm <small>UNLESS OTHERWISE SPECIFIED TOLERANCES FOR INCHES ARE:</small> .020 - .315 = ± 0.007" .315 - 1.180 = ± 0.015" 1.180 - 4.724 = ± 0.020"								
1	BODY	BRASS	GOLD	1									