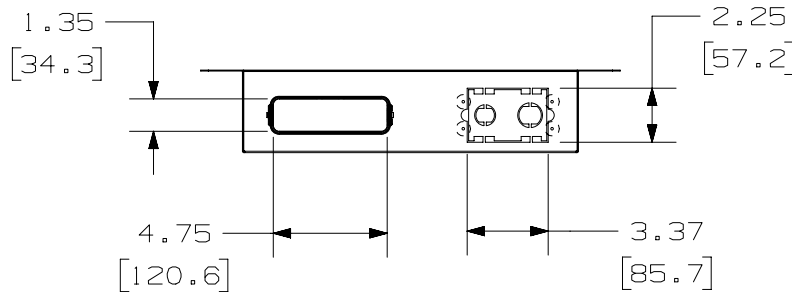
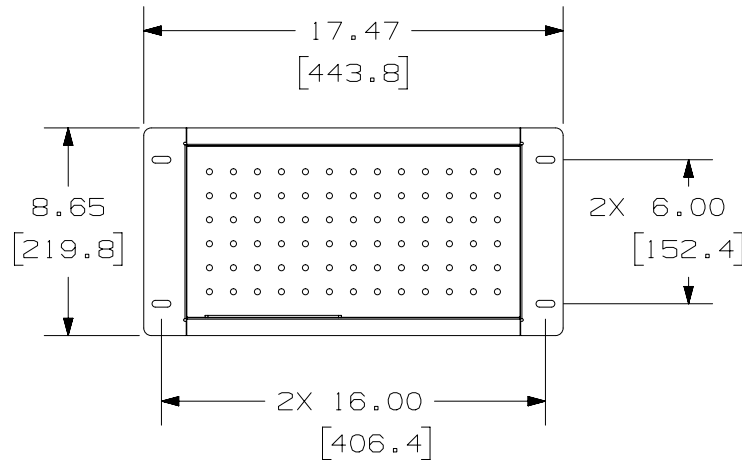
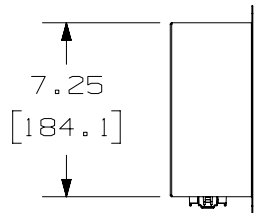
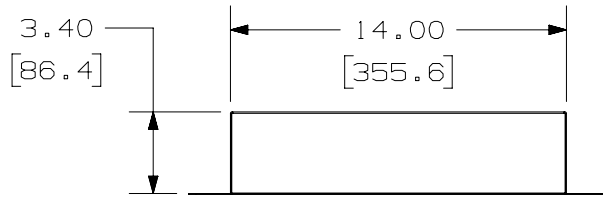
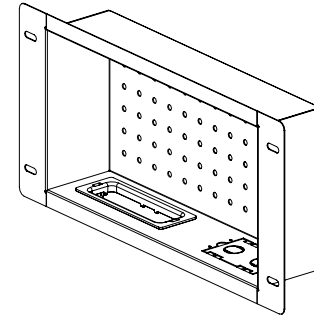


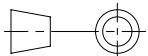
THIS COPY IS PROVIDED ON A RESTRICTED BASIS AND IS NOT TO BE USED IN ANY WAY DETRIMENTAL TO THE INTERESTS OF PANDUIT CORP.



NOTES:

1. VISIT OUR ON-LINE CATALOG AT WWW.PANDUIT.COM FOR A LIST OF CURRENT PARTS APPLICABLE FOR USE WITH THIS PRODUCT.
2. DIMENSIONS IN ( ) ARE METRIC.
3. ALL MATERIALS AND COMPONENTS USED MEET THE MATERIAL RESTRICTIONS OF RoHS (EUROPEAN DIRECTIVE 2011/65/EU ON THE RESTRICTION OF HAZARDOUS SUBSTANCES) AS PROPOSED BY THE RoHS TECHNICAL ADAPTATION COMMITTEE.
4. WEIGHT: 2.26 LB (1025.12 g)
5. PART INCLUDES:
  - 1 - AV IN WALL BOX
  - 1 - CABLE PASS-THRU BEZEL
  - 2 - RELEASABLE PUSH MOUNT CABLE TIES



PART NUMBER		CMBBSWH										
TITLE		AV IN WALL BOX, SMALL										
		CUSTOMER DRAWING										
ITEM REVISION NAME		00101EBA/03										
DATASET FILE NAME		00101EBA_DC/03A										
		THIRD ANGLE PROJECTION										
MATERIAL		C.R.S.										
		DRAWING NUMBER										
		00101EBA-DC										
REV	DATE	BY	CHK	APR	DESCRIPTION	ECN	DRAWN BY	DATE	CHK	SCALE	SHEET	SIZE
03A	04/12/18	BSN	BSN	AMY	INITIAL RELEASE	00101EBA-DC	BSN	04/12/18	BSN	NONE	1 OF 1	A