

THIS DRAWING IS UNPUBLISHED.

RELEASED FOR PUBLICATION

,19

LDC

DIST

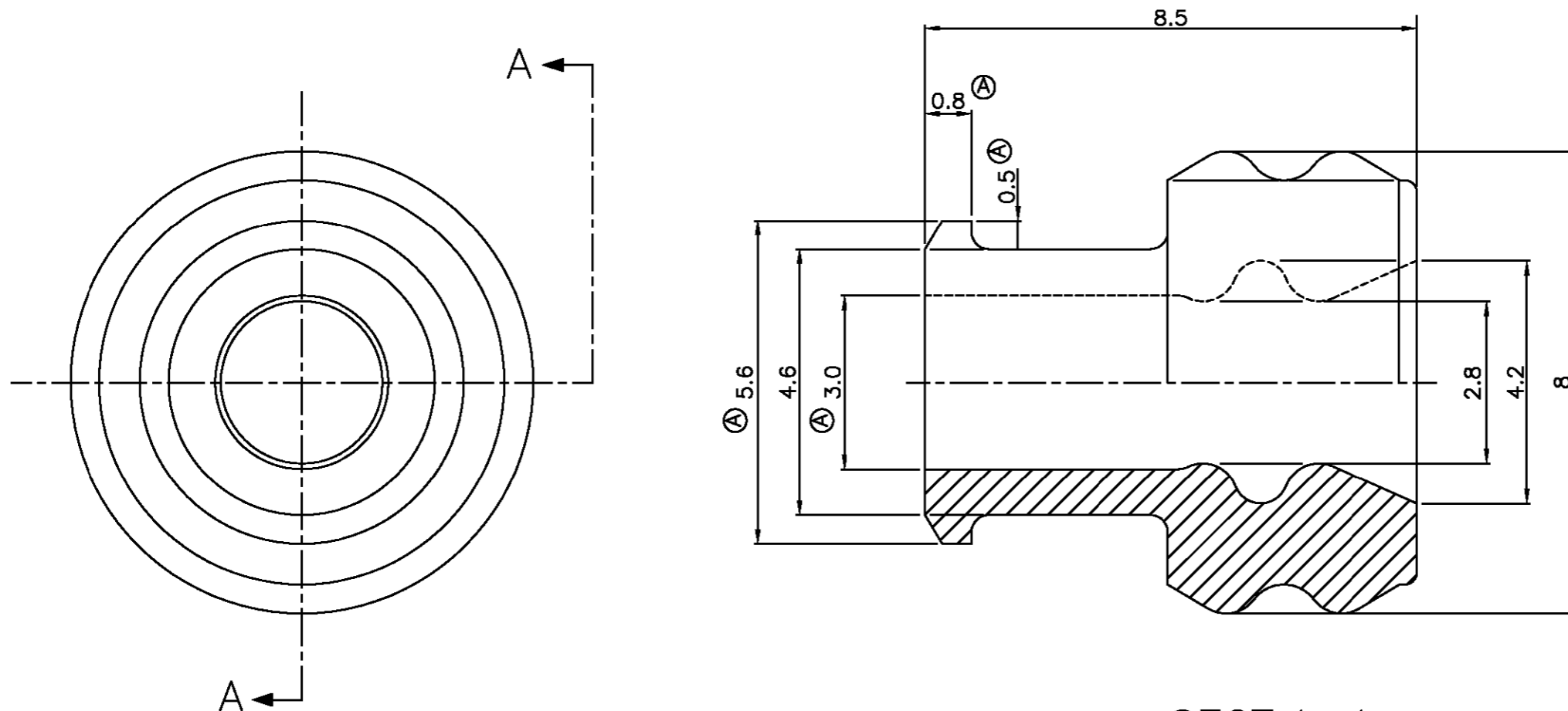
REVISIONS

© COPYRIGHT 19

BY AMP INCORPORATED. ALL RIGHTS RESERVED.

DS

P	LTR	DESCRIPTION	DATE	DWN	APVD
	0	RELEASED (FC00-0060-00)	'00 22/MAY	YD	CS
	A	REVISED (FC00-0065-02)	'02 18/APR	YD	CS



SECT A-A

NOTE :

P/N	MATERIAL	COLOR	HARNESS	INSULATION $\phi$
368940-1	SILICONE	GRAY	45 $\pm$ 5 °	$\phi$ 3.3-3.8mm

THIS DRAWING IS A CONTROLLED DOCUMENT FOR AMP INCORPORATED. IT IS SUBJECT TO CHANGE AND THE CONTROLLING ENGINEERING ORGANIZATION SHOULD BE CONTACTED FOR THE LATEST REVISION.

DIMENSIONS: MM		TOLERANCES UNLESS OTHERWISE SPECIFIED:		DVN	<b>AMP</b> AMP KOREA. kyungsan, korea
3rd ANGLE PROJECTION		0<XX<10 $\pm$ 0.2 10<XX<30 $\pm$ 0.25 30<XX<100 $\pm$ 0.3 ANGLES $\pm$ 3°		CHK	
MATERIAL		FINISH		APVD	NAME
				PRODUCT SPEC	.187 RUBBER PLUG WIRE SEAL (INSULATION DIA: 3.3 - 3.8)
				APPLICATION SPEC	SIZE
				WEIGHT 0.22 g	CAGE CODE
					DRAWING NO
					A3 00779
					SCALE 1/10
					SHEET 1 OF 1
					REV A