

BMTP Repair Fixture		
	Application Tooling Specification Sheet	

FEATURES

- This BMTP Repair Fixture is designed to remove and replace a damaged BMTP shuttered backplane assembly.

SCOPE

Products: BMTP shuttered backplane assemblies.

Terminal Series No.	Terminal Order No.	
106186	106186-0000	106186-0020

DESCRIPTION:

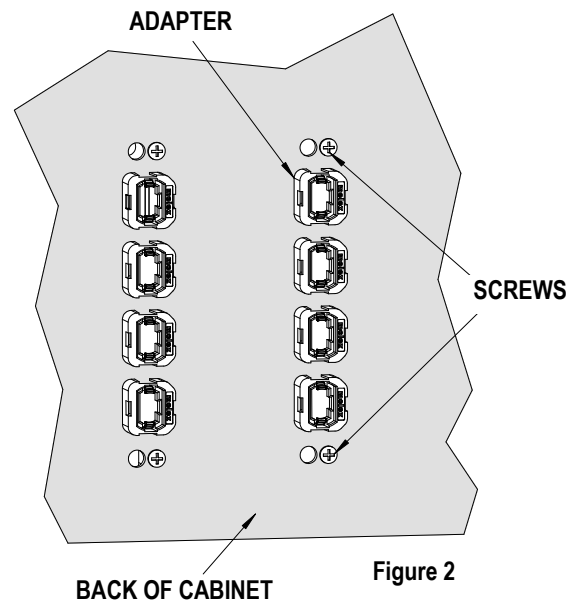
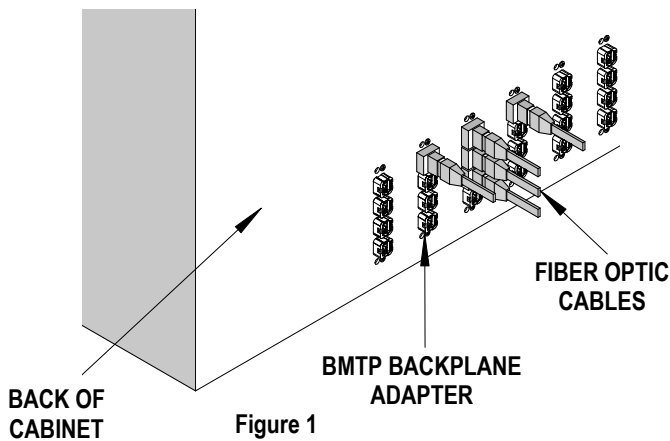
The fixture measures 572.7 mm (22.55 in.) wide by 419.1 mm (16.5 in.) high by 4.75 mm (.187 in.) thick by 38.1 (1.50 in.) across the knobs. It weighs 1.36 kg (3 lbs.).

OPERATION:

WARNING: To avoid electrical shock, shut off power to the cabinet before doing any repair work. If this is not possible, be extremely careful not to touch any components on the daughter cards on either side while removing or installing a damaged adaptor assembly.

Removal

1. From the back of the cabinet, disconnect the connector and cables attached to the adaptor assembly that is being removed. See Figure 1.



2. With a screwdriver remove the two (2) small Phillips head screws holding the assembly in place. See Figure 2.
3. From the front of the cabinet carefully remove the daughter card that is connected to the damaged adaptor assembly. See Figure 3 and 4.

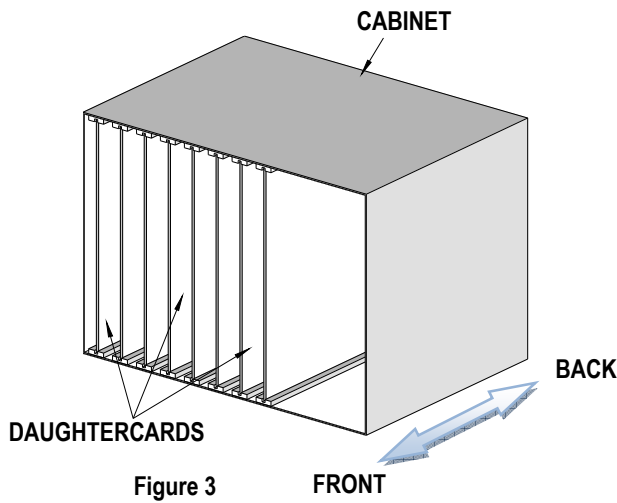


Figure 3

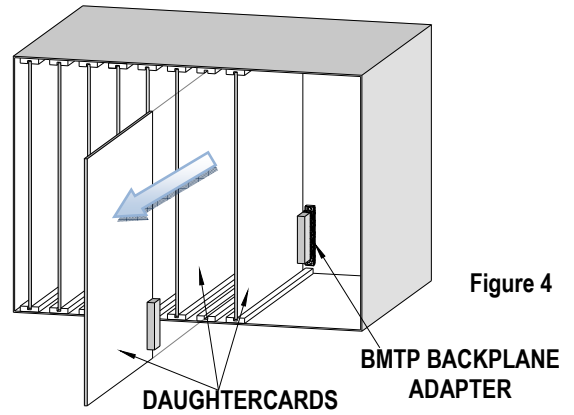


Figure 4

4. Remove the two (2) threaded knobs and the removal block marked "REM" from the repair fixture. See Figure 5.
5. Insert the repair fixture into the open slot of the cabinet.
6. Slide the fixture forward until the threaded rods protrude through the holes in the back of the backplane. See Figure 6.

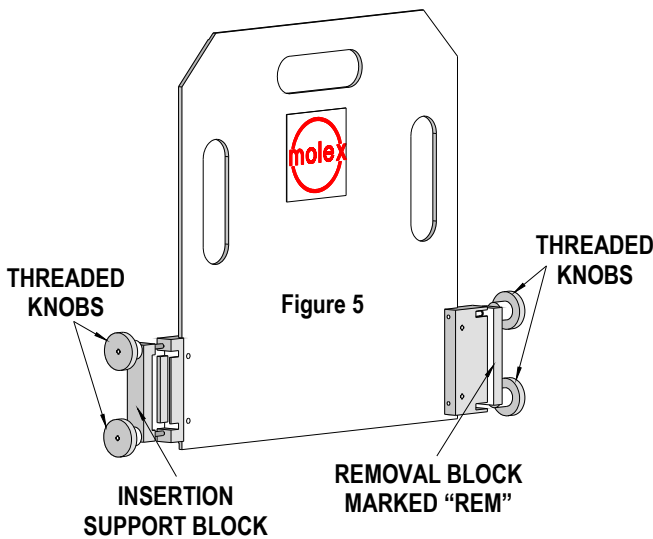


Figure 5

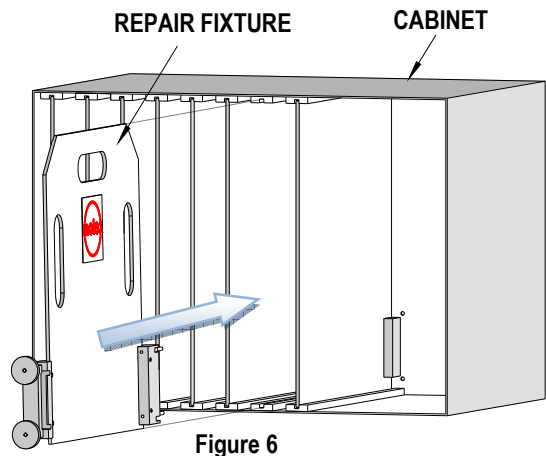


Figure 6

7. From the back of the cabinet install the removal block making sure it is in the correct position (protruding bushing facing up and in). See Figure 7.
8. Turn threaded knobs until they are making contact with support block. See Figure 8.

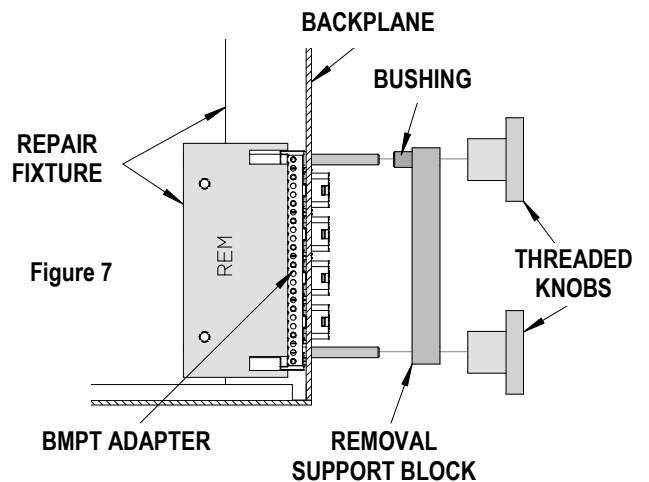
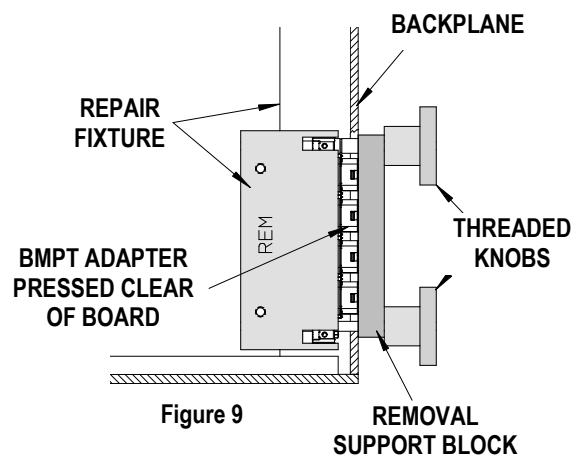
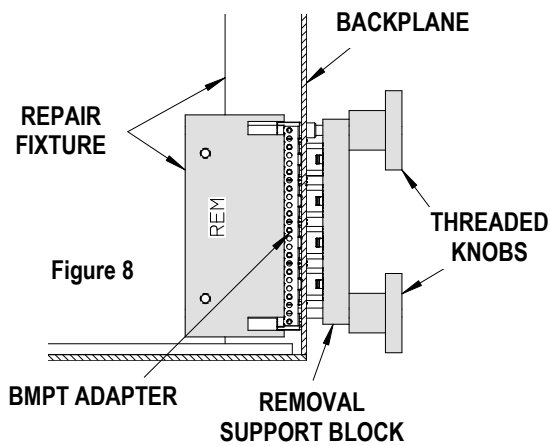


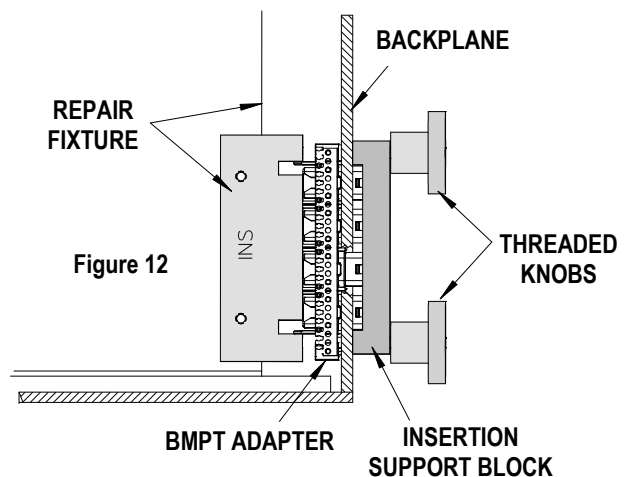
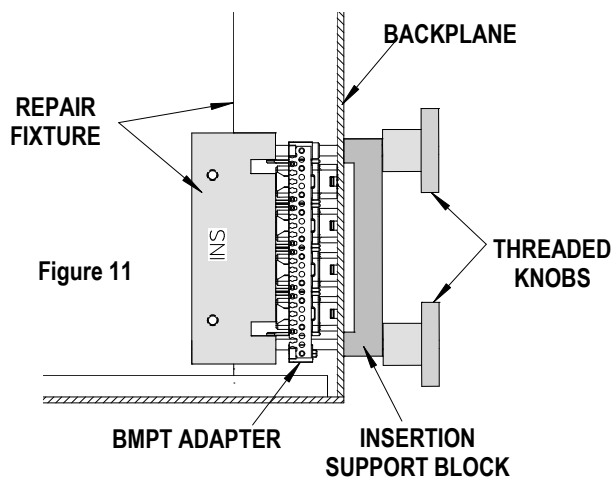
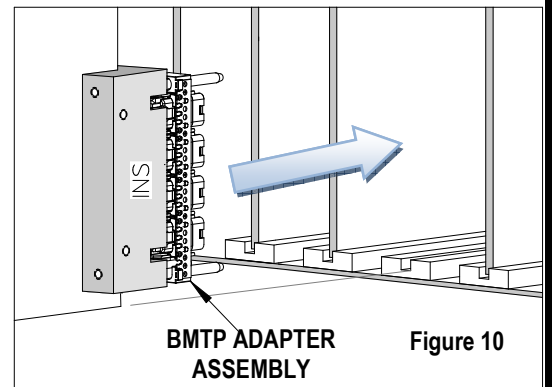
Figure 7



9. Turn both knobs until the damage adaptor is pressed out of the backplane. See Figure 9.
10. Remove the two (2) knobs and the support block.
11. From the front of the cabinet, grasp the fixture at the grip hole and carefully pull it out of the cabinet. The damaged adaptor should be attached to the threaded rods.
12. Remove the damaged adaptor assembly from the fixture and replace the removal block and threaded knobs.

Installation

1. Remove the two threaded knobs and the insertion support block (marked "INS") from the fixture.
2. Load a new BMTP adaptor assembly onto the threaded rods of the 'INSTALL' side of the fixture, making sure it is the proper orientation. See Figure.10.
3. Carefully slide the fixture into the open slot until the threaded rods protrude out the back of the backplane.
4. From the back of the cabinet install the insertion block and the two threaded knobs onto the threaded rods. Note the orientation of the insertion support block. See Figure 11.



BMTP Repair Fixture

5. Turn the knobs until they make contact with the support block.
6. Continue evenly turning the knobs until the new assembly is pressed into the mother board. See Figure 12. The BMTP assembly should be touching the support block and the knobs should become tight.
7. Remove the two threaded knobs and the support block.
8. From the front of the cabinet, grip the fixture and carefully slide it out of the cabinet.
9. Replace the insertion support block and the knobs.
10. Carefully replace the Daughtercard.
11. From the back of the cabinet replace the two Phillips screws and reconnect the fiber optic connectors.

PARTS LIST

BMTP Repair Fixture 62201-7800				
Item	Order No	Engineering No.	Description	Quantity
1	62201-7801	62201-7801	Insertion Block	1
2	62201-7802	62201-7802	Support Block, INS	1
3	62201-7803	62201-7803	Removal Block	1
4	62201-7804	62201-7804	Support Block, REM	1
5	62201-7805	62201-7805	Insert	1
6	62201-7806	62201-7806	Threaded Rod	4
7	62201-7807	62201-7807	Knob	4
8	62201-7808	62201-7808	Tooling Mount Board	1
Hardware				
9	N/A	N/A	#10-32 by .75 inch Long BHCS	4**
** Available from an industrial supply company such as MSC (1-800-645-7270).				

Assembly Drawing

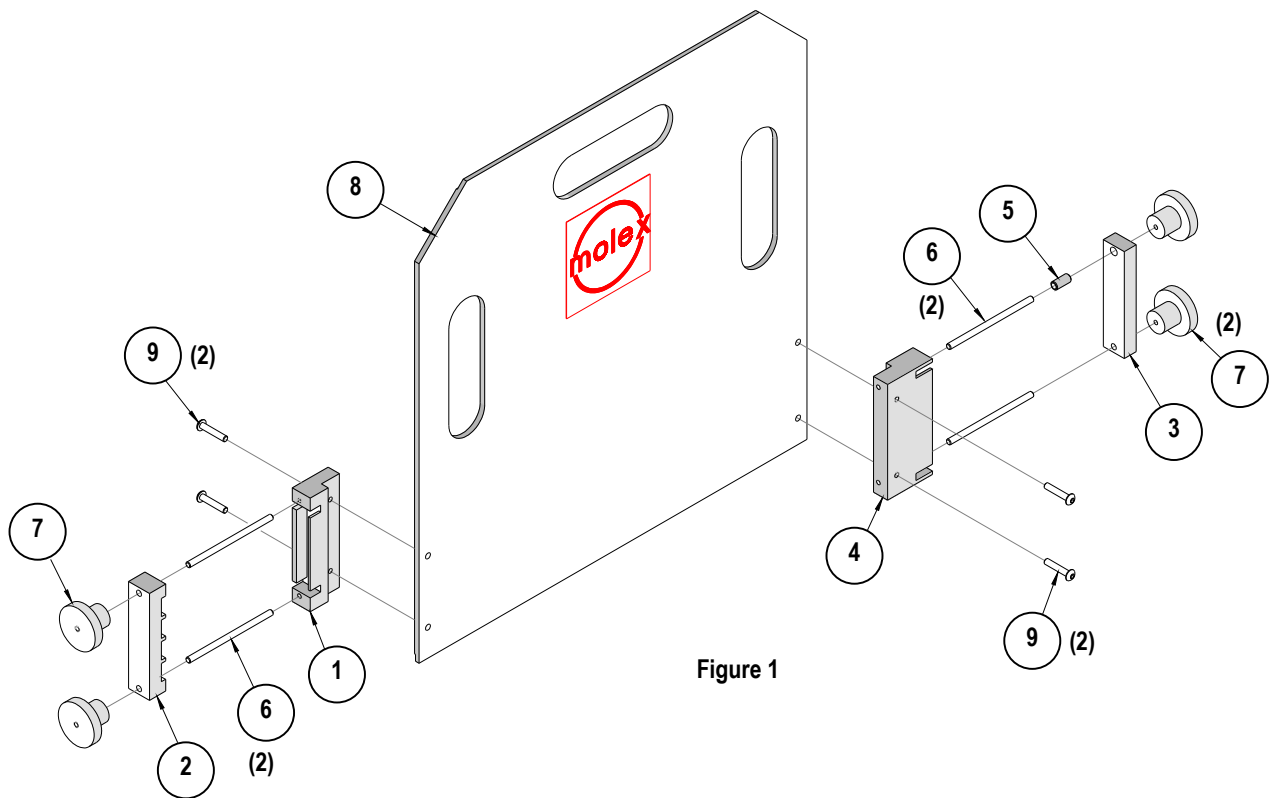


Figure 1

<http://www.molex.com>