

4

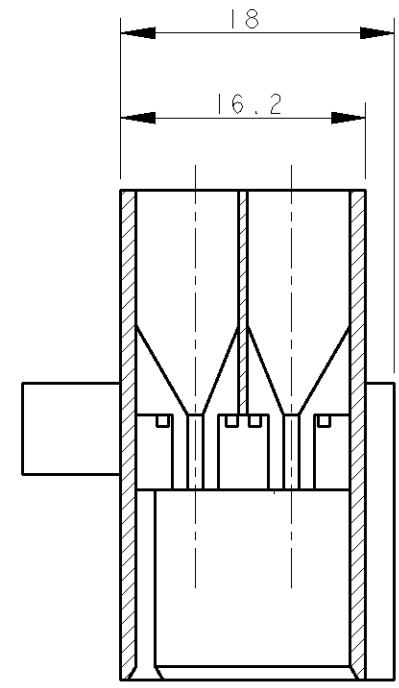
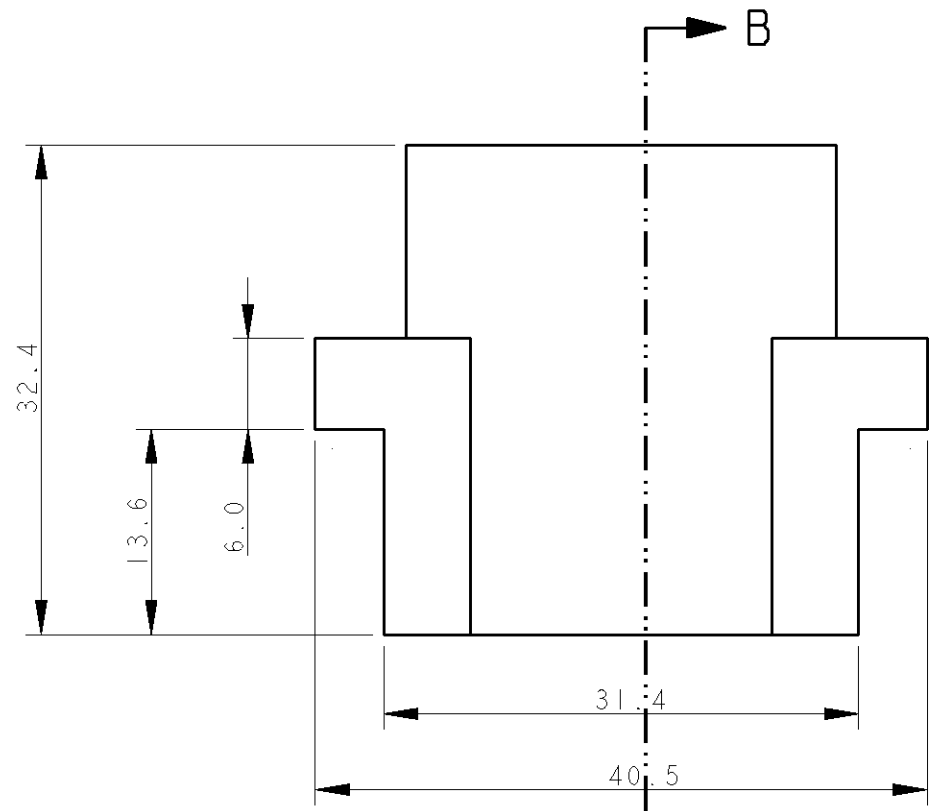
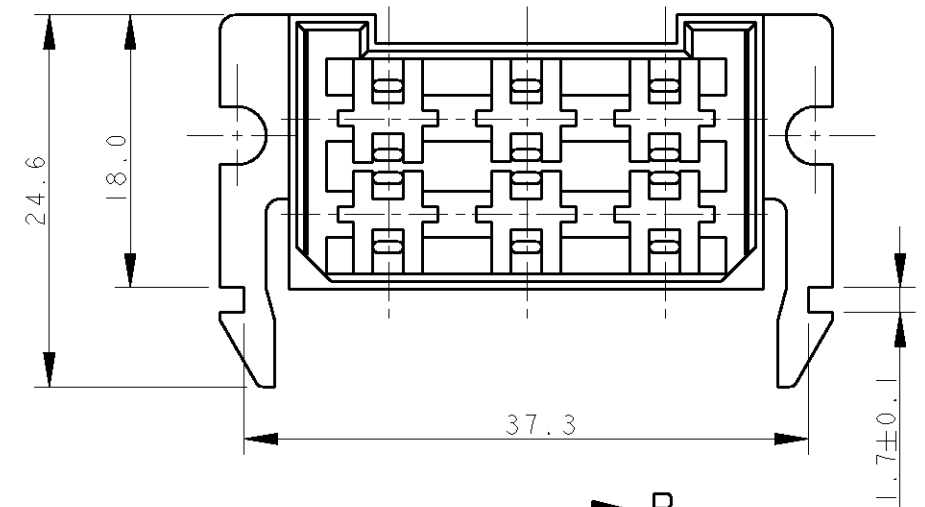
3

2

1

THIS DRAWING IS UNPUBLISHED. RELEASED FOR PUBLICATION .19
 © COPYRIGHT 19 BY AMP INCORPORATED. ALL RIGHTS RESERVED.

LOC	DIST	REVISIONS					
		P	LTR	DESCRIPTION	DATE	DWN	APVD
	-		AD3	CORRECTED NOTE 1	10OCT06	HY	GT
			AD4	REVISED PER - ECO-09-026346	26NOV09	KK	AEG



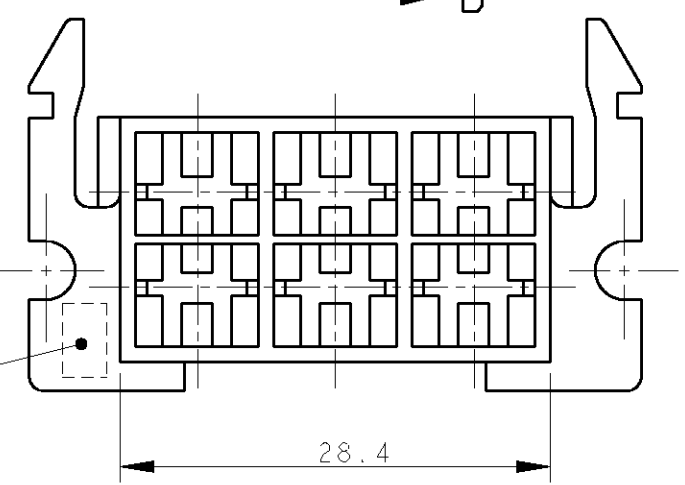
SECTION B - B

⚠ MATERIALE CON GWFI A 850°C
 "GWFI AT 850°C MATERIAL"
 ⚠ OBSOLETE PARTS: OBSOLETE CIS STREAMLINING
 PER D.RENAUD/D.SINISI

OBSOLETE
 ⚠ 2

NERO (BLACK)	⚠	180948-9	AD
NEUTRO (CLEAR)	⚠	180948-8	AD
GRIGIO (GRAY)	POLYAMIDE 6.6 (PA 6.6)	180948-7	AD
GIALLO (YELLOW)		180948-4	AD
ROSSO (RED)		180948-1	AD
NEUTRO (CLEAR)		180948-0	AD
COLORE (COLOUR)		MATERIALE (MATERIAL)	NUMERO DISEGNO AMP (AMP PART NUMBER)

AMP TRADEMARK,
 OPTIONAL POSITION



THIS DRAWING IS A CONTROLLED DOCUMENT FOR AMP INCORPORATED. IT IS SUBJECT TO CHANGE AND THE CONTROLLING ENGINEERING ORGANIZATION SHOULD BE CONTACTED FOR THE LATEST REVISION.

DIMENSIONS:	TOLERANCES UNLESS OTHERWISE SPECIFIED:
mm	
	0 PLC ±
	1 PLC ±0.4
	2 PLC ±
	3 PLC ±
	4 PLC ±
	ANGLES ±0.2
MATERIAL	FINISH
SEE TABLE	-

DWN R. FABRIS 16APR99	AMP AMP Italia S.p.A. C.so F.lli Cervi 15 Collegno (TO)	
CHK C. TARTARI	NAME FASTIN-FASTON, .250" Sr. CONNETTORE PORTA MASCHI A 6 VIE con lancette di aggancio (6 WAY FASTIN-FASTON TAB HOUSING WITH LOCKING EARS, .250" SR.)	
APVD -	PRODUCT SPEC 108-20020	DRAWING NO C-180948
APPLICATION SPEC -	WEIGHT -	SCALE 2:1 SHEET 1 OF 2 REV AD4
CUSTOMER DRAWING	SIZE A3 CAGE CODE 00779	

(*) TRADEMARK OF AMP INCORPORATED

THIS DRAWING IS UNPUBLISHED.

RELEASED FOR PUBLICATION .19

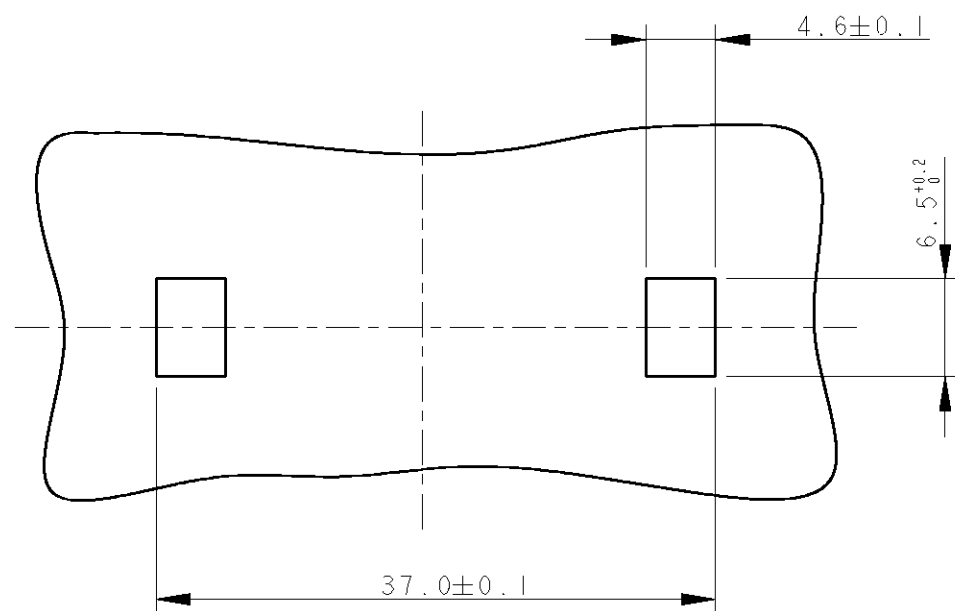
.19

© COPYRIGHT 19

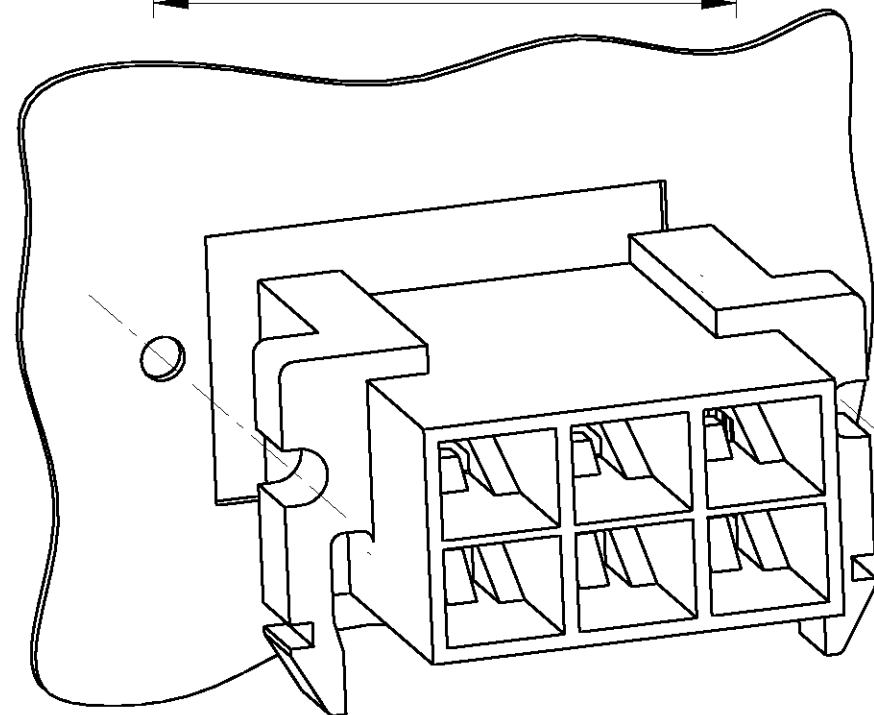
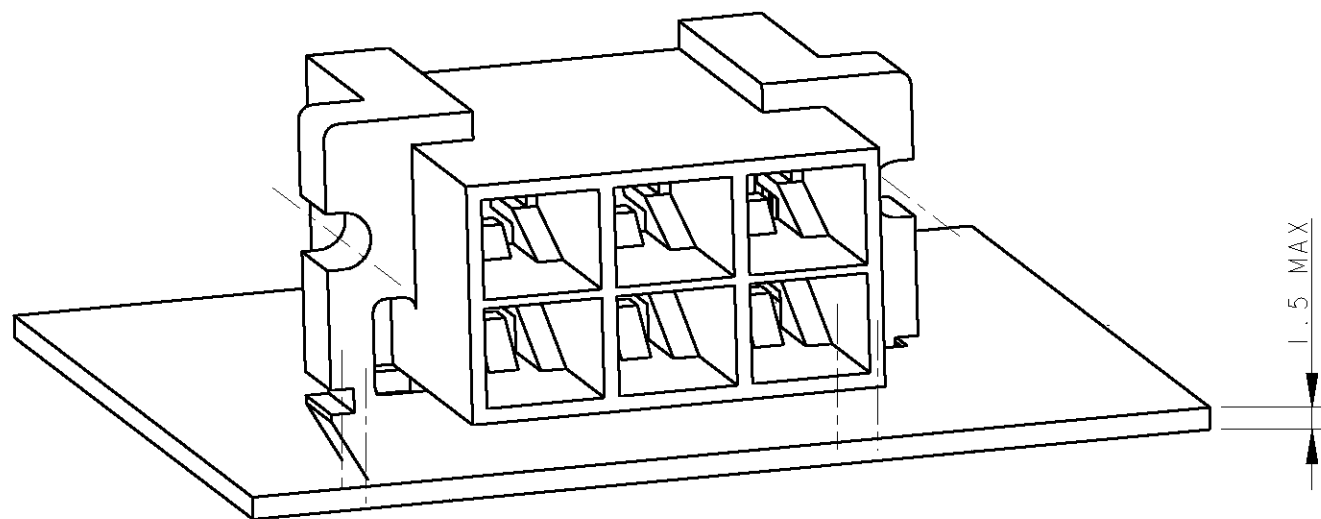
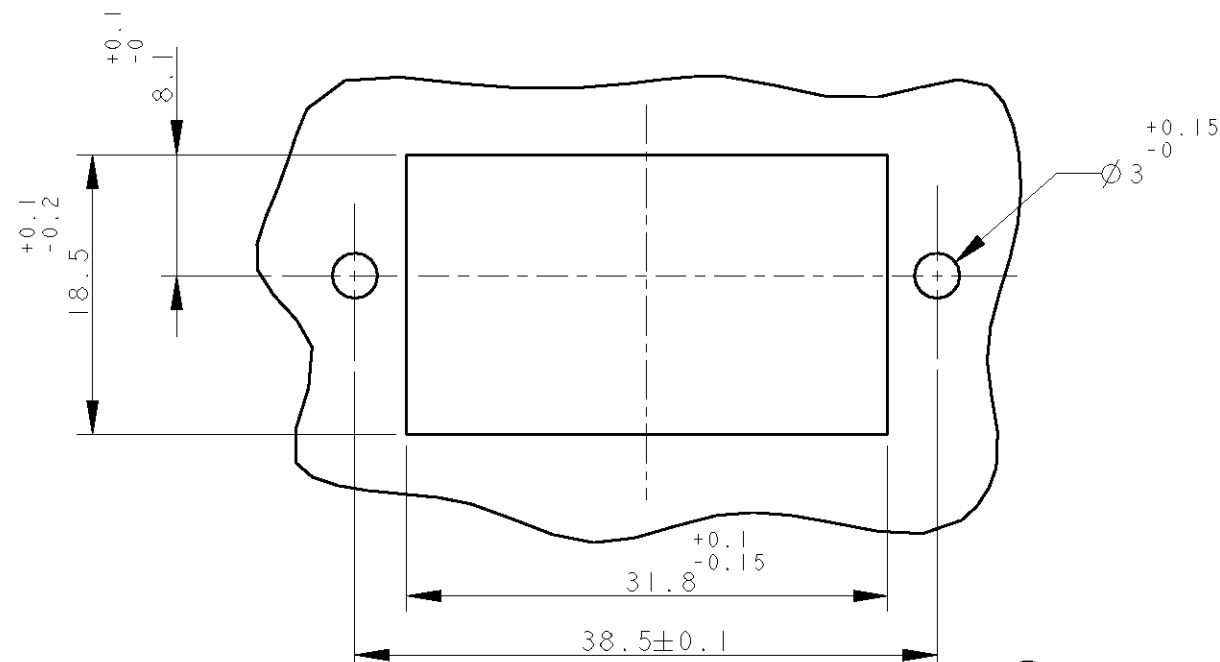
BY AMP INCORPORATED. ALL RIGHTS RESERVED.

LOC		DIST		REVISIONS			
P	LTR	DESCRIPTION		DATE	DWN	APVD	
		SEE SHEET 1 OF 2					

QUOTE DI MONTAGGIO PER DIMA PERPENDICOLARE
(MOUNTING DIMENSIONS FOR FASTENING HSG PERPENDICULAR WITH PANEL)



QUOTE DI MONTAGGIO PER DIMA PARALLELA
(MOUNTING DIMENSIONS FOR FASTENING HSG IN PARALLEL WITH THE PANEL)



THIS DRAWING IS A CONTROLLED DOCUMENT FOR AMP INCORPORATED. IT IS SUBJECT TO CHANGE AND THE CONTROLLING ENGINEERING ORGANIZATION SHOULD BE CONTACTED FOR THE LATEST REVISION.		DWN	AMP Italia S.p.A.	
DIMENSIONS: mm		CHK	C.so F.lli Cervi 15 Collegno (TO)	
TOLERANCES UNLESS OTHERWISE SPECIFIED: 0 PLC ± 1 PLC ± 2 PLC ± 3 PLC ± 4 PLC ± ANGLES ±		APVD	NAME FASTIN-FASTON, .250" Sr. DIME DI MONTAGGIO PER CONNETTORE PORTA MASCHI A 6 VIE (MOUNTING DIMENSIONS FOR 6 WAY FASTIN-FASTON TAB HOUSING P/N 180948)	
MATERIAL		PRODUCT SPEC	SIZE	CAGE CODE
FINISH		APPLICATION SPEC	A3	00779
		WEIGHT	DRAWING NO C-180948	
		CUSTOMER DRAWING	SCALE	SHEET
			2:1	2 OF 2
				REV AD4