

1977879-1 ✓ ACTIVE

AMP | AMP CPC

TE Internal #: 1977879-1

Circular Power Connectors, Housing, 600 VDC, Wire-to-Wire, 4 Position, Sealable, Wire & Cable, Receptacle, Reverse Gender, Socket, Signal, AMP CPC

[View on TE.com >](#)



Connectors > Power Connectors > Circular Power > Circular Power Connectors



Connector Product Type: **Housing**

Operating Voltage: **600 VDC**

Connector System: **Wire-to-Wire**

Number of Positions: **4**

Sealable: **Yes**

Features

Product Type Features

| | |
|-----------------------------------|-----------------|
| Connector Seal & Plug Type | Wire Entry Seal |
| Connector Product Type | Housing |
| Connector System | Wire-to-Wire |
| Sealable | Yes |
| Connector & Contact Terminates To | Wire & Cable |
| Connector & Housing Type | Receptacle |
| Circular Connector Shell Type | All Plastic |

Configuration Features

| | |
|----------------------------|---------|
| Reverse Numbering | Without |
| Number of Positions | 4 |
| Number of Power Positions | 0 |
| Number of Signal Positions | 4 |

Electrical Characteristics

| | |
|-------------------|---------|
| Operating Voltage | 600 VAC |
|-------------------|---------|



Contact Features

| | |
|--------------------|--------|
| Reverse Gender | Yes |
| Contact Type | Socket |
| Contact Protection | With |

Mechanical Attachment

| | |
|--------------------------|----------------------------|
| Mating Alignment Type | Keyed |
| Mating Alignment | With |
| Panel Mount Feature Type | Flange with Mounting Holes |
| Mating Retention Type | Threaded Coupling |
| Thread Size | 5/8-24 UNEF-2A |
| Polarization Code | A |
| Connector Mounting Type | Panel Mount |
| Mating Retention | With |
| Panel Mount Feature | With |

Housing Features

| | |
|-------------------------------|--------------------------|
| Body Orientation | Straight |
| Housing Color | Black |
| Housing Material | Nylon 6/6 (UV Resistant) |
| Circular Connector Shell Size | 11 |

Usage Conditions

| | |
|-----------------------------|----------------------------|
| Operating Temperature Range | -55 – 105 °C[-67 – 221 °F] |
| Fluid Resistance | Immersion |

Operation/Application

| | |
|---------------------|--------|
| Circuit Application | Signal |
| Shielded | No |

Industry Standards

| | |
|------------------------|----------|
| UL Flammability Rating | UL 94V-0 |
|------------------------|----------|

Packaging Features

| | |
|--------------------|---------|
| Packaging Quantity | 1 |
| Packaging Method | Package |

Product Compliance



[For compliance documentation, visit the product page on TE.com>](#)

| | |
|---|--|
| EU RoHS Directive 2011/65/EU | Compliant |
| EU ELV Directive 2000/53/EC | Compliant |
| China RoHS 2 Directive MIIT Order No 32, 2016 | No Restricted Materials Above Threshold |
| EU REACH Regulation (EC) No. 1907/2006 | Current ECHA Candidate List: JUNE 2023 (235) Candidate List Declared Against: JAN 2021 (211) Does not contain REACH SVHC |
| Halogen Content | Low Halogen - Br, Cl, F, I < 900 ppm per homogenous material. Also BFR/CFR/PVC Free |
| Solder Process Capability | Not applicable for solder process capability |

Product Compliance Disclaimer

This information is provided based on reasonable inquiry of our suppliers and represents our current actual knowledge based on the information they provided. This information is subject to change. The part numbers that TE has identified as EU RoHS compliant have a maximum concentration of 0.1% by weight in homogenous materials for lead, hexavalent chromium, mercury, PBB, PBDE, DBP, BBP, DEHP, DIBP, and 0.01% for cadmium, or qualify for an exemption to these limits as defined in the Annexes of Directive 2011/65/EU (RoHS2). Finished electrical and electronic equipment products will be CE marked as required by Directive 2011/65/EU. Components may not be CE marked. Additionally, the part numbers that TE has identified as EU ELV compliant have a maximum concentration of 0.1% by weight in homogenous materials for lead, hexavalent chromium, and mercury, and 0.01% for cadmium, or qualify for an exemption to these limits as defined in the Annexes of Directive 2000/53/EC (ELV). Regarding the REACH Regulation, the information TE provides on SVHC in articles for this part number is based on the latest European Chemicals Agency (ECHA) 'Guidance on requirements for substances in articles' posted at this URL: <https://echa.europa.eu/guidance-documents/guidance-on-reach>

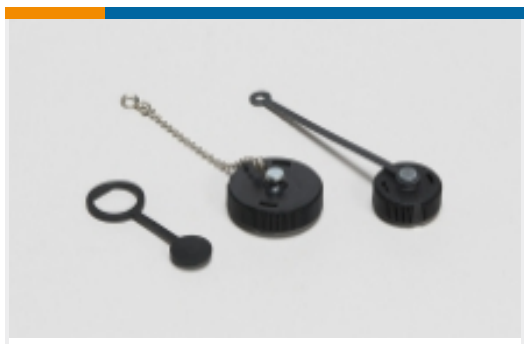
Compatible Parts



Also in the Series | [AMP CPC](#)



Circular Connector Adapters(7)



Circular Connector Caps & Covers(16)



Circular Connector Hardware(3)



Circular Connector Keying Plugs(2)



Circular Connector Seals(36)



Circular Power Connectors(459)



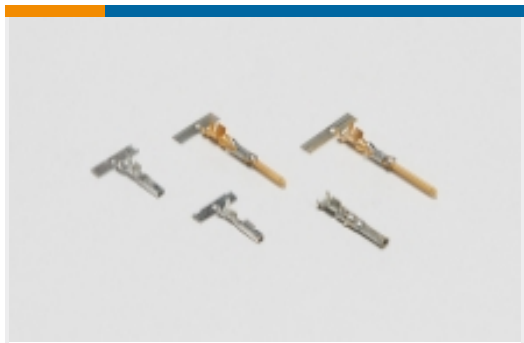
Connector Backshells(56)



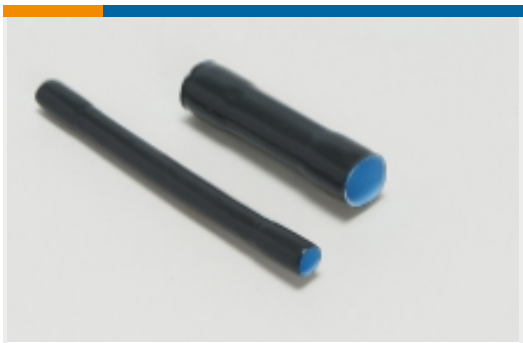
Connector Strain Relief(6)



Insertion & Extraction Tools(1)

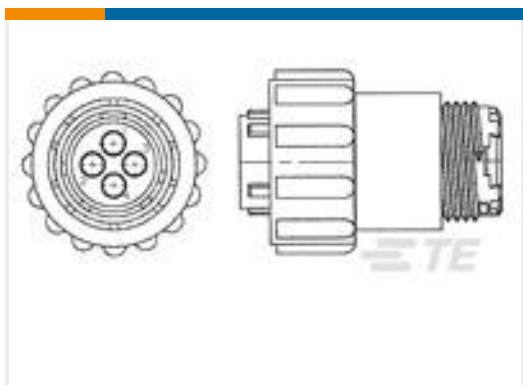


Power Contacts(6)

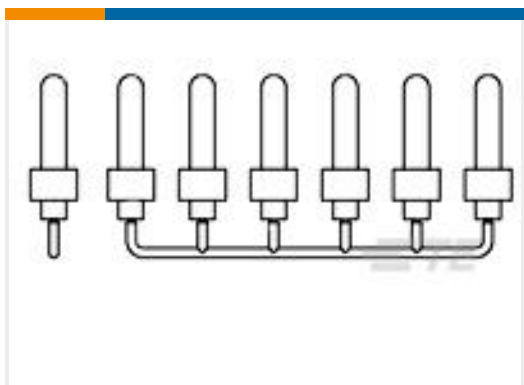


Sealing Sleeves(2)

Customers Also Bought



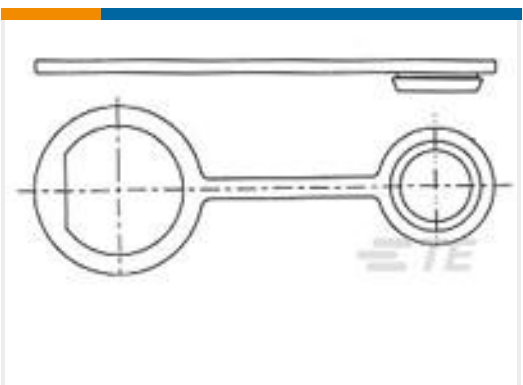
TE Part #788153-2
SLD CPC PLUG ASSY,11-4,REV SEX



TE Part #796075-1
NGC SEALING PLUG



TE Part #1445535-3
Mini Circular Plastic Connectors (CPC)



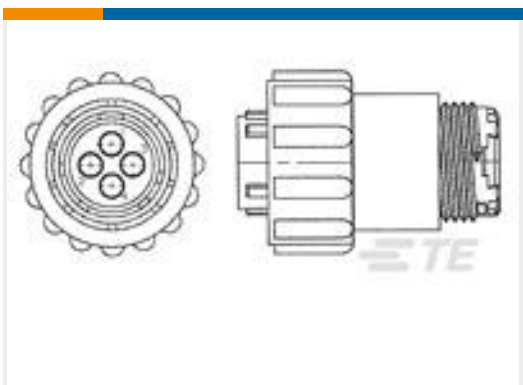
TE Part #1604089-1
CAP,DUST,SIZE 8



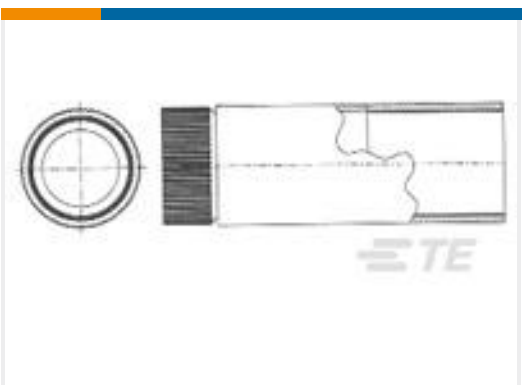
TE Part #66602-9
Pin and Socket Contacts, Type III, LP,
High Current



TE Part #1445420-1
SEAL,FLANGE, SIZE 8/M13.5



TE Part #788157-1
SLD CPC 13-9 PLUG,STD,SM INS



TE Part #1546997-1
STR RLF ASSY,TUBING,SIZE 8

Documents



Product Drawings

[SLD CPC RCPT ASSY,11-4,REV SEX, UV RESIS](#)

English

CAD Files

[3D PDF](#)

3D

Customer View Model

[ENG_CVM_CVM_1977879-1_B.2d_dxf.zip](#)

English

Customer View Model

[ENG_CVM_CVM_1977879-1_B.3d_igs.zip](#)

English

Customer View Model

[ENG_CVM_CVM_1977879-1_B.3d_stp.zip](#)

English

By downloading the CAD file I accept and agree to the [Terms and Conditions](#) of use.

Product Specifications

[Product Specification](#)

English