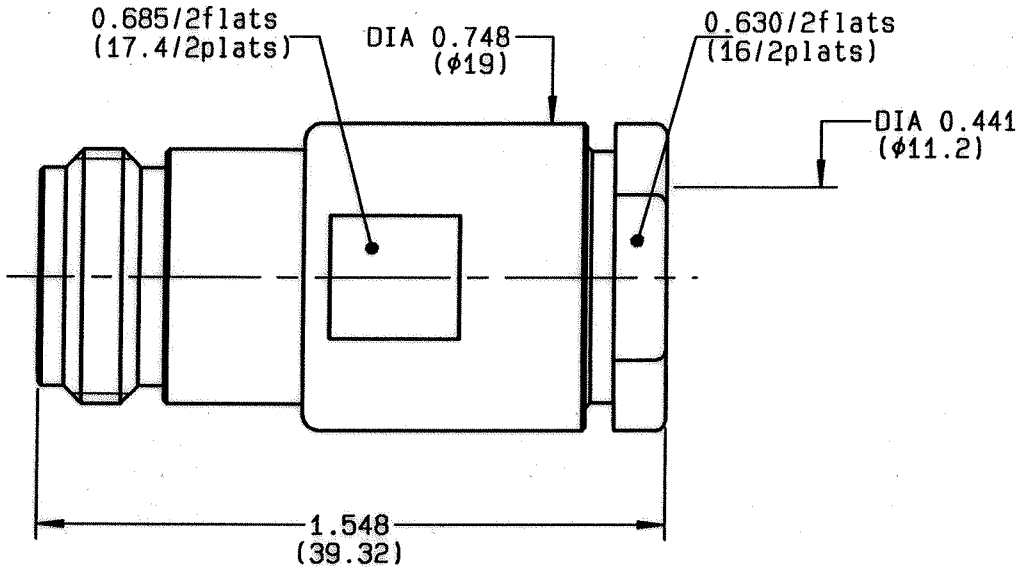


**STRAIGHT JACK CLAMP TYPE
CABLE 10+11/50+75 S+D**

R161.220.000
SERIES N



NOMINAL IMPEDANCE	50	Ω
FREQUENCY RANGE	0-11	GHz
TEMPERATURE RATING	-55/+155	°C
V.S.W.R	1.30 +	x F(GHz)Maxi
RF INSERTION LOSS	.048	√F(GHz) dB Maxi
VOLTAGE RATING	1400	Veff Maxi
DIELECTRIC WITHSTANDING VOLTAGE	2500	Veff Mini
INSULATION RESISTANCE	5000	M ΩMini
HERMETIC SEAL	NA	Atm.cm ³ /s
PACKAGE (pressurized only)	NA	
MECHANICAL DURABILITY	500	Cycles
WEIGHT	46	gr
SPECIFICATION		

CABLES : KX 13
KX 4
KX 8
RG 11
RG 144
RG 165
RG 213
RG 214
RG 216
RG 225

OTHERS CHARACTERISTICS

CABLE RETENTION	300	N Mini
CENTER CONTACT RETENTION		
Axial force - mating end	68	N Mini
Axial force - opposite end	68	N Mini
Torque	NA	cm.N Mini
RECOMMENDED TORQUES		
Mating	NA	cm.N
Panel nut	NA	cm.N
Clamp nut	800	cm.N

CONNECTOR PARTS	MATERIALS	FINISH	(all values are given in micrometers)
BODY	BRASS	BBR 2	
OUTER CONTACT			
CENTER CONTACT	BERYLLIUM COPPER	GOLD 0.5 OVER NICKEL 2	
INSULATOR	PTFE	-	
GASKET		-	
OTHERS PIECES	BRASS	BBR 2	

ISSUE	CREATION DATE	FILE PART-NUMBER
9744P00	02-DEC-92	EPC 96-07



RADIALL®

The information given here is subject to change without notice.
Design changes may be in order to improve the product.

Connect to the future

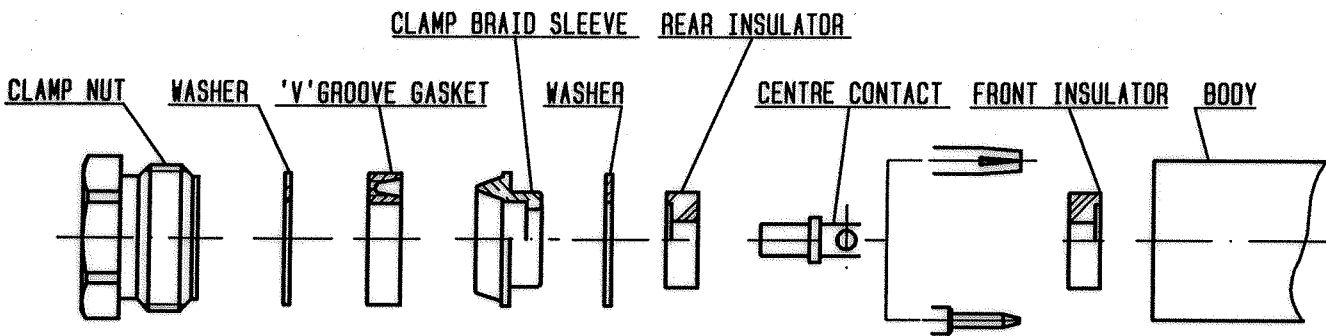
BONDIT



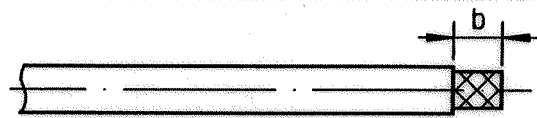
RADIALL®

R161.220.000

ISSUE 9744P00 SERIES N



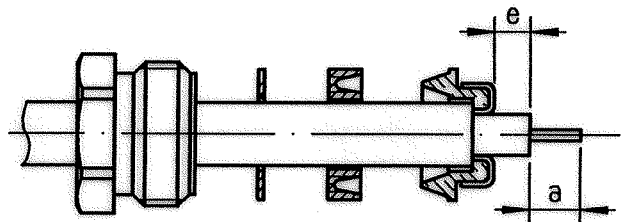
1 Strip the cable .



Stripping	a	b	c	d	e
inch	0.197	0.335	0	0	0.059
mm	5	8.5			1.5

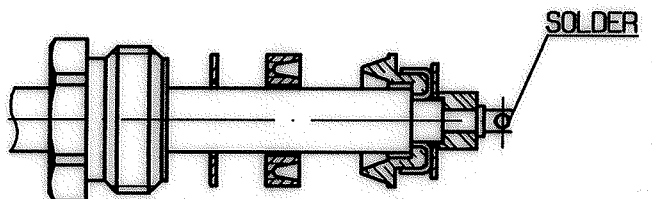
2

Slide the clamp nut , the washer and the 'V'groove gasket onto the cable .
 Slide clamp braid sleeve over braid .
 Fold back braid and trim off surplus braid .
 Trim back dielectric as shown .



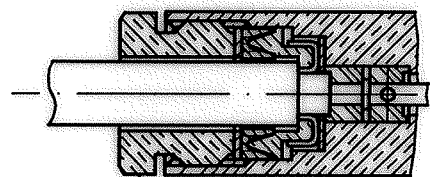
3

Mount washer and rear insulator .
 Solder the cable inner conductor into centre contact .



4

Mount front insulator .
 Screw sub-assembly into the connector body .
 (recommended coupling torque 70.87 in.lb)



Hex. : 0.63/flats