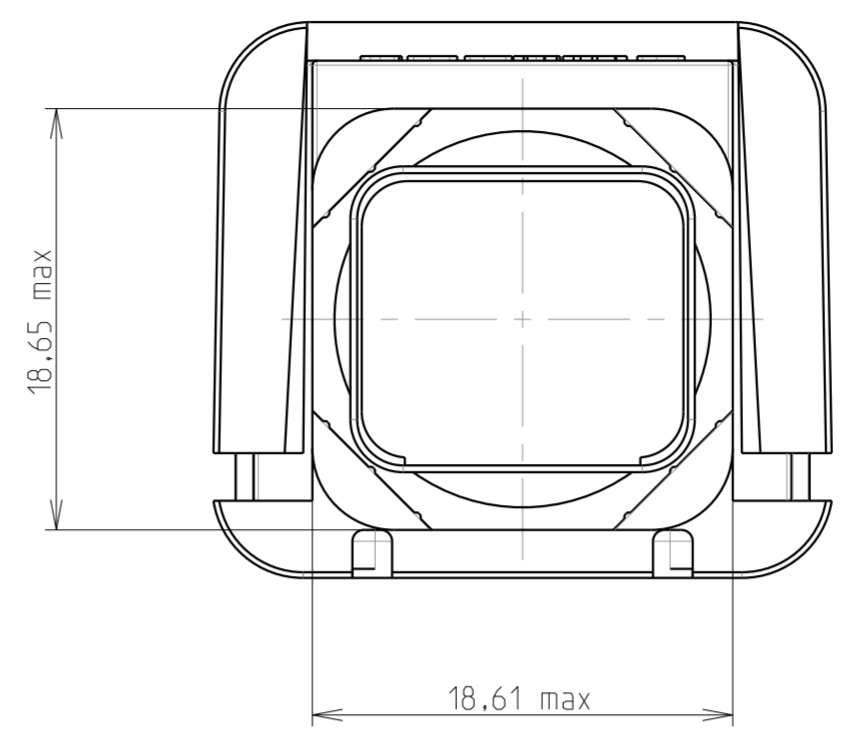
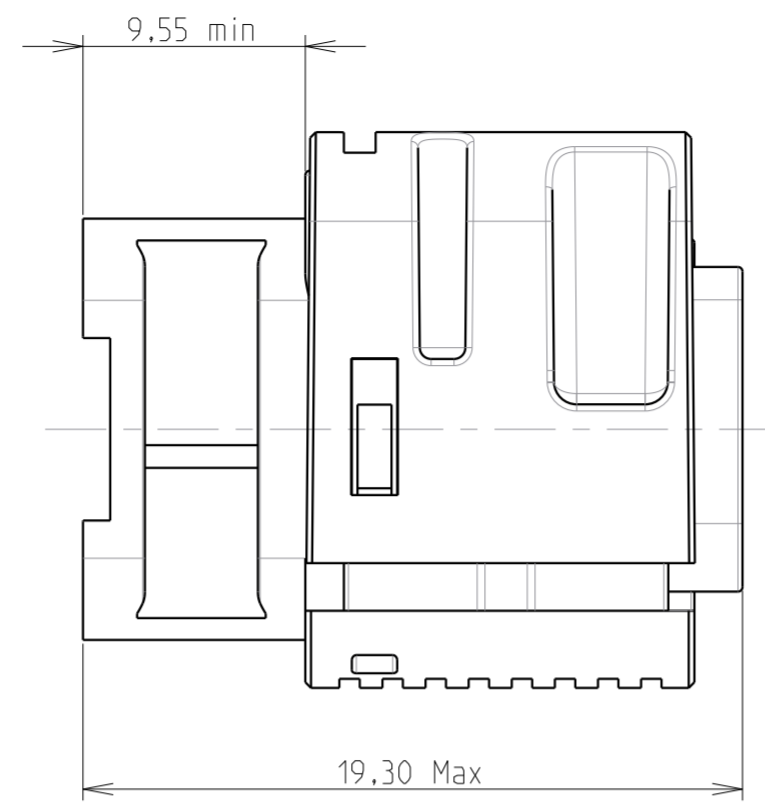


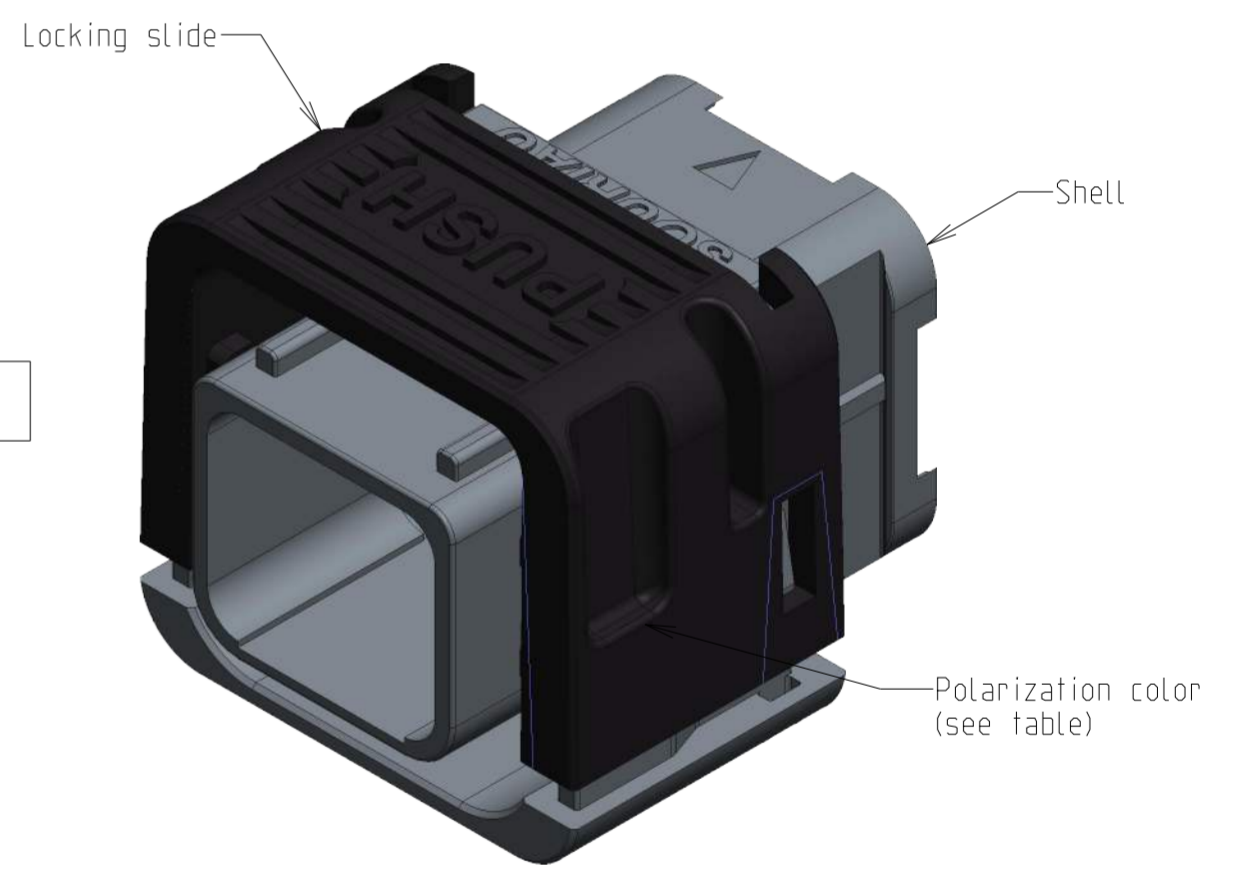
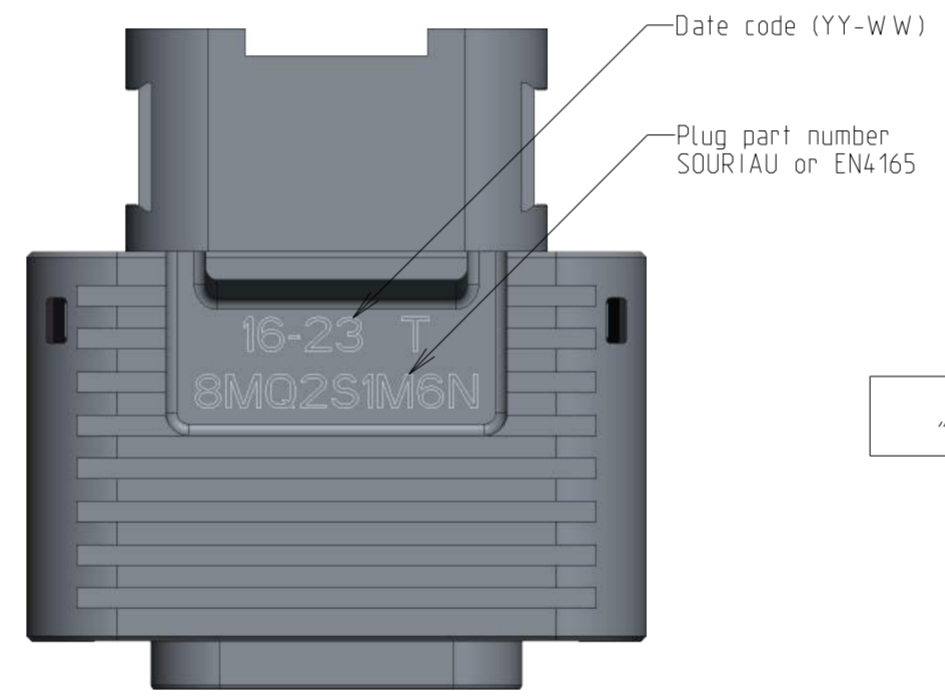
Shells are compliant for use with modules polarization N, A, B, C, D



MASS	10.6 g maxi
------	-------------

Technical Characteristics	
Material & finishes	
<ul style="list-style-type: none"> • Shell : Composite nickel plated • Locking slide : Composite 	
Electrical	
<ul style="list-style-type: none"> • Housing (shell) electrical continuity : < 3mΩ • Shielding effectiveness : > 50dB attenuation from 100 to 1 000 MHz 	
Climatic	
<ul style="list-style-type: none"> • Operating temperature range : -55 °C to +175 °C • Salt spray (corrosion) : 500 hrs 	
Mechanical	
<ul style="list-style-type: none"> • Compliant EN4165 - BACC65 - ARINC 809 • Mating/Unmating: 500 operations • Delivered with protective cap 	
Environmental	
<ul style="list-style-type: none"> • RoHS and REACH compliant • Fluid resistance : See standard EN 4165-001 (table 40) 	

EN4165 PART NUMBER TABLE						
Marking on receptacle						
Range :	EN4165	M	6	1	A	N
Plating :	M - Composite nickel plated					
Shell Type :	6 - Plug					
Module Quantity :	1 - Mono module					
Serie :	2 - Serie 2					
Polarization :	N, A, B, C, D, E, F, G					



SOURIAU PART NUMBER TABLE						
Marking on receptacle						
Range :	8MQ	2	S	1	M	6
Serie :	2 - Serie 2					
Type of component :	S - Shell					
Module Quantity :	1 - Mono module					
Plating :	M - Composite nickel plated					
Shell Type :	6 - Plug					
Polarization :	N, A, B, C, D, E, F, G					

	POLARIZATION	Colour
Polarization colour table	N	Black
	A	Red
	B	Blue
	C	Green
	D	Yellow
	E	Pink
	F	Light Green
G	Grey	

P/N : SEE TABLE

B	21/05/19	drawing update for EN4165 creation plug	24230AB
ISS	DATE	Latest modification - by: E.FOREST	MOD N°
Designed by: N.AUFFRET		Date:27/09/19	CUSTOMER DRAWING
TITLE		PLUG 8MQ TYPE 6	
		BASIC SERIE 8MQ - Based on EN4165/BACC65BV/ARINC 809	
Scale	3/1	Dimensions in mm General Linear Tolerances: ± --	NPRDS / PROJECT BE133702A
		www.souriau.com	This document is the property of SOURIAU. It must not be reproduced or communicated without permission.

Country	Jurisdiction & Control List
FR	NOT LISTED

SOURIAU shall not be liable for any non-conformity or damage due to a use of the Products which does not comply with the Specifications issued by either of the Parties or by a third party (professional recommendation, technical notice.)

FORMAT	A2	SOURIAU DRG N°	C003-8MQ-A	SHEET	1 / 1
--------	----	----------------	------------	-------	-------