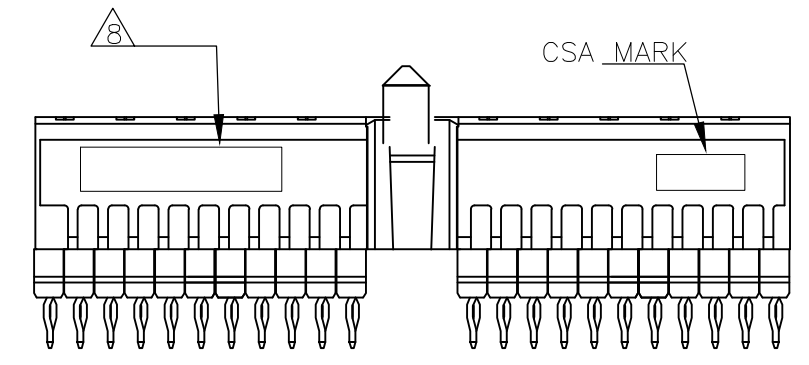
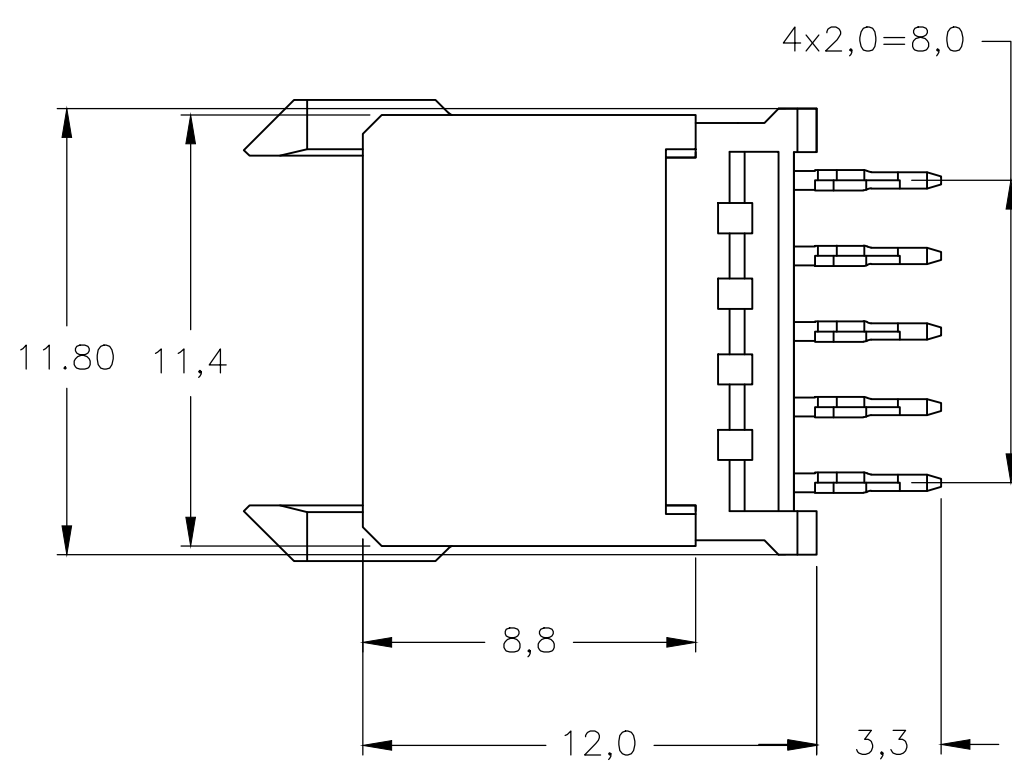
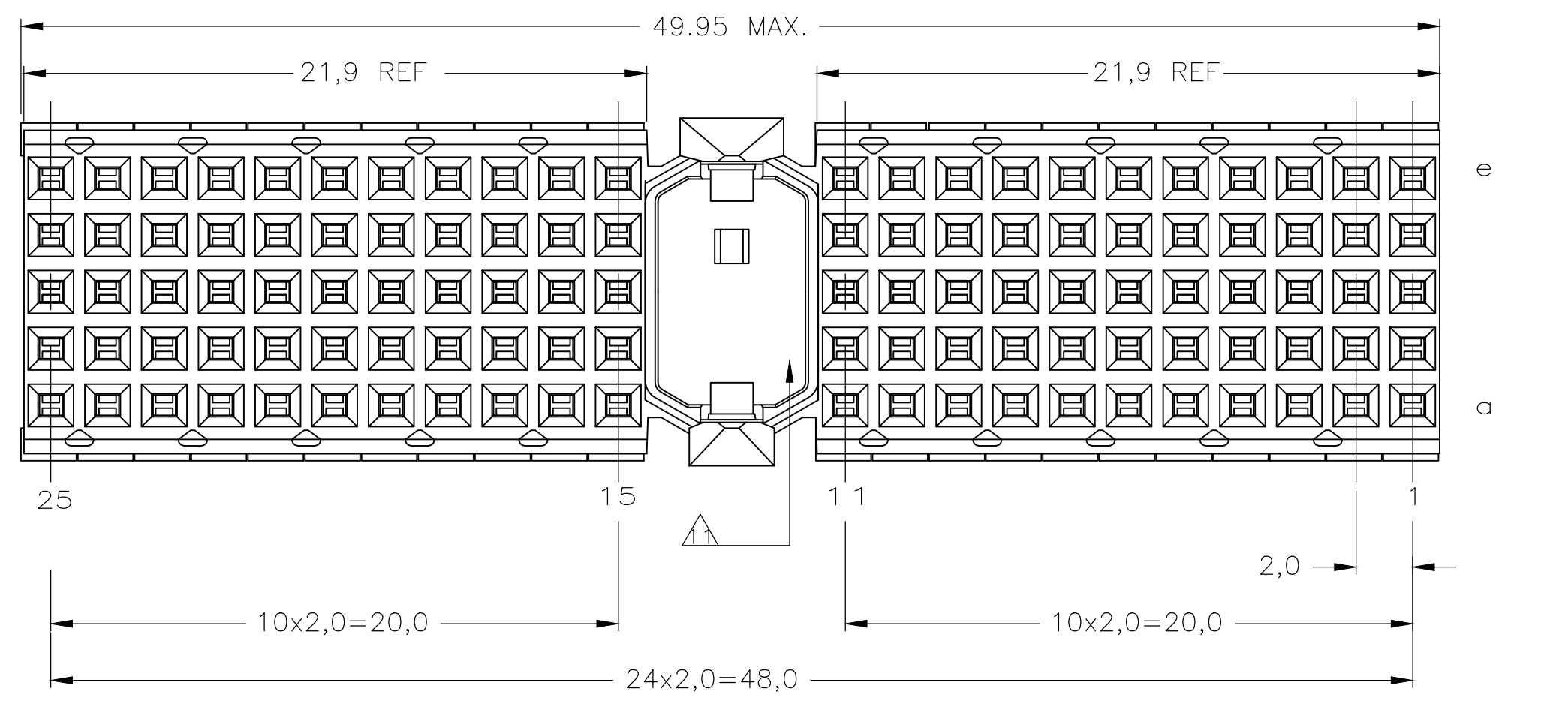
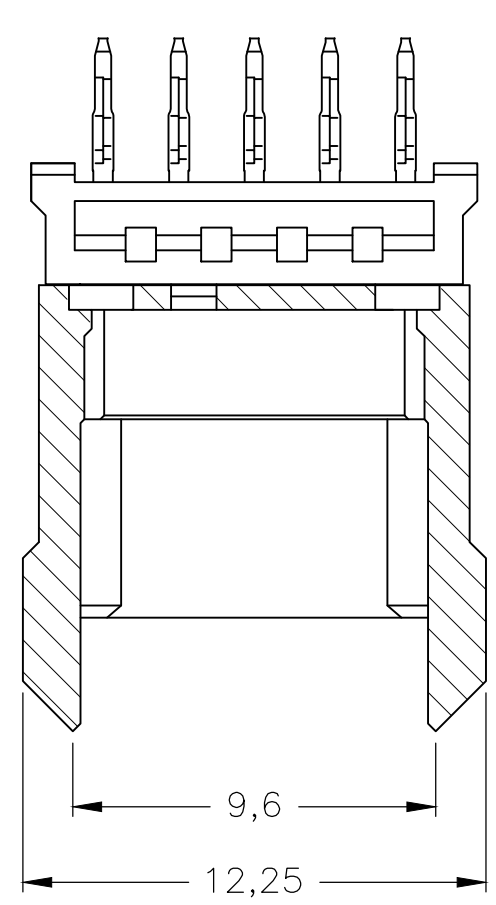
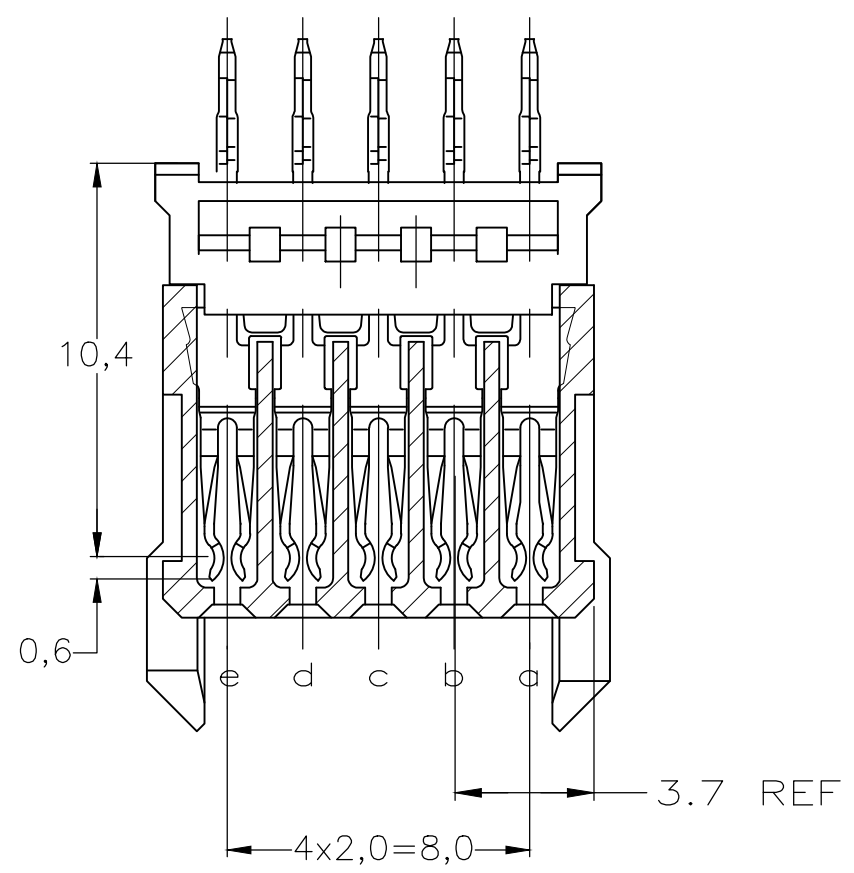
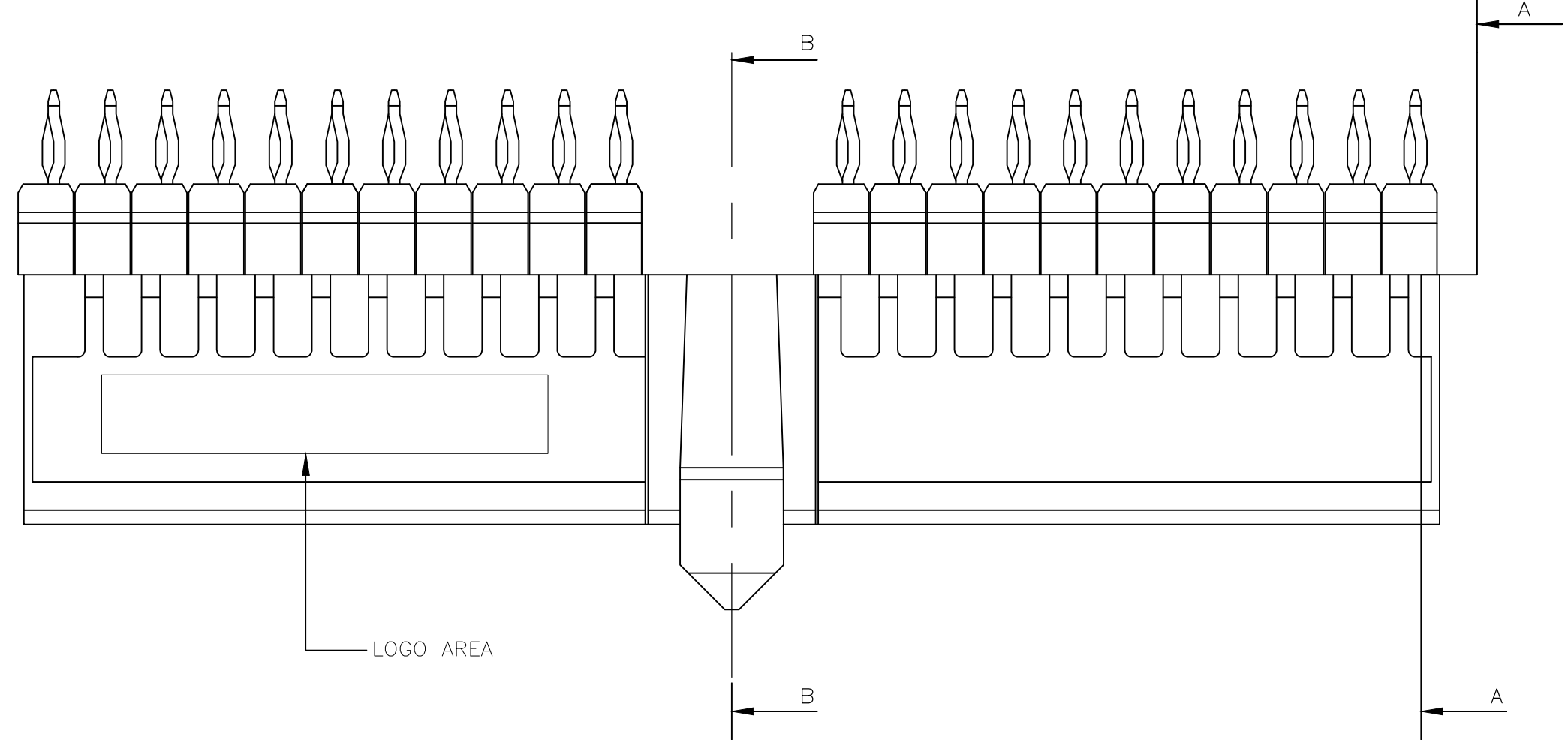
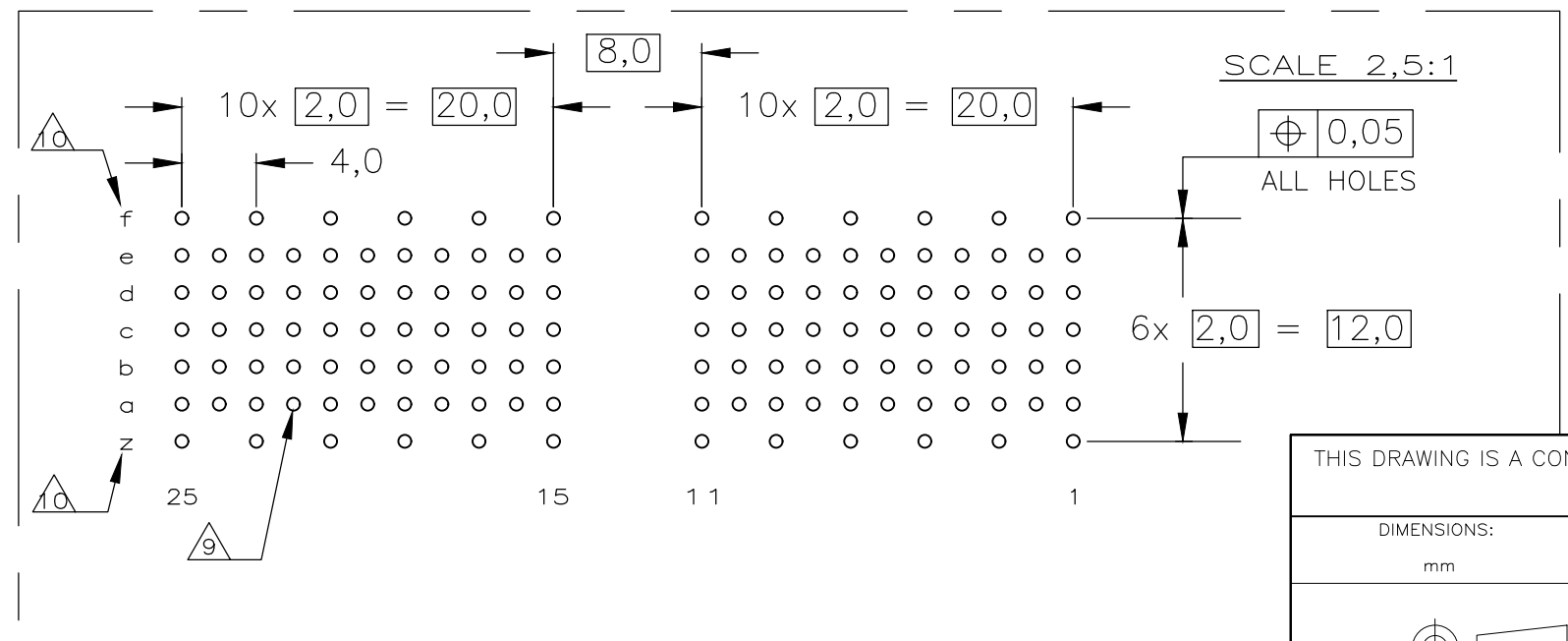


THIS DRAWING IS UNPUBLISHED. RELEASED FOR PUBLICATION  
 © COPYRIGHT - By - ALL RIGHTS RESERVED.

REVISIONS				
P	LTR	DESCRIPTION	DATE	APVD
K2		REVISED PER ECO-19-002730	02AUG2019	A.S H.L



- NOTES:**
- 1 MATERIAL CONTACT: PHOSPHORBRONZE  
MATERIAL HOUSING: GLASSFILLED POLYESTER  
UL-RATING 94V0 (GRAY).
  - 2 GENERAL PLATING SPECIFICATION: UNDERPLATING (ENTIRE CONTACT):  
1,27µm NICKEL MIN. AND ACTION PIN: 0,5µm TIN MIN.  
FOR PLATING OF MATING SURFACES SEE APPLICABLE  
SPECIFICATION REFERENCE FOR EACH DASH NUMBER.
  - 3 CONFORMS TO ALL TESTING ACCORDING IEC 61076-4-101  
PERFORMANCE LEVEL 2.
  - 4 CONFORMS TO ALL TESTING ACCORDING IEC 61076-4-101  
PERFORMANCE LEVEL 1.
  - 5 CONNECTOR TESTED AND QUALIFIED AGAINST TELCORDIA GR-1217-CORE  
QUALITY LEVEL III, CENTRAL OFFICE APPLICATIONS.
  - 6 CONNECTOR TESTED AND QUALIFIED AGAINST TELCORDIA GR-1217-CORE  
QUALITY LEVEL III, UNCONTROLLED ENVIRONMENT APPLICATIONS.
  - 7 CONNECTOR LUBRICATED WITH TELCORDIA GR-1217-CORE  
APPROVED LUBRICANT.
  - 8 CONNECTOR PRINTED WITH PARTNUMBER AND DATECODE.
  - 9 PLATED-THROUGH HOLES AT 2x2mm SQUARE GRID (110 HOLES).
  - 10 HOLES IN ROW f AND z FOR POSSIBLE FUTURE USE OF  
GROUND RETURN SHIELD. (SHIELDS NOT YET TOOLED)
  - 11 AREA RESERVED FOR KEYING PART (BASIC P.N.:100526).
  - 12 0.76µm MIN GOLD PLATING AT MATING SURFACE.



COMPONENT SIDE AS SHOWN  
 RECOMMENDED PCB-HOLE LAY-OUT

P.C.B. HOLE DIM. ACTION PIN  
 FOR DETAILS SEE  
 APPLICATION SPECIFICATION

THIS DRAWING IS A CONTROLLED DOCUMENT.		DWN K.N.KIRAN 12AUG2004
DIMENSIONS: mm		CHK B.MOOIJ 27OCT2004
TOLERANCES UNLESS OTHERWISE SPECIFIED:		APVD B.MOOIJ 27OCT2004
6-PLC ±		NAME
1-PLC ±		108-19082
2-PLC ±		APPLICATION SPEC
3-PLC ±		114-19029
4-PLC ±		WEIGHT 0.00000
ANGLES ±		FINISH
MATERIAL		SCALE 5:1

OBSOLETE	3		3-5106773-0
OBSOLETE	6		1-5106773-9
	9		5106773-9
OBSOLETE	4		5106773-4
	3		5106773-1
		FINISH	PARTNUMBER
		MATERIAL	

TE Connectivity		Z-PACK 2mm HM TYPE A 110 POS. VERTICAL FEMALE CONNECTOR ASSEMBLY	
SIZE A2	CAGE CODE 00779	DRAWING NO. C=5106773	RESTRICTED TO -
CUSTOMER DRAWING		SCALE 5:1	SHEET 1 of 1
		REV K2	