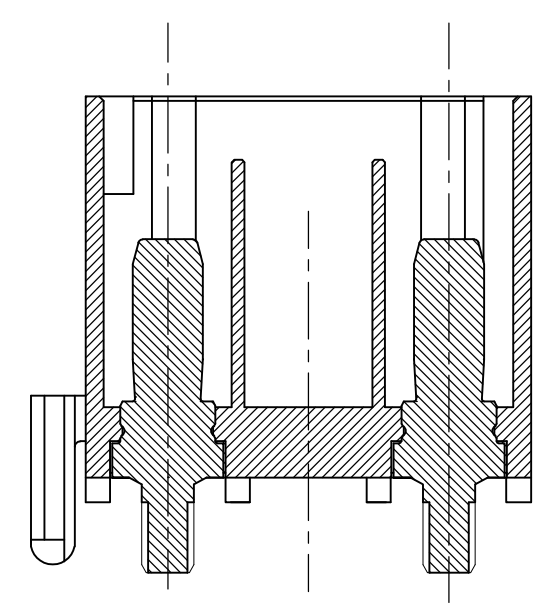
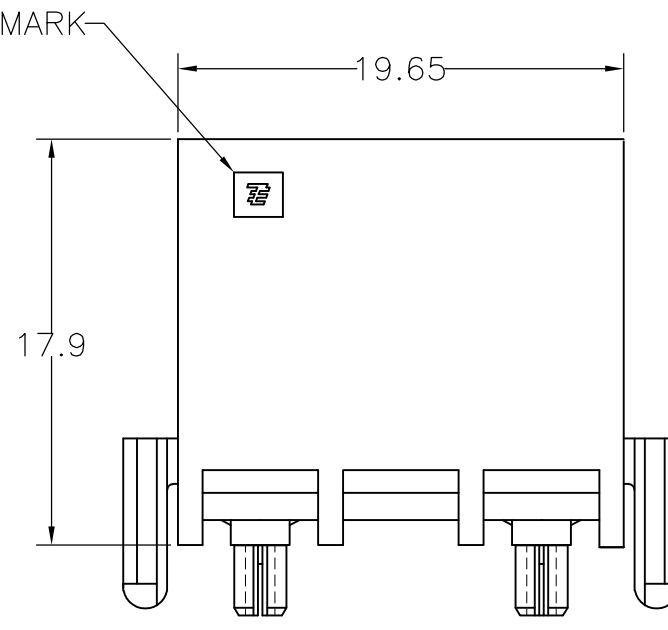
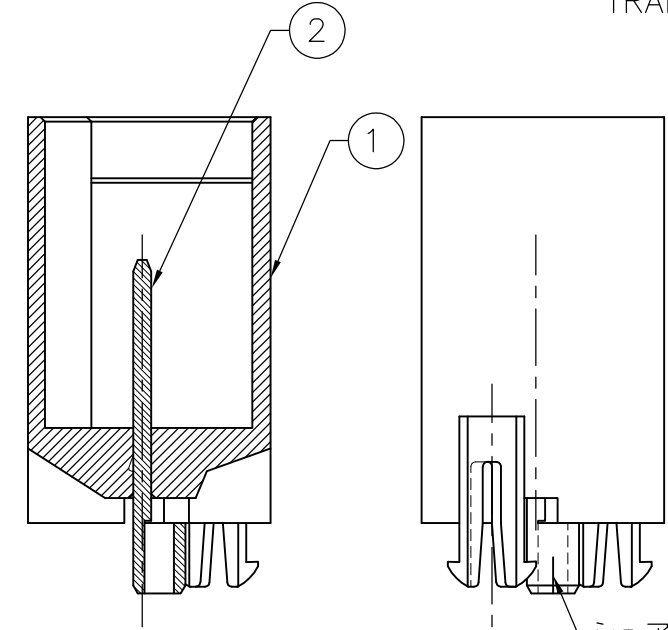
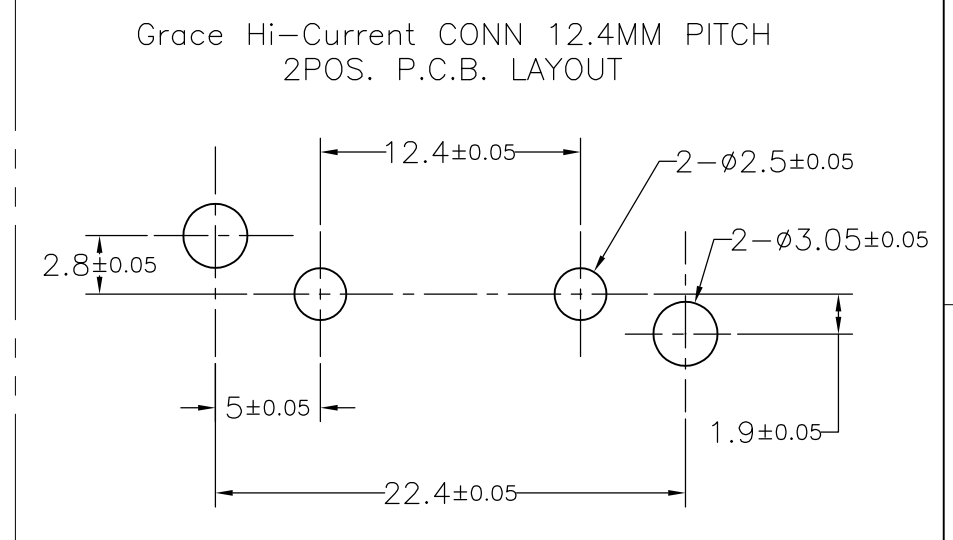
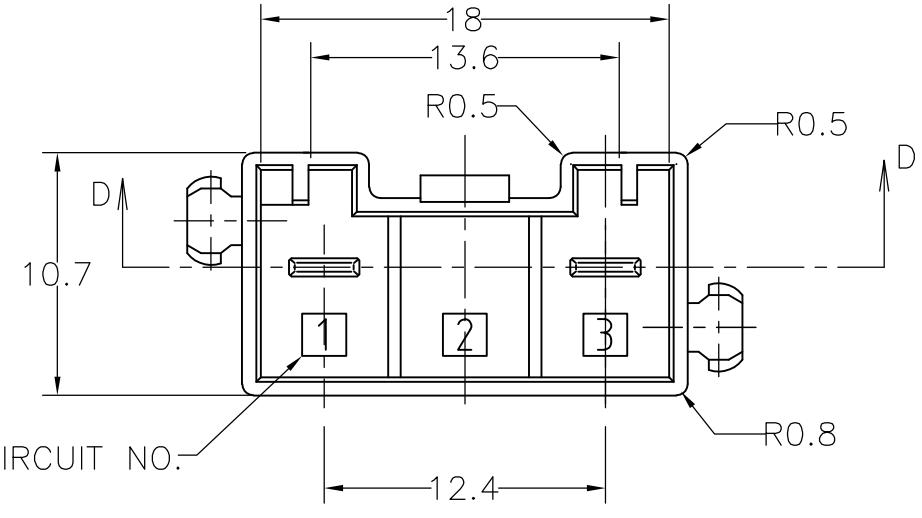


THIS DRAWING IS UNPUBLISHED. RELEASED FOR PUBLICATION
 © COPYRIGHT BY TYCO ELECTRONICS CORPORATION. ALL RIGHTS RESERVED.

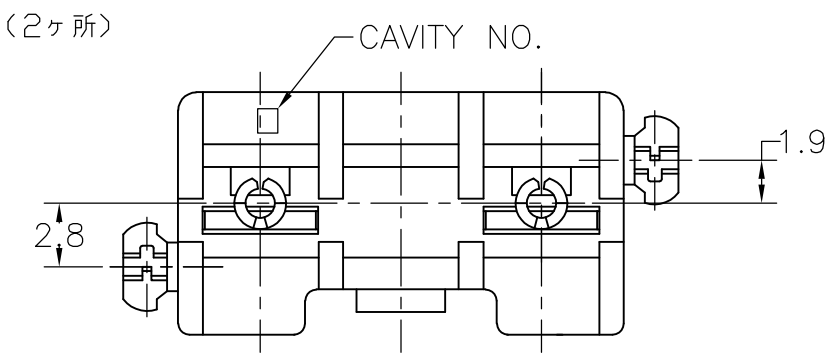
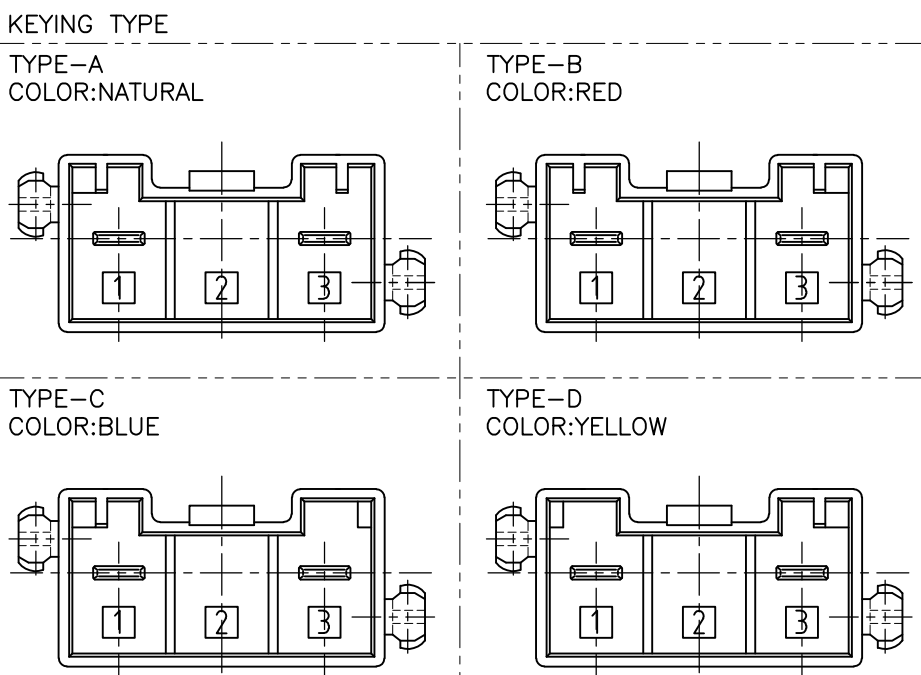
LOC	DIST	REVISIONS					
J	—	P	LTR	DESCRIPTION	DATE	DWN	APVD
			B1	REVISED PER ECR-10-019989	05OCT10	HMR	TM

注)
 △嵌合相手製品型番
 プラグハウジング : SEE TABLE
 リセコンタクト : 1746971-1
 : 1746972-1
 △色むらが出る可能性があります。

NOTES)
 △MATING CONN. P/N
 PLUG HOUSING : SEE TABLE
 REC CONTACT : 1746971-1
 : 1746972-1
 △AN UNEVEN COLORING MIGHT COME OUT.



NO.	名称(NAME)	材料(MATERIAL)
②	ヘッダーハウジング (HEADER HOUSING)	6/6ナイロンガラス強化 (6/6 NYLON GRASS FILLED)
①	タブ(TAB)	錫めっき済み銅合金 (COPPER ALLOY TIN PLATED)



THIS DRAWING IS A CONTROLLED DOCUMENT.

DIMENSIONS: 単位: 耗 mm	TOLERANCES UNLESS OTHERWISE SPECIFIED: 一般公差	DWN A.OISHI 7DEC2004	Tyco Electronics AMP K.K. Kawasaki, Japan
	0 PLC ± 0.3	CHK N.YAMASAKI 7DEC2004	
	1 PLC ± 0.3	APVD S.MANABE 7DEC2004	
MATERIAL 材料	FINISH 仕上	NAME 名称 GRACE HI CURRENT CONNECTOR(GHC) EYELET 12.4 MM PITCH 2POS HEADER ASSY	

PRODUCT SPEC 製品規格 108-78232	SIZE A3	CAGE CODE 00779	DRAWING NO 番号 G-1747996	RESTRICTED TO
APPLICATION SPEC 取付適用規格	WEIGHT -	SCALE 尺度 3:1	SHEET 1 OF 1	REV B1

CUSTOMER DRAWING