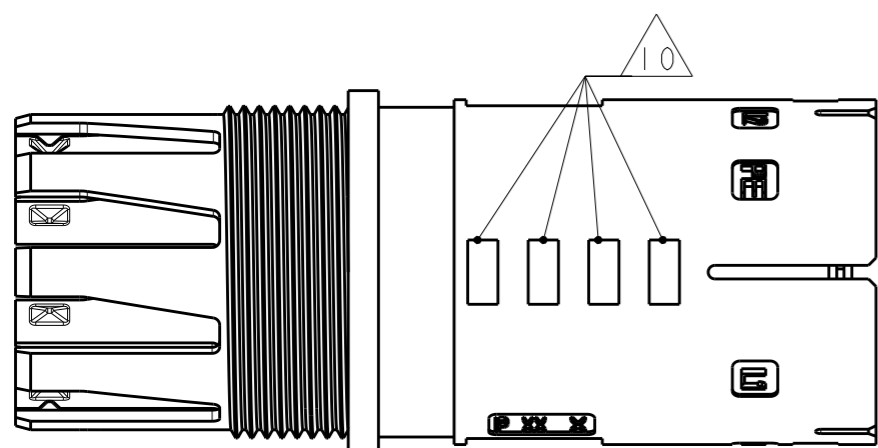
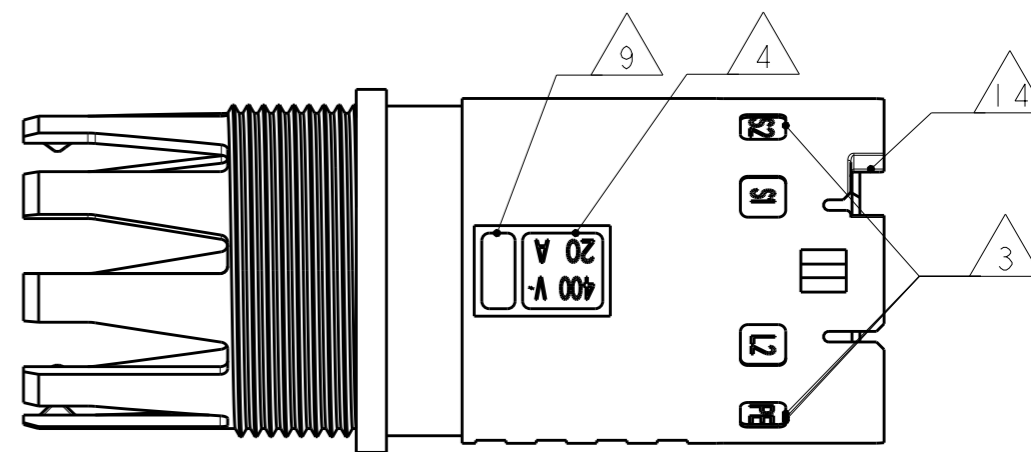
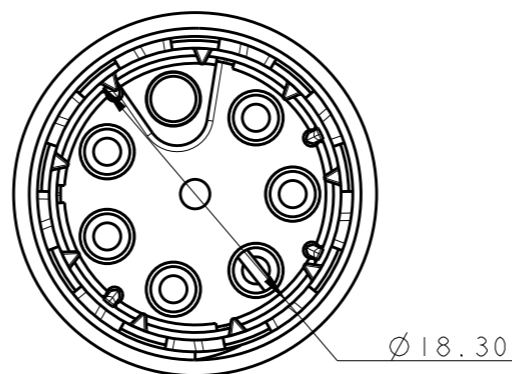
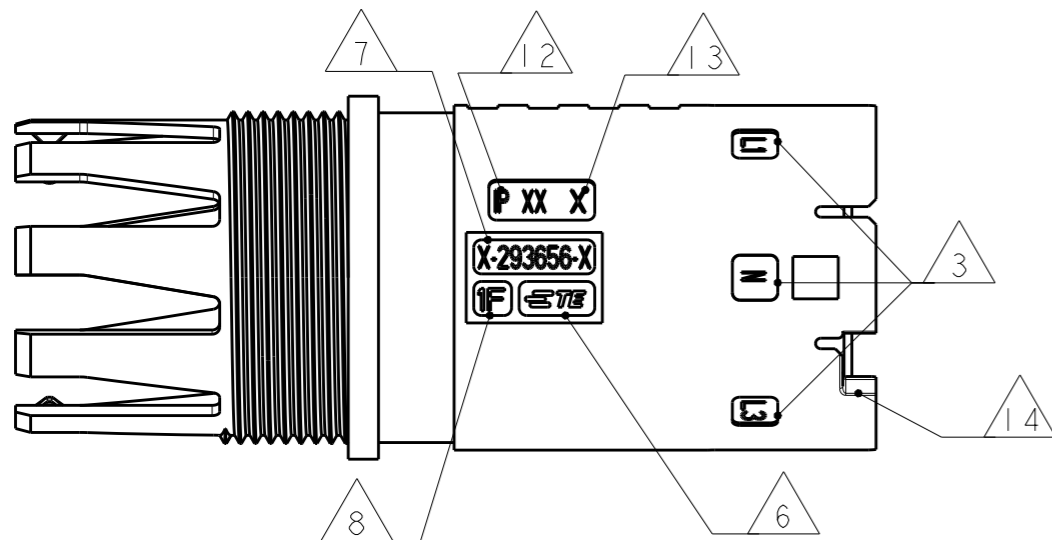


THIS DRAWING IS UNPUBLISHED. RELEASED FOR PUBLICATION 2011  
© COPYRIGHT 2011 BY - ALL RIGHTS RESERVED.

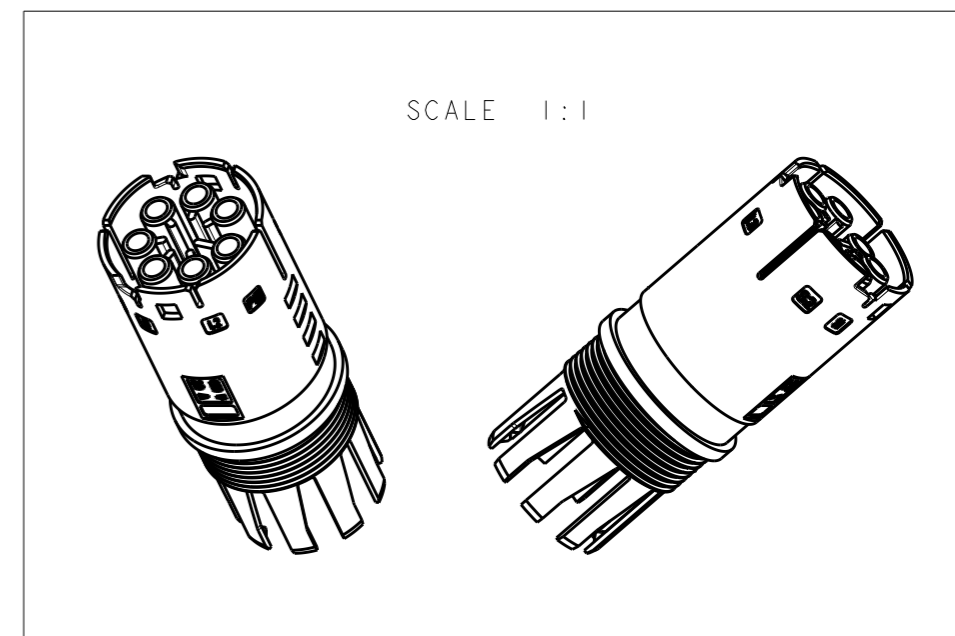
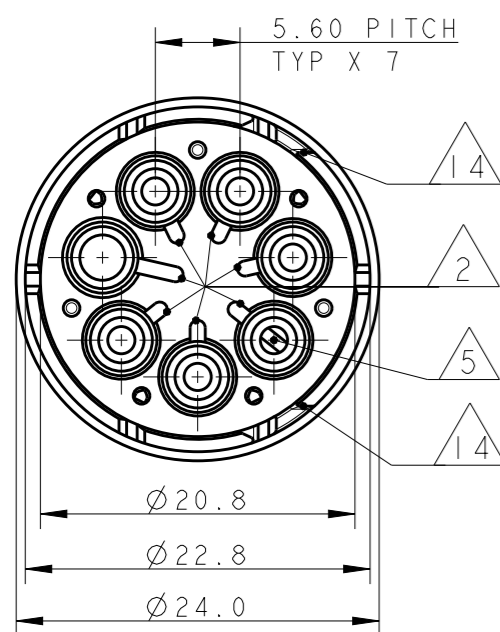
LOC	DIST	REVISIONS			
P	LTR	DESCRIPTION	DATE	DWN	APVD
	6	UPDATED	23JUL2013	MZ	JC
	A	PARTS RELEASED FOR PRODUCTION	17SEP2013	KR	JC
	A1	ECR-18-006945	18JUN2018	SR	MZ




NOTES:

- 1 MATERIAL: PA GF (NATURAL AND BLACK COLOUR)
- 2 ALL POLARIZATION KEYS SHOWN FOR REF ONLY
- 3 WAYS I.D.
- 4 VOLTAGE AND CURRENT RATINGS
- 5 RIB CLOSING CAVITIES BY CHANGE OVER
- 6 TE LOGO
- 7 TE PART NUMBER
- 8 DATA CODE
- 9 AREA FOR AGENCIES APPROVAL LOGO
- 10 VISUAL INDOCATOR FOR PE CONDUCTOR

- 11) SEE C-DRAWING 293682 (LOCKING CAP) TO GET IP 40
- 12 IP CODE
- 13 CAVITY I.D.
- 14 SLOTS TO ALLOW DEALTCHING TOOL OPERATION. FOR DEALTCHING TOOL AND OPERATION REFER TO APPLICATION SPECIFICATION



THIS DRAWING IS A CONTROLLED DOCUMENT.		DWN A. BERNARDI 31MAR2011	 TE Connectivity	
DIMENSIONS: mm		CHK M. ZUCCA 31MAR2011		
TOLERANCES UNLESS OTHERWISE SPECIFIED:		APVD G. TURCO 31MAR2011	NAME SOCKET HOUSING 6 POLES FREE HANGING M-LINE NECTOR UNSEALED VERSION	
0 PLC ±- 1 PLC ±0.3 2 PLC ±0.20 3 PLC ±- 4 PLC ±- ANGLES ±3°		PRODUCT SPEC 108-20324	SIZE A300779	
MATERIAL -		APPLICATION SPEC 114-20169	CAGE CODE C-293656	DRAWING NO
FINISH -		WEIGHT -	RESTRICTED TO -	
		Customer Drawing	SCALE 2:1	SHEET 1 OF 2 REV A1

4

3

2

1

THIS DRAWING IS UNPUBLISHED.

RELEASED FOR PUBLICATION

2011

© COPYRIGHT 2011 BY -

ALL RIGHTS RESERVED.

LOC	DIST	REVISIONS			
P	LTR	DESCRIPTION	DATE	DWN	APVD
		SEE SHEET 1			

POLARIZATION TYPES

POLARIZATION  
TYPE "C"POLARIZATION  
TYPE "D"POLARIZATION  
TYPE "E"





PNs 0-293656-3 AND  
1-293656-3~~PNs 0-293656-4 AND  
1-293656-4~~~~PNs 0-293656-5 AND  
1-293656-5~~

TABLE 1

OBSOLETE		E	BLACK	SKT HSG 6 POLES FREE HANGING NECTOR* M-LINE	A	1-293656-5
		D	BLACK	SKT HSG 6 POLES FREE HANGING NECTOR* M-LINE	A	1-293656-4
OBSOLETE		C	BLACK	SKT HSG 6 POLES FREE HANGING NECTOR* M-LINE	A	1-293656-3
		E	NATURAL	SKT HSG 6 POLES FREE HANGING NECTOR* M-LINE	A	0-293656-5
		D	NATURAL	SKT HSG 6 POLES FREE HANGING NECTOR* M-LINE	A	0-293656-4
		C	NATURAL	SKT HSG 6 POLES FREE HANGING NECTOR* M-LINE	A	0-293656-3
NOTE	POL. KEYING	COLOUR	DESCRIPTION	REV.	P/N	

THIS DRAWING IS A CONTROLLED DOCUMENT.

DIMENSIONS:

mm

TOLERANCES UNLESS  
OTHERWISE SPECIFIED:

0 PLC	±-
1 PLC	±0.3
2 PLC	±0.20
3 PLC	±-
4 PLC	±-
ANGLES	±3°

MATERIAL

-

FINISH

-

DWN 31MAR2011

A. BERNARDI

CHK 31MAR2011

M. ZUCCA

APVD 31MAR2011

G. TURCO

PRODUCT SPEC

108-20324

APPLICATION SPEC

114-20169

WEIGHT

-

Customer Drawing

TE Connectivity

NAME  
SOCKET HOUSING 6 POLES FREE HANGING  
M-LINE NECTOR  
UNSEALED VERSION

SIZE	CAGE CODE	DRAWING NO	RESTRICTED TO
A3	00779	C-293656	-

A300779 C-293656

SCALE 2:1

SHEET 2 OF 2

REV A1

1470-19 (3/11)