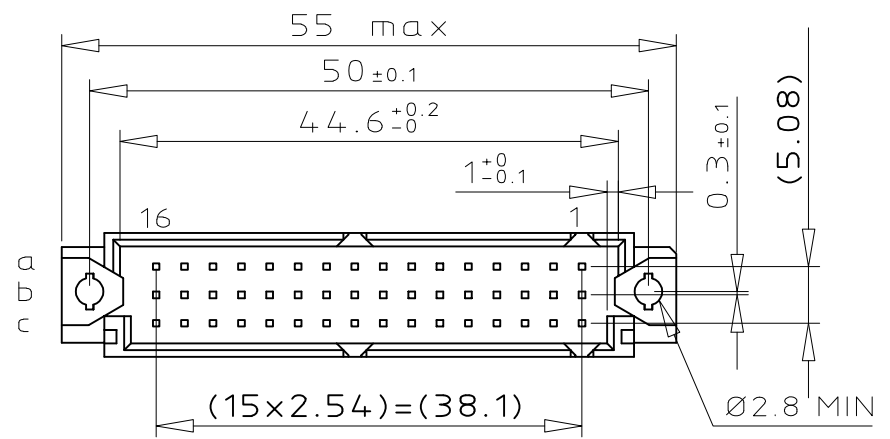
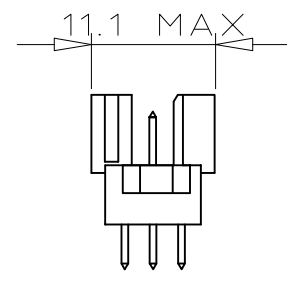
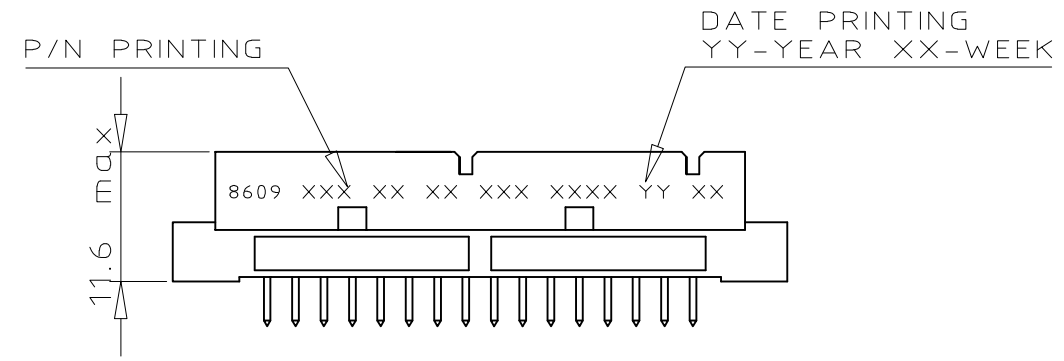
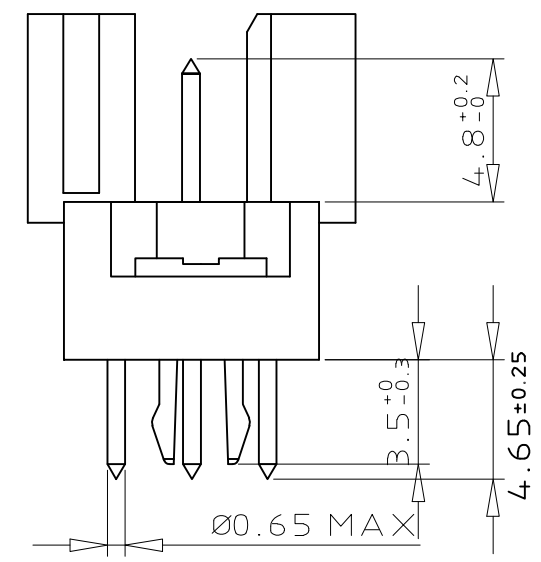


### DIMENSIONS



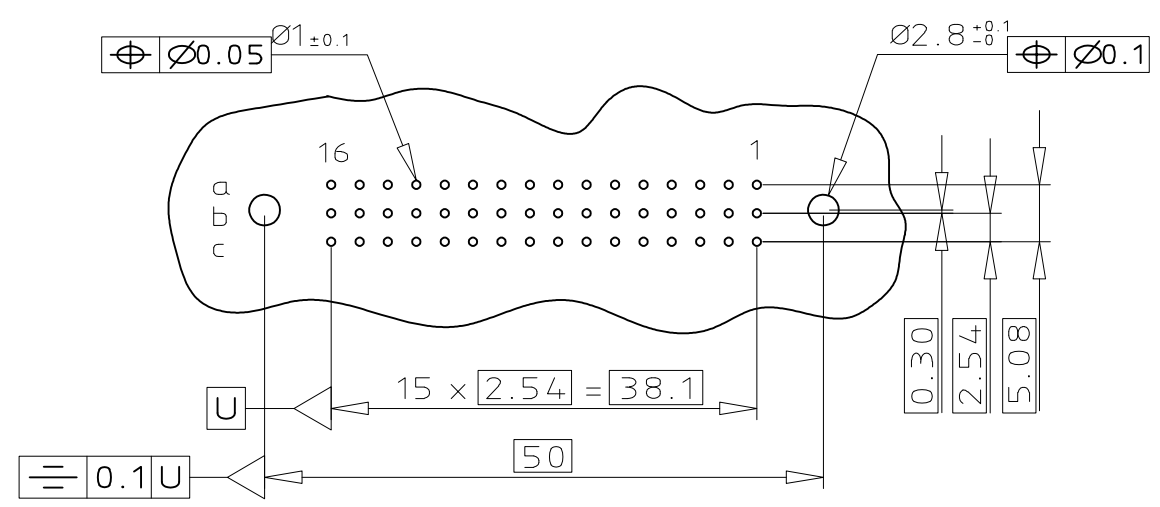
### TERMINATION



### ORDERING INFORMATION

SERIES	8609	3	48	7	6	14	7	4	5	ELF
ROWS FITTED WITH CONTACTS										
ROW a b c				3	48					
ROW a - c				4	32					
NO. OF CONTACTS										
TYPE OF INSULATOR										
3 ROW MALE INSULATOR				7						
METHOD OF MOUNTING										
REVERSE MOUNTING - STYLE R/2				6						
TERMINATION										
STRAIGHT SPILL				14						
OPTIONS										
NO OPTION				7						
WITH HARPOONS				H						
PERFORMANCE CLASS										
DIN 41612 CLASS 3				4						
DIN 41612 CLASS 2				5						
DIN 41612 CLASS 1				6						
AS PER MIL C 55302 / JSS 50808				8						
PITCH PER ROW										
2.54 mm				5						
LEAD FREE VERSION				ELF						

### PCB LAYOUT



GENERAL CHARACTERISTICS & RoHS INFO

REFER DRAWING C-8609-0000A

mat'l. code		surface		tolerance		projection		product family	
SEE DWG C-8609-0000A		ISO 1302 ✓		ISO 406 ISO 1101				8609	
ltr		ecn no		dr		date		title	
A		I04-0063		MINI		2004-09-17		DIN REVERSE HEADER	
B		I05-0042		MINI		2005-05-19		DIN 41612 STYLE R/2	
C		I06-0061		MINI		2006-05-31		0°±2°	
D		I08-0146		KR		2008-10-21		dr MINI K V 2004-09-17	
E		ELX-I-31455		MJA		2018-10-06		enr RAKHEE G 2004-09-17	
F		ELX-I-40615		MJA		2021-04-12		chr M JACOB 2021-04-12	
								appd SAN0J 2021-04-12	
sheet index		revision		F				Amphenol FCI	
sheet		1						dwg no sheet 1 of 1 size	
								C-8609-2006 A3	
								type Product Customer Drawing	

Amphenol FCI

Copyright AFCI