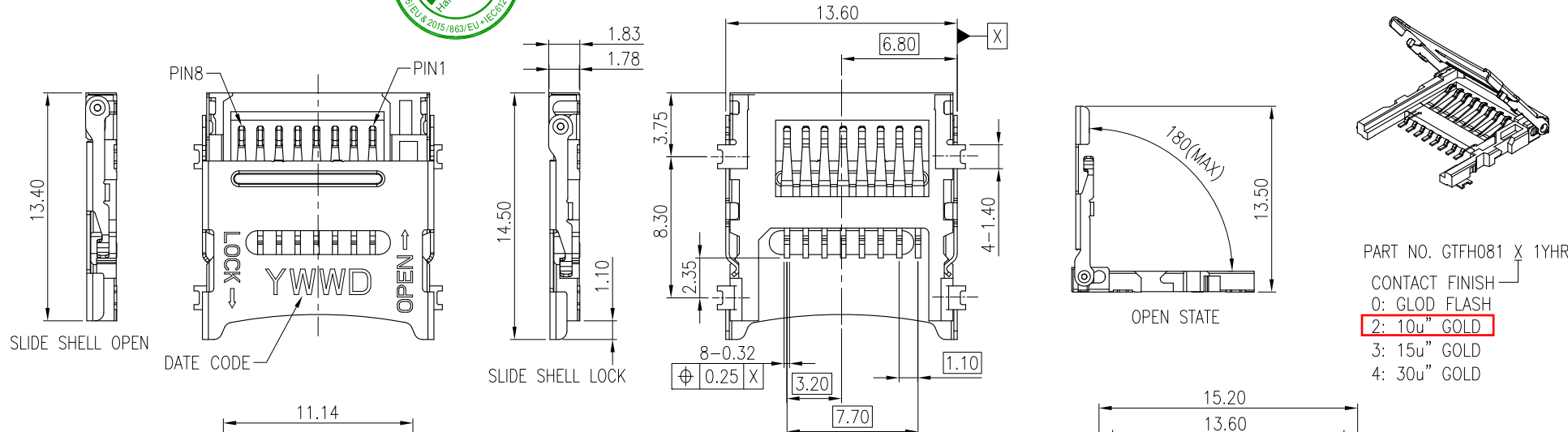


This document is the property of Amphenol Corporation and is delivered on the express condition that it is not to be disclosed, reproduced or used, in whole or in part, for manufacture or sale by anyone other than Amphenol Corporation without its prior consent, and that no right is granted to disclose or to use any information in this document.  
The marking on this product doesn't contain environmental hazardous materials per directive 2011/65/EU for RoHS compliant.



ORIGINAL

REVISIONS				
SYM	ECN No.	DESCRIPTION	DATE	APPROVED
A	NE-18105	RELEASE REVISION	06/06/2018	Roger Tsai
B	NE-20138	CHANGE DATE CODE (POSITION B2)	09/23/2020	Roger Tsai



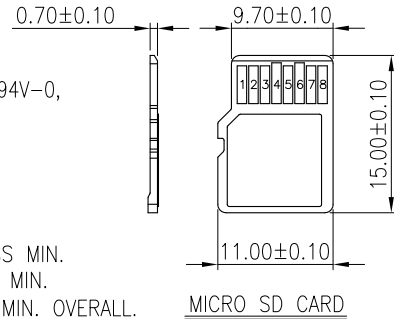
PART NO. GTFH081 X 1YHR  
CONTACT FINISH  
0: GLOD FLASH  
**2: 10u" GOLD**  
3: 15u" GOLD  
4: 30u" GOLD

NOTES:

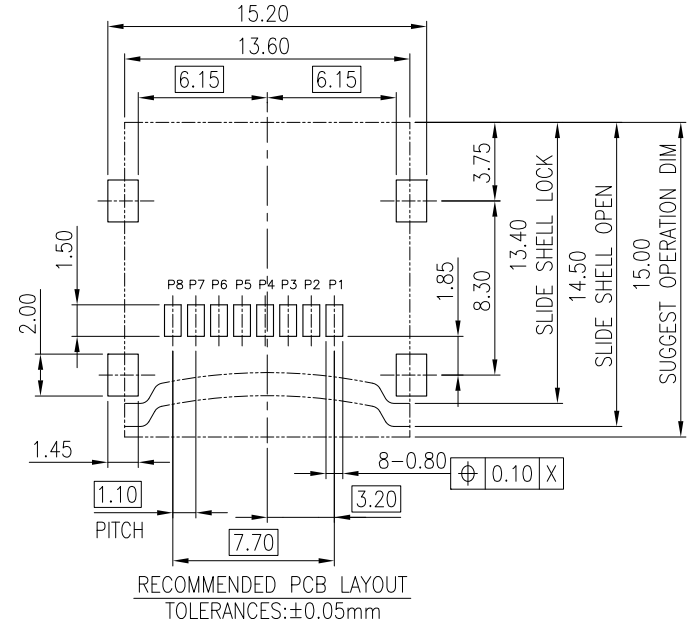
- MATERIAL:  
HOUSING: HIGH TEMPERATURE THERMAL PLASTIC LCP, UL94V-0,  
COLOR: BLACK.  
TERMINAL: COPPER ALLOY.  
SHELL: STAINLESS STEEL.
- FINISH:  
TERMINAL:  
CONTACT AREA: SELECTIVE GOLD PLATING THICKNESS MIN.  
SOLDERING AREA: GOLD FLASH PLATING THICKNESS MIN.  
UNDER PLATING: NICKEL PLATING 50u" THICKNESS MIN. OVERALL.  
SHELL:  
NICKEL PLATING 50u" THICKNESS MIN. OVERALL.  
HOLD DOWN:  
SOLDERING AREA: GOLD FLASH PLATING THICKNESS MIN.  
UNDER PLATING: NICKEL PLATING 50u" THICKNESS MIN. OVERALL.

3. OPERATING TEMPERATURE : -25°C ~ +70°C.

- THIS PRODUCT DOESN'T CONTAIN ENVIRONMENTAL HAZARDOUS PER DIRECTIVE 2011/65/EU FOR RoHS COMPLIANT. AND PER IEC 61249-2-21 FOR HALOGEN-FREE COMPLIANT.
- PRODUCT SPECIFICATION REFER TO : PS-7628.
- TEST SUMMARY REFER TO : TS-7628-001.



PIN NUMBER	PIN ASSIGNMENT
1	DAT2
2	CD/DAT3
3	CMD
4	VDD
5	CLK
6	VSS
7	DAT0
8	DAT1



TOLERANCE		APPROVALS		DATE	TITLE		Amphenol®		
X.		DRAWN	Karen Su	09/23/2020	MICRO-SD SOCKET HINGE TYPE RIGHT ANGLE SMT, H=1.80mm		Amphenol Corporation Amphenol Taiwan Corporation		
X.X	±0.30	CHECKED	Aqua Chou	09/23/2020					
X.XX	±0.20	APPROVED	Roger Tsai	09/23/2020	UNIT mm SIZE A3 SCALE NA SHEET 1 OF 2		PART No. GTFH081X1YHR		
X.XXX	±0.10	DWG TYPE	CUST DWG	PROJECT CODE			OTHER	DWG No. GTFH081X1YHR	
ANGULAR	±1°								
UNLESS OTHERWISE SPECIFIED									

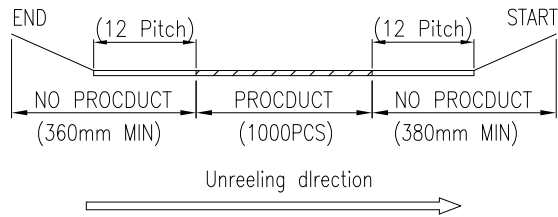
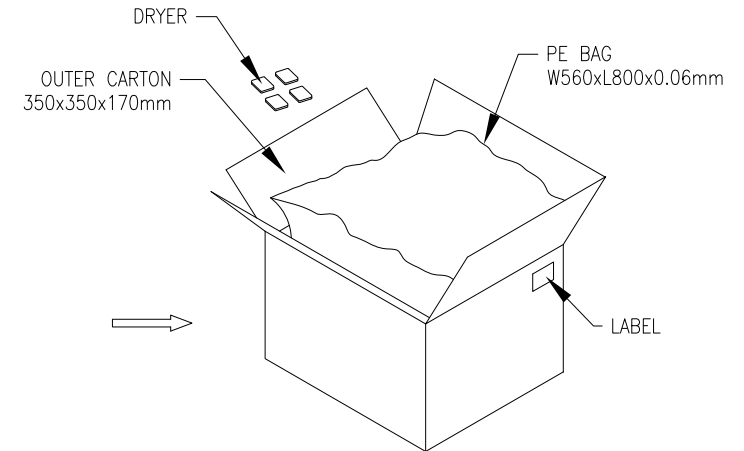
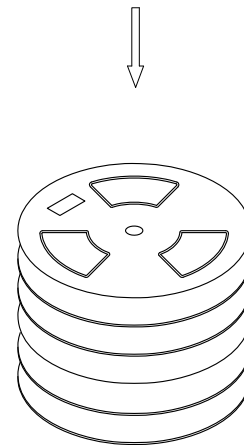
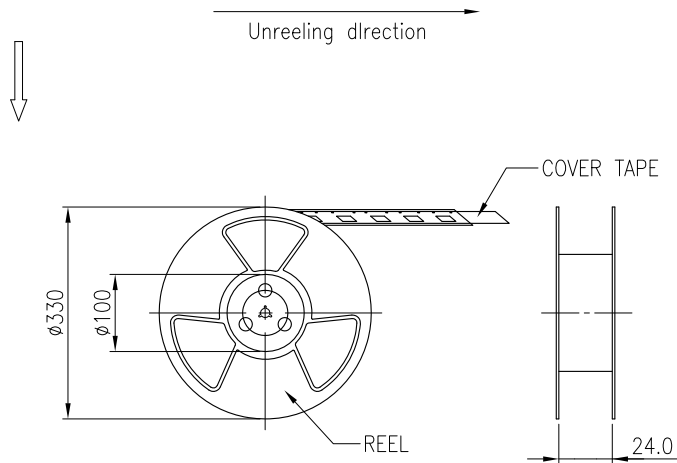
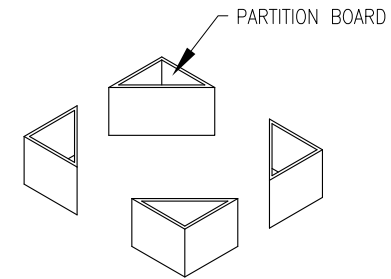
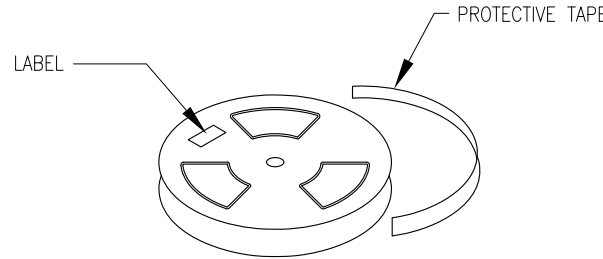
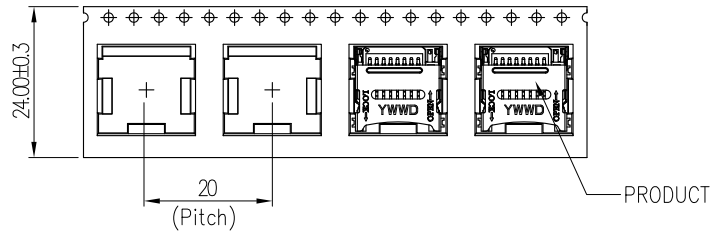
This document is the property of Amphenol Corporation and is delivered on the express condition that is not to be disclosed, reproduced or used, in whole or in part, for manufacture or sale by anyone other than Amphenol Corporation without its prior consent, and that no right is granted to disclose or to use any information in this document.  
The marking on this product doesn't contain environmental hazardous materials per directive 2011/65/EU for RoHS compliant.



ORIGINAL



REVISIONS				
SYM	ECN No.	DESCRIPTION	DATE	APPROVED
A	NE-18105	RELEASE REVISION	06/06/2018	Roger Tsai
B	NE-20138	CHANGE DATE CODE (POSITION B2)	09/23/2020	Roger Tsai



PACKAGING BY REEL	4.90 G/W KG	1.97 N/W KG	1,000 PCS/ REEL	5 REELS/ BOX	5,000 QUANTITY (PCS)	GTFH081X1YHR PART NUMBER
-------------------	-------------	-------------	-----------------	--------------	----------------------	--------------------------

TOLERANCE	APPROVALS	DATE	TITLE		PART No.	
X. ±0.30	DRAWN Karen Su	09/23/2020	MICRO-SD SOCKET HINGE TYPE RIGHT ANGLE SMT, H=1.80mm		<b>Amphenol®</b> Amphenol Corporation Amphenol Taiwan Corporation	
X.X ±0.20	CHECKED Aqua Chou	09/23/2020				
X.XX ±0.10	APPROVED Roger Tsai	09/23/2020			UNIT mm	SIZE A3
ANGULAR ±1°	DWG TYPE CUST DWG	PROJECT CODE OTHER	SCALE NA	SHEET 2 OF 2	DWG No. GTFH081X1YHR	REV. B
UNLESS OTHERWISE SPECIFIED						

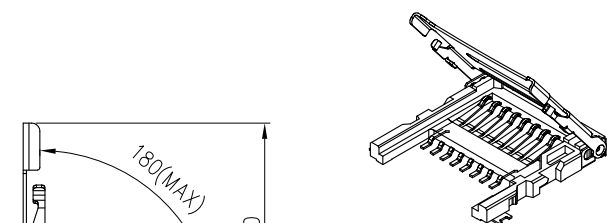
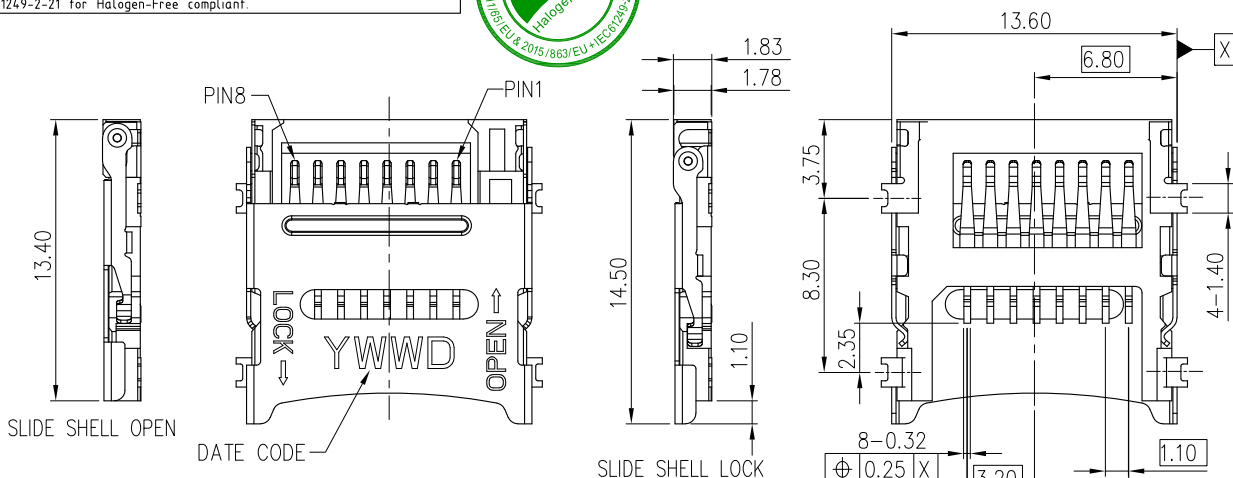
This document is the property of Amphenol Corporation and is delivered on the express condition that it is not to be disclosed, reproduced or used, in whole or in part, for manufacture or sale by anyone other than Amphenol Corporation without its prior consent, and that no right is granted to disclose or to use any information in this document.

The marking on this product doesn't contain environmental hazardous materials per directive 2011/65/EU & 2015/863/EU for RoHS compliant and per IEC 61249-2-21 for Halogen-Free compliant.

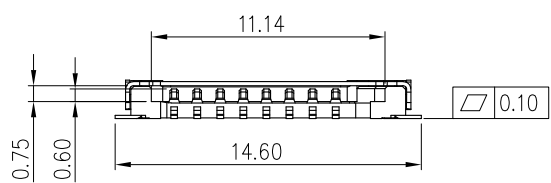


**FOR REFERENCE ONLY**

REVISIONS				
SYM	ECN No.	DESCRIPTION	DATE	BY
A	NE-18105	RELEASE REVISION	2018-06-06	Karen Su
B	NE-20138	CHANGE DATE CODE (POSITION B2)	2020-09-23	Karen Su
CX1	EDSR#12142	UPDATE NOTES NO.3/CANCEL GTFH081*2*1YHR	2022-05-05	Karen Su



PART NO. GTFH081 X 1YHR  
 CONTACT FINISH  
 0: GLOD FLASH  
 3: 15u" GOLD  
 4: 30u" GOLD



**NOTES:**

**1. MATERIAL:**

HOUSING: HIGH TEMPERATURE THERMAL PLASTIC LCP, UL94V-0,  
 COLOR: BLACK.  
 TERMINAL: COPPER ALLOY.  
 SHELL: STAINLESS STEEL.

**2. FINISH:**

TERMINAL:  
 CONTACT AREA: SELECTIVE GOLD PLATING THICKNESS MIN.  
 SOLDERING AREA: GOLD FLASH PLATING THICKNESS MIN.  
 UNDER PLATING: NICKEL PLATING 50u" THICKNESS MIN. OVERALL.

**SHELL:**

NICKEL PLATING 50u" THICKNESS MIN. OVERALL.

**HOLD DOWN:**

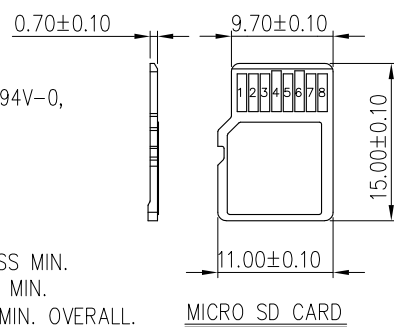
SOLDERING AREA: GOLD FLASH PLATING THICKNESS MIN.  
 UNDER PLATING: NICKEL PLATING 50u" THICKNESS MIN. OVERALL.

**3. OPERATING TEMPERATURE : -25°C ~ +85°C.**

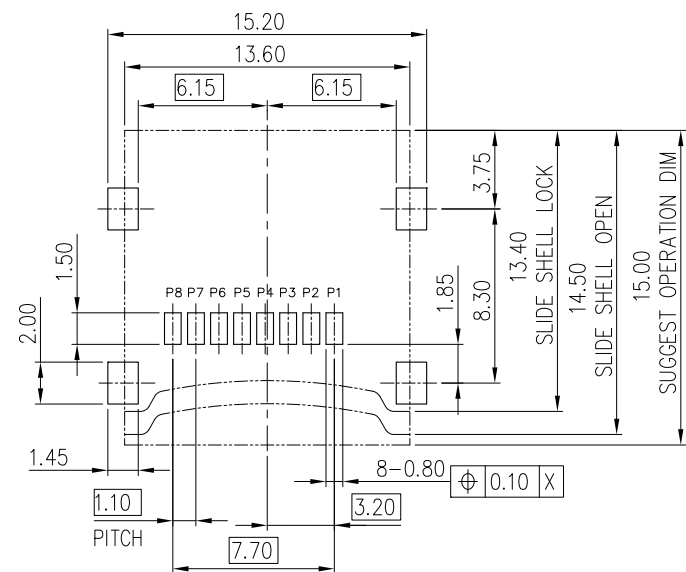
**4. THIS PRODUCT DOESN'T CONTAIN ENVIRONMENTAL HAZARDOUS PER DIRECTIVE 2011/65/EU & 2015/863/EU FOR RoHS COMPLIANT. AND PER IEC 61249-2-21 FOR HALOGEN-FREE COMPLIANT.**

**5. PRODUCT SPECIFICATION REFER TO : PS-7628.**

**6. TEST SUMMARY REFER TO : TS-7628-001.**



PIN NUMBER	PIN ASSIGNMENT
1	DAT2
2	CD/DAT3
3	CMD
4	VDD
5	CLK
6	VSS
7	DAT0
8	DAT1



RECOMMENDED PCB LAYOUT  
 TOLERANCES: ±0.05mm

TOLERANCE	APPROVALS	DATE	TITLE	UNIT	SIZE	PART No.
X. ±0.30	DRAWN Karen Su	2022-05-05	MICRO-SD SOCKET HINGE TYPE RIGHT ANGLE SMT, H=1.80mm	mm	A3	GTFH081X1YHR
X.X ±0.20	CHECKED Joseph Jiang	2022-05-05				
X.XX ±0.10	APPROVED Roger Tsai	2022-05-05		NA	SHEET 1 OF 2	GTFH081X1YHR
ANGULAR ±1'	DWG TYPE CUST DWG	PROJECT CODE OTHER				
UNLESS OTHERWISE SPECIFIED						

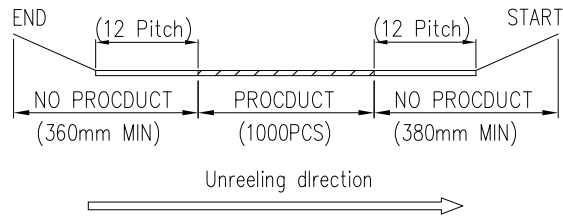
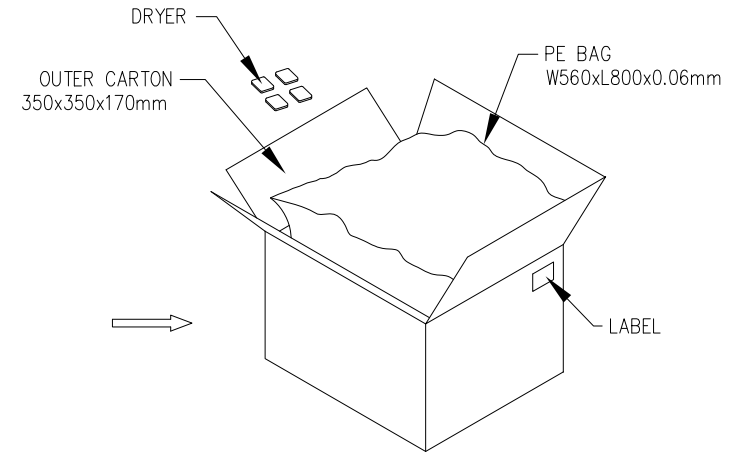
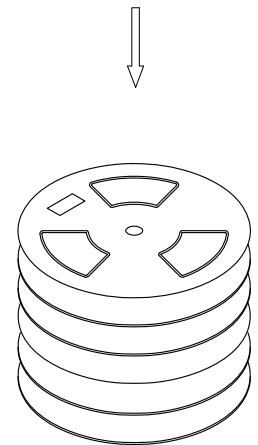
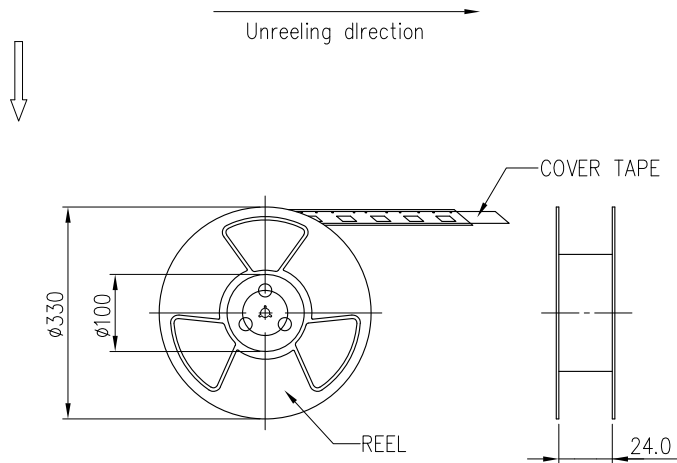
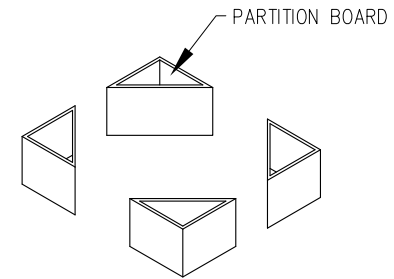
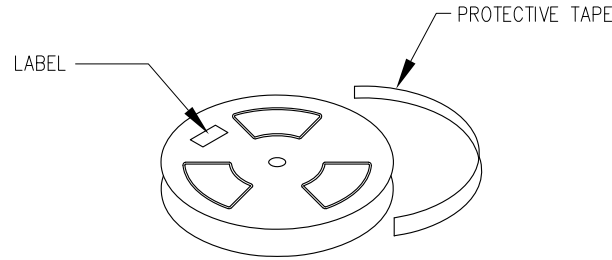
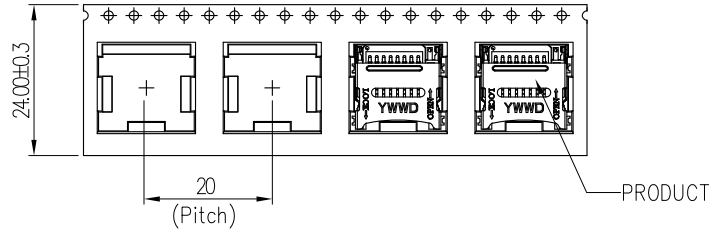
**Amphenol**<sup>®</sup>  
 Amphenol Corporation  
 Amphenol Taiwan Corporation

This document is the property of Amphenol Corporation and is delivered on the express condition that is not to be disclosed, reproduced or used, in whole or in part, for manufacture or sale by anyone other than Amphenol Corporation without its prior consent, and that no right is granted to disclose or to use any information in this document.  
 The marking on this product doesn't contain environmental hazardous materials per directive 2011/65/EU & 2015/863/EU for RoHS compliant and per IEC 61249-2-21 for Halogen-Free compliant.



**FOR REFERENCE ONLY**

REVISIONS					
SYM	ECN No.	DESCRIPTION	DATE	BY	
A	NE-18105	RELEASE REVISION	2018-06-06	Karen Su	
B	NE-20138	CHANGE DATE CODE (POSITION B2)	2020-09-23	Karen Su	
CX1	EDSR#12142	UPDATE NOTES NO.3/CANCEL GTFH081*2*1YHR	2022-05-05	Karen Su	



PACKAGING BY REEL	4.90 G/W KG	1.97 N/W KG	1,000 PCS/ REEL	5 REELS/ BOX	5,000 QUANTITY (PCS)	GTFH081X1YHR PART NUMBER
-------------------	-------------	-------------	-----------------	--------------	----------------------	--------------------------

TOLERANCE	APPROVALS	DATE	TITLE	Amphenol® Amphenol Corporation Amphenol Taiwan Corporation		
X. ±0.30	DRAWN Karen Su	2022-05-05	MICRO-SD SOCKET HINGE TYPE RIGHT ANGLE SMT, H=1.80mm	PART No. GTFH081X1YHR	DWG No. GTFH081X1YHR	REV. CX1
X.X ±0.20	CHECKED Joseph Jiang	2022-05-05				
X.XX ±0.10	APPROVED Roger Tsai	2022-05-05	UNIT mm SCALE NA	SIZE A3 SHEET 2 OF 2		
ANGULAR ±1°	DWG TYPE CUST DWG	PROJECT CODE OTHER				
UNLESS OTHERWISE SPECIFIED						