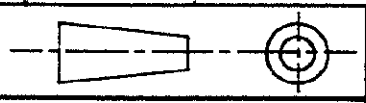


U.A.D. FILE CODE  
S.C343888.1

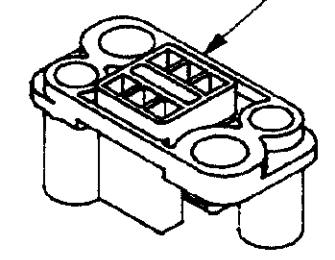
DO NOT SCALE DIMENSIONS IN MM.  
DIMENSIONS THUS ( ) IN INCHES.



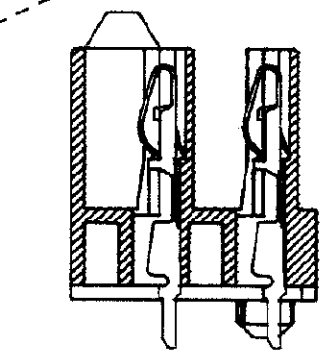
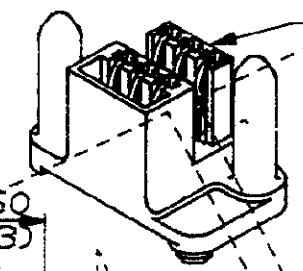
**NOTES**

1. MATES WITH 343886-1.
2. RECEIVES CONTACT No. 583293-2.
3. PERFORMANCE AS PER AMP PRODUCT SPECIFICATION 108-3080.
4. MOUNTING DETAILS: PCB TO MOUNTING PLATE DAYLIGHT 22.20 (.874) MIN. OVERALL MATED HEIGHT 25.50 MAX.
5. CONSULT AMP GB. ENGINEERING FOR FURTHER INFORMATION.

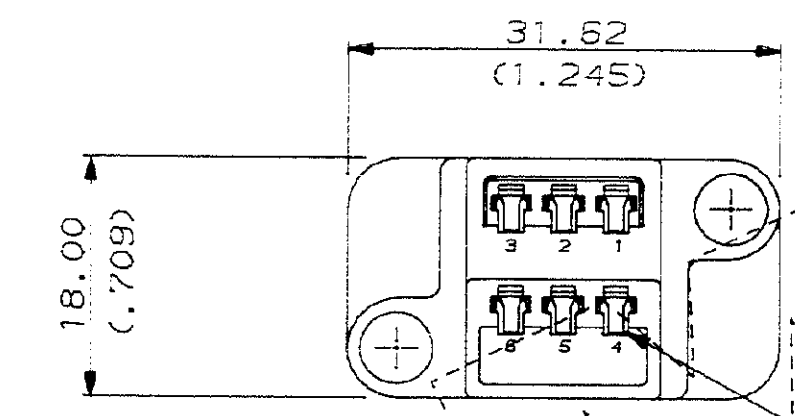
MOULDING ONLY  
343886-1  
FOR ASSEMBLY USE  
CONTACT 343371-1



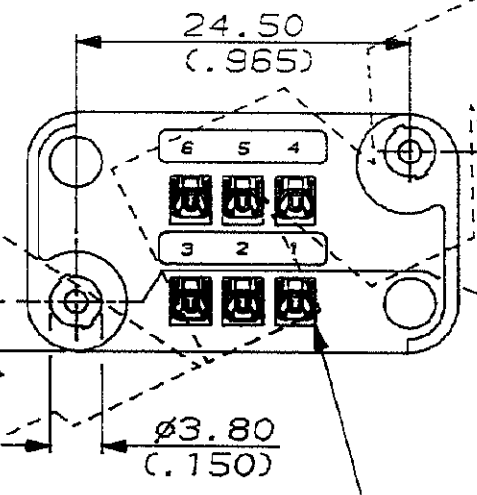
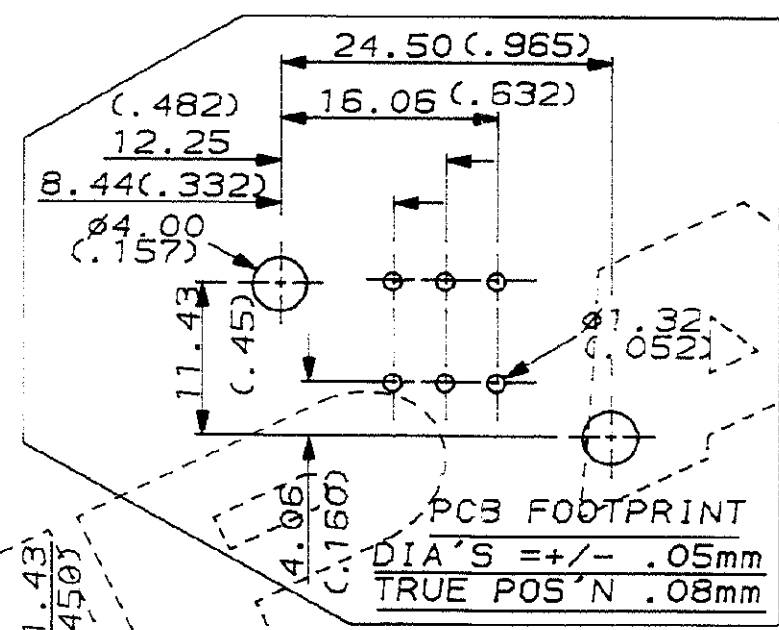
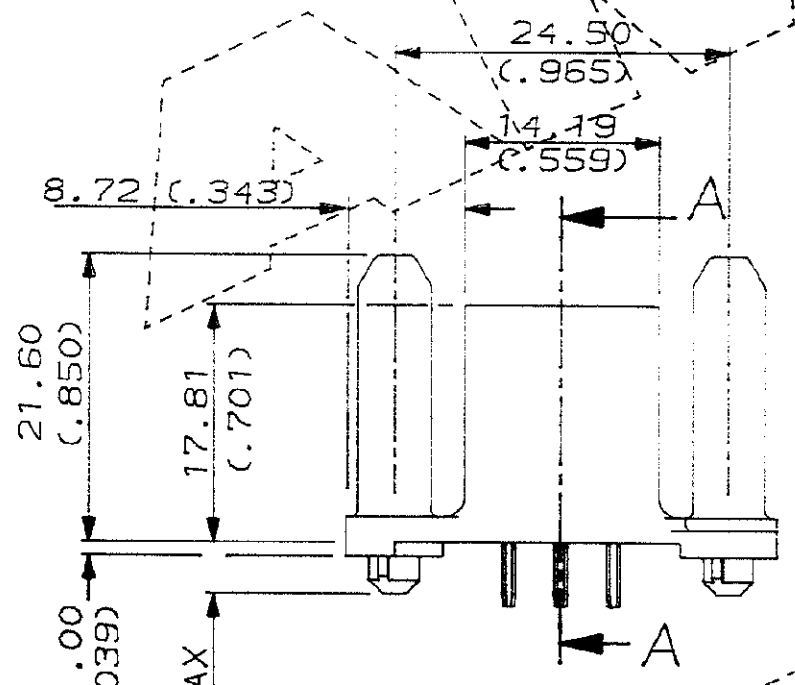
MOULDING ONLY  
343887-1  
FOR ASSEMBLY USE  
CONTACT 583294-2  
ASSEMBLY PART No.  
343888-1 OR -2



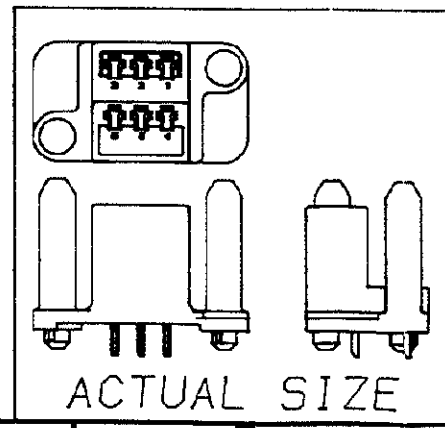
SECTION A - A



CONTACT IN CIRCUIT 4  
OMITTED FOR 343888-1



CIRCUIT No. 1



ACTUAL SIZE

6-WAY PCB HEADER, CONTACTS ALL POSITIONS.		343888-2	
6-WAY PCB HEADER, NO CONTACT IN POSITION 4		343888-1	
DESCRIPTION		PART NUMBER	
CUSTOMER DWG FOR REFERENCE ONLY		RELEASED FOR PUBLICATION 13 DEC 1988	
TOLERANCES UNLESS OTHERWISE STATED: DEC ± 0.5 ANGLES ± 1°		DR. A. J. BEKEN 13 DEC 1988 CH. R. W. BAKER APP. R. W. BAKER	
NAME PCB HEADER ASSEMBLY		AMP of Great Britain Ltd. TERMINAL HOUSE STANMORE MIDD.	
1	FIRST ISSUE	13-12-88	SCALE LOC SIZE DWG.No. REV SHEET
REV	APPROVED	ECN	DATE
			2/1 E A3 C343888 1 1/1

ASSEMBLIES NOT AVAILABLE FROM AMP GB