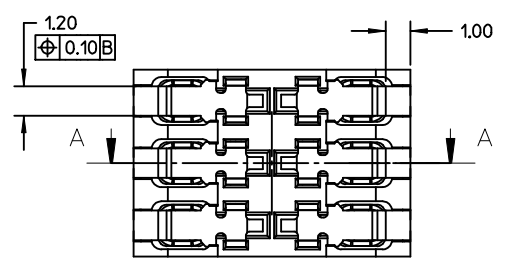
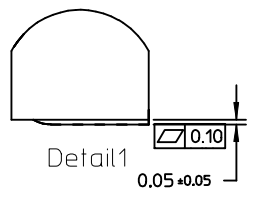
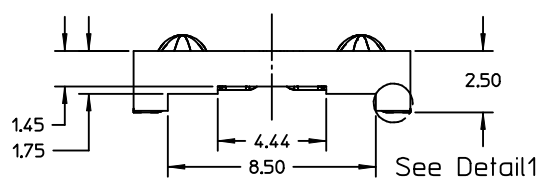
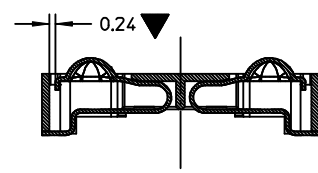
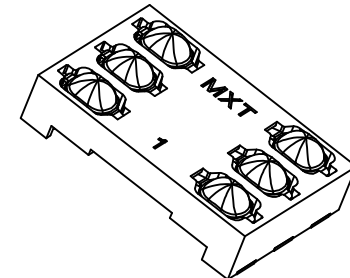
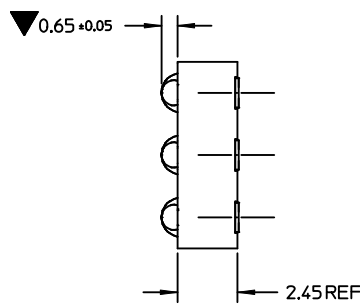
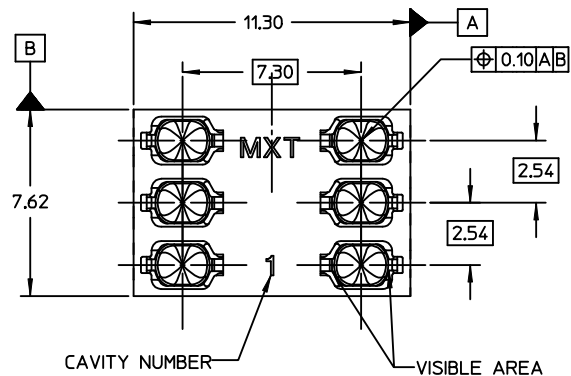


PART NAME	DRAWING NUMBER	PART NUMBER
HOUSING	E-67687-802	676872502
TERMINAL	E-67687-804	676872504

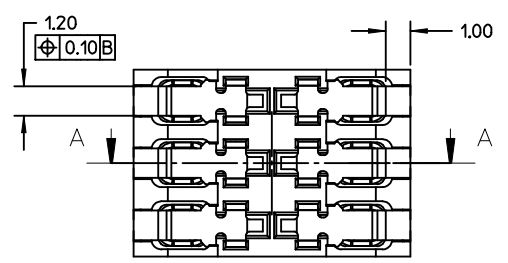
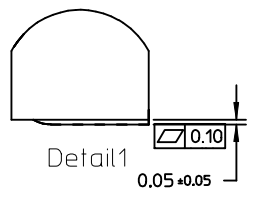
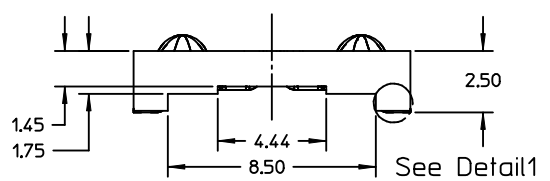
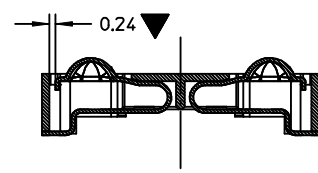
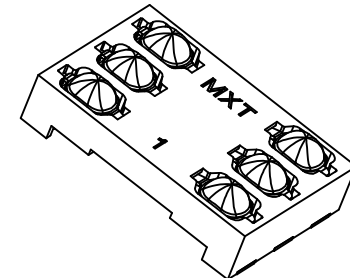
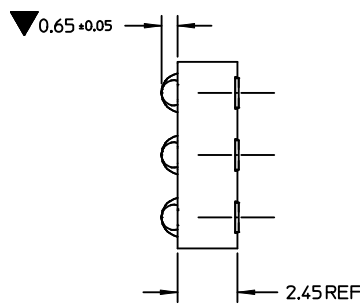
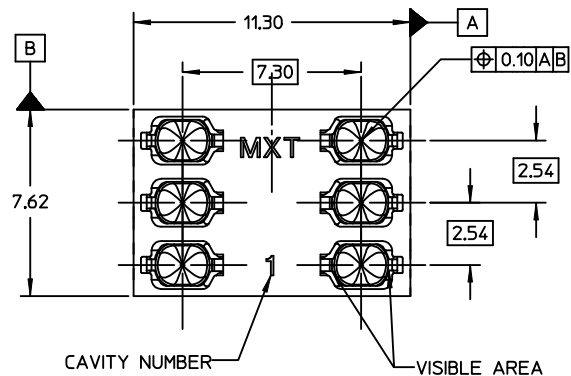


NOTES:

- 1 MATERIAL:
HOUSING: LCP, 30% GLASS FILLED, UL94V-0, BLACK
TERMINAL: PHOSPHOR BRONZE C5210R-H, THICKNESS : 0.15MM
- 2. PLATING:
SIM CARD CONTACT AREA PLATING: 30u" MIN GOLD OVER 50u" MIN NICKEL PLATING
PCB SOLDERING AREA PLATING: 120u" MIN TIN-LEAD OVER 50u" MIN NICKEL PLATING
VISIBLE AREA PLATING: GOLD FLASH OVER 50u" MIN NICKEL PLATING
- 3. PACKAGING: TAPE REEL
- 4. PRODUCT SPECIFICATION REFER TO PS-67687-001

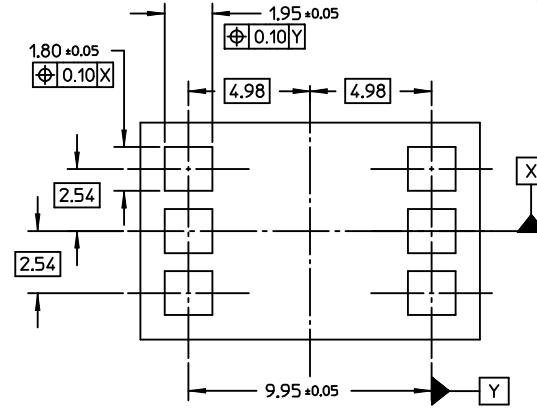
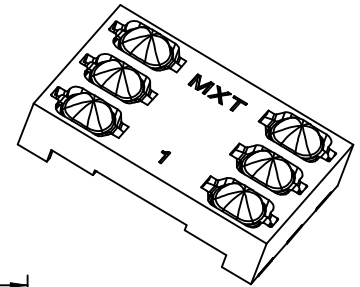
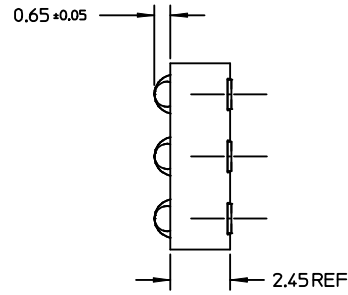
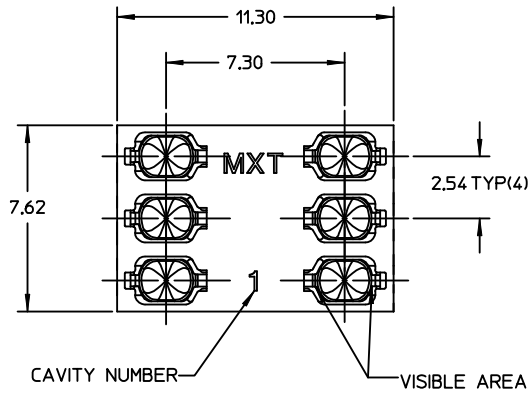
EC NO: SH2003-0071 DRWN: SSUN 2003/07/01 CHKD: 2003/07/04 APPR: SHUANG 2003/07/04 REV A	QUALITY SYMBOLS ▽ - 2 ∇ - 0	GENERAL TOLERANCES (UNLESS SPECIFIED) mm INCH 4 PLACES ± --- ± --- 3 PLACES ± --- ± --- 2 PLACES ± 0.05 ± --- 1 PLACE ± 0.10 ± --- ANGULAR ± 2 ° DRAFT WHERE APPLICABLE MUST REMAIN WITHIN DIMENSIONS	SCALE 5:1 DESIGN UNITS METRIC DIMENSION STYLE MM ONLY DRAWN BY SSUN DATE 2003/06/16 CHECKED BY DATE APPROVED BY DATE	THIRD ANGLE PROJECTION REVISE ON CAD ONLY TITLE ASSEMBLY OF SIM CARD CONNECTOR MOLEX INCORPORATED MATERIAL NO. 676872501 DOCUMENT NO. E-67687-803 SHEET NO. 1 OF 1
	THIS DRAWING CONTAINS INFORMATION THAT IS PROPRIETARY TO MOLEX INCORPORATED AND SHOULD NOT BE USED WITHOUT WRITTEN PERMISSION			
	B			
	A			

PART NAME	DRAWING NUMBER	PART NUMBER
HOUSING	E-67687-802	676872502
TERMINAL	E-67687-804	676872504

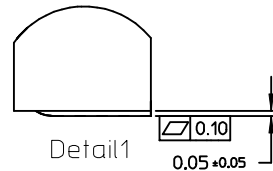
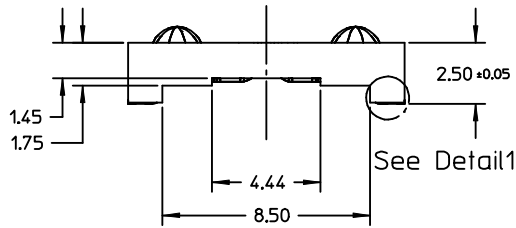


- NOTES:
- MATERIAL:
 - HOUSING: LCP, 30% GLASS FILLED, UL94V-0, BLACK
 - TERMINAL: PHOSPHOR BRONZE C5210R-H, THICKNESS : 0.15MM
 - PLATING:
 - SIM CARD CONTACT AREA PLATING: 30u" MIN GOLD OVER 50u" MIN NICKEL PLATING
 - PCB SOLDERING AREA PLATING: 120u" MIN TIN-LEAD OVER 50u" MIN NICKEL PLATING
 - VISIBLE AREA PLATING: GOLD FLASH OVER 50u" MIN NICKEL PLATING
 - PACKAGING: TAPE REEL
 - PRODUCT SPECIFICATION REFER TO PS-67687-001

EC NO: SH2003-0071 DRWN: SSUN 2003/07/01 CHKD: 2003/07/04 APPR: SHUANG 2003/07/04	QUALITY SYMBOLS	GENERAL TOLERANCES (UNLESS SPECIFIED)	SCALE 5:1	DESIGN UNITS METRIC	THIRD ANGLE PROJECTION	REVISE ON CAD ONLY
	DESCRIPTION -2 -0	mm	INCH	DIMENSION STYLE		TITLE ASSEMBLY OF SIM CARD CONNECTOR
		4 PLACES ± ---	± ---	MM ONLY		
		3 PLACES ± ---	± ---	DRAWN BY SSUN	DATE 2003/06/16	
2 PLACES ± 0.05	± ---	CHECKED BY	DATE			
1 PLACE ± 0.10	± ---	ANGULAR ± 2 °	APPROVED BY		DATE	MOLEX INCORPORATED MATERIAL NO. 676872501 DOCUMENT NO. E-67687-803 SHEET NO. 1 OF 1
DRAFT WHERE APPLICABLE MUST REMAIN WITHIN DIMENSIONS		THIS DRAWING CONTAINS INFORMATION THAT IS PROPRIETARY TO MOLEX INCORPORATED AND SHOULD NOT BE USED WITHOUT WRITTEN PERMISSION				



RECOMMEND PCB LAYOUT



NOTES:

1.MATERIAL:

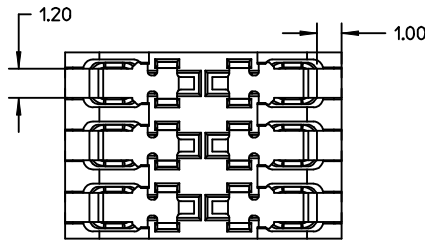
HOUSING: HIGH TEMPERATURE PLASTIC, GLASS FILLED,UL94V-0,BLACK
 TERMINAL:COPPER ALLOY

2.PLATING:

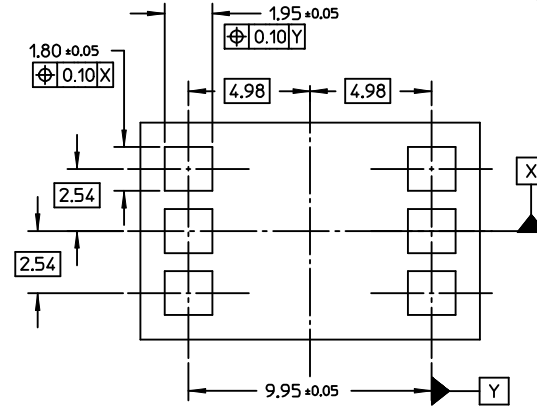
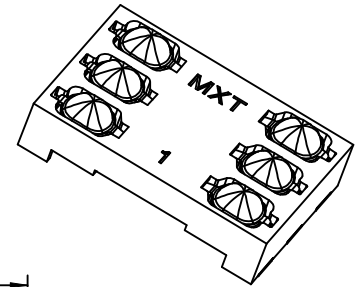
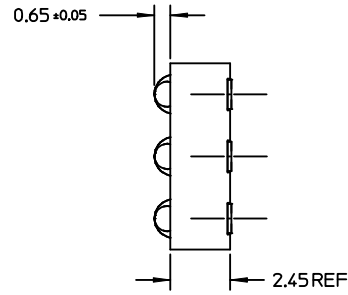
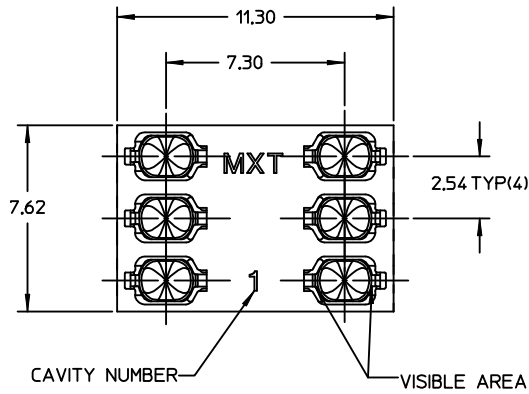
SIM CARD CONTACT AREA PLATING: 30u" MIN GOLD OVER 50u" MIN NICKEL PLATING
 PCB SOLDERING AREA PLATING: 120u" MIN TIN-LEAD OVER 50u" MIN NICKEL PLATING
 VISIBLE AREA PLATING: GOLD FLASH OVER 50u" MIN NICKEL PLATING

3.PACKAGING: TAPE REEL

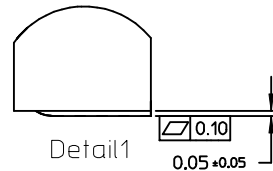
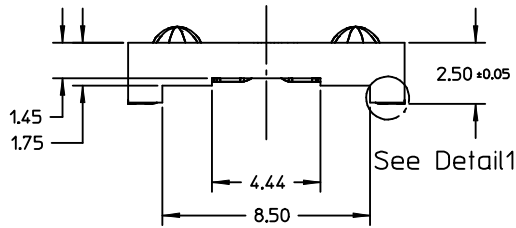
4.PRODUCT SPECIFICATION REFER TO PS-67687-001



EC NO: SH2003-0071 DRWN:SSUN 2003/07/01 CHKD: 2003/07/04 APPR:SHUANG 2003/07/04	QUALITY SYMBOLS ▽ - 0 ∇ - 0	GENERAL TOLERANCES (UNLESS SPECIFIED)		SCALE 5:1	DESIGN UNITS METRIC	THIRD ANGLE PROJECTION	REVISE ON CAD ONLY
		4 PLACES ± --- ± --- 3 PLACES ± --- ± --- 2 PLACES ± 0.2 ± --- 1 PLACE ± 0.25 ± ---	DIMENSION STYLE MM ONLY	TITLE SIM CARD CONNECTOR SALES DRAWING			
		DRAFT WHERE APPLICABLE MUST REMAIN WITHIN DIMENSIONS		APPROVED BY SSUN	DATE 2003/06/16	MOLEX INCORPORATED	
				MATERIAL NO. 676872501	DOCUMENT NO. SD-67687-801	SHEET NO. 1 OF 1	



RECOMMEND PCB LAYOUT



NOTES:

1.MATERIAL:

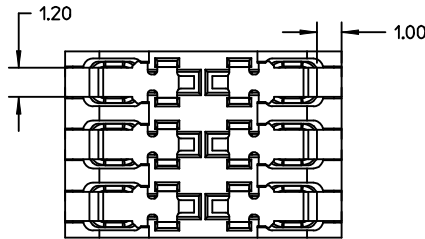
HOUSING: HIGH TEMPERATURE PLASTIC, GLASS FILLED,UL94V-0,BLACK
 TERMINAL:COPPER ALLOY

2.PLATING:

SIM CARD CONTACT AREA PLATING: 30u" MIN GOLD OVER 50u" MIN NICKEL PLATING
 PCB SOLDERING AREA PLATING: 120u" MIN TIN-LEAD OVER 50u" MIN NICKEL PLATING
 VISIBLE AREA PLATING: GOLD FLASH OVER 50u" MIN NICKEL PLATING

3.PACKAGING: TAPE REEL

4.PRODUCT SPECIFICATION REFER TO PS-67687-001



EC NO: SH2003-0071 DRWN:SSUN 2003/07/01 CHKD: 2003/07/04 APPR:SHUANG 2003/07/04	QUALITY SYMBOLS	GENERAL TOLERANCES (UNLESS SPECIFIED)	SCALE 5:1	DESIGN UNITS METRIC	THIRD ANGLE PROJECTION	REVISE ON CAD ONLY	
	DESCRIPTION ▼ - 0 ∇ - 0	mm	INCH	DIMENSION STYLE MM ONLY		TITLE SIM CARD CONNECTOR SALES DRAWING	
		4 PLACES ± ---	± ---	DRAWN BY SSUN	DATE 2003/06/16		
		3 PLACES ± ---	± ---	CHECKED BY	DATE		
2 PLACES ± 0.2	± ---	ANGULAR ± 3°		MOLEX INCORPORATED MATERIAL NO. 676872501 DOCUMENT NO. SD-67687-801 SHEET NO. 1 OF 1			
1 PLACE ± 0.25	± ---	DRAFT WHERE APPLICABLE MUST REMAIN WITHIN DIMENSIONS		APPROVED BY DATE THIS DRAWING CONTAINS INFORMATION THAT IS PROPRIETARY TO MOLEX INCORPORATED AND SHOULD NOT BE USED WITHOUT WRITTEN PERMISSION			