

MTP-D | Latch clamps, heavy-duty series

Steel



MATERIAL

Black coated weldable steel.

SHANK

Ground and hardened steel.

PULLING HOOK

Zinc-plated steel.

OSCILLATING PIN AND NUTS

Zinc-plated steel.

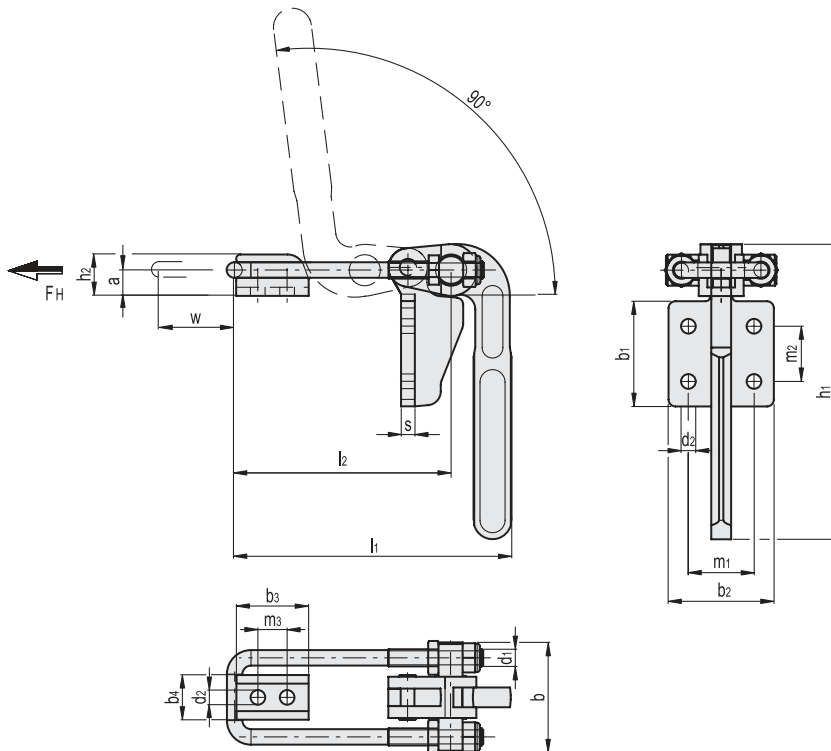
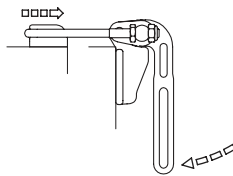
FEATURES AND APPLICATIONS

All articulated joints are lubricated with special grease.

Tight closing of any cover.

they are suitable for use with high resistant torque thanks to high mechanical resistance of materials.

The position of the pulling hook can be adjusted in length according to the specific applications.



- 1
- 2
- 3
- 4
- 5
- 6
- 7
- 8
- 9
- 10
- 11
- 12
- 13
- 14
- 15
- 16
- 17
- 18

METRIC

Code	Description	a	b	b1	b2	b3	b4	d1	d2	h1	h2	l1	l2	m1	m2	m3	s	Stroke w	FH [N]*	
GG.AL550	MTP-D-1400-T3	15	64	61	61	42	26	M10	8.5	171	24	159.5	125.5	38	32	17	8	50	12000	1235

* Holding force.



Models all rights reserved in accordance with the law. Always mention the source when reproducing our drawings and photos.



Toggle clamps