

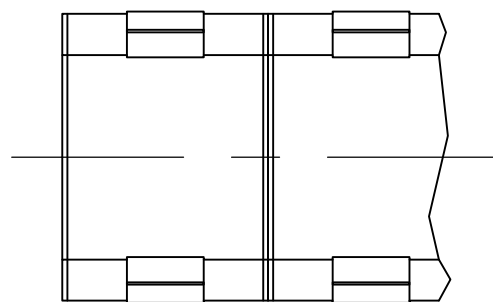
THIS DRAWING IS UNPUBLISHED. RELEASED FOR PUBLICATION

© COPYRIGHT BY TYCO ELECTRONICS CORPORATION. ALL INTERNATIONAL RIGHTS RESERVED.

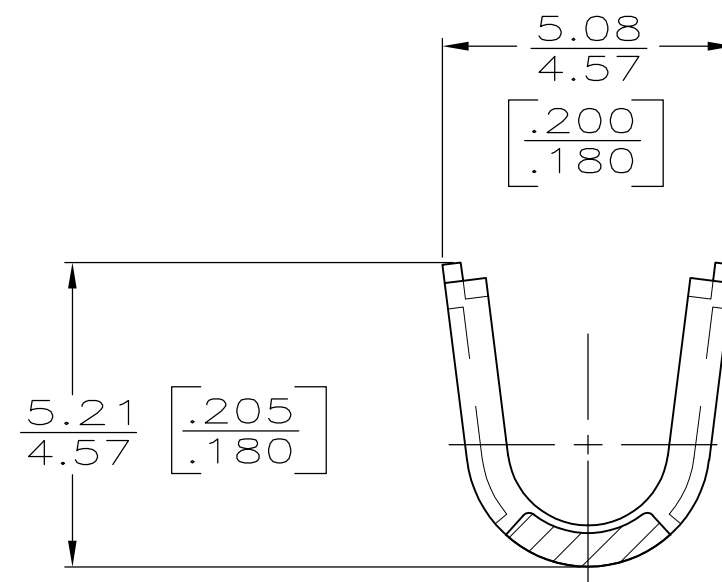
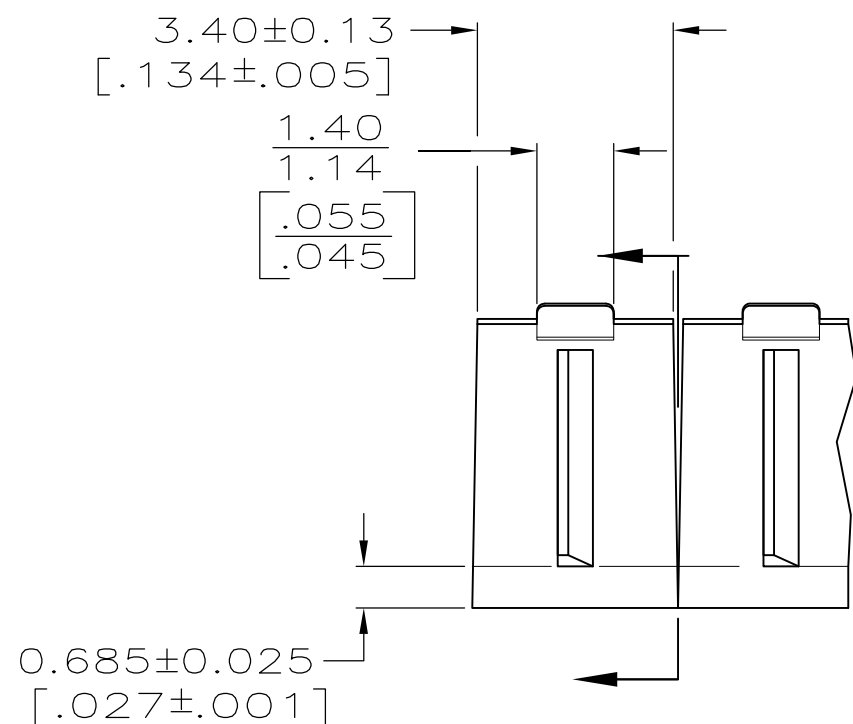
LOC AF DIST 00

REVISIONS

P	LTR	DESCRIPTION	DATE	DWN	APVD
	A	REVISED PER ECO-11-002322	03FEB11	HMR	GJ



1 CONTINUOUS STRIP ON REELS.



PRE-PLATED TIN OVER COPPER	40864-1
UNPLATED	40864
FINISH	PART NO

THIS DRAWING IS A CONTROLLED DOCUMENT.		DWN P FORTNEY 1/14/91	Tyco Electronics Corporation Harrisburg, PA 17105-3608														
DIMENSIONS: mm [INCHES]		CHK MS FEHER 1/14/91															
TOLERANCES UNLESS OTHERWISE SPECIFIED:		APVD D SCHWENK 1/16/91	NAME														
<table border="0"> <tr><td>0 PLC</td><td>± -</td></tr> <tr><td>1 PLC</td><td>± -</td></tr> <tr><td>2 PLC</td><td>± 0.25 [.010]</td></tr> <tr><td>3 PLC</td><td>± -</td></tr> <tr><td>4 PLC</td><td>± -</td></tr> <tr><td>ANGLES</td><td>± -</td></tr> </table>		0 PLC	± -	1 PLC	± -	2 PLC	± 0.25 [.010]	3 PLC	± -	4 PLC	± -	ANGLES	± -	PRODUCT SPEC	SPLICE, RESISTOR		
0 PLC	± -																
1 PLC	± -																
2 PLC	± 0.25 [.010]																
3 PLC	± -																
4 PLC	± -																
ANGLES	± -																
MATERIAL #1 HARD BRASS		FINISH SEE TABLE	APPLICATION SPEC	SIZE	CAGE CODE	DRAWING NO	RESTRICTED TO										
				A3	00779	C-40864	-										
CUSTOMER DRAWING			SCALE 8:1	SHEET 1 OF 1	REV A												