

Amphenol

Circular Interconnects

C091 Miniature Circular Connectors – EMI Shielded

Range	C 091 A	C 091 B	C 091 D
Coupling	Threaded	Bayonet	Threaded
Strain relief	Internal	Internal	Internal
Coloured Backshells	Yes	Yes	Yes
IP rating	40	40	67
Materials	Housing	Die Cast	Die Cast Ni Plated
	Dielectric	Thermoplastic	Thermoplastic
	Seal		Neoprene
	Coupler	Die Cast	Thermoplastic
Durability - cycles	500	500	500

Solder Cable Connector with 6mm cable outlet – Crimp available from 3 to 8 position, consult representative

			Part Number							
Contacts	V	I (A)	Male	Female	Male	Female	Male	Female		
3 DIN	300	5	Straight	T3260 001	T3261 001	T3274 501	T3278 501	C091 31H003 1002	C091 31D003 1002	
			Right Angle	T3260 005	T3261 005	T3274 005				
Straight			T3300 001	T3301 001	T3324 501	T3328 501	C091 31H004 1002	C091 31D004 1002		
Right Angle			T3300 005	T3301 005	T3324 005					
4 IEC		5	Straight	T3360 001	T3361 001	T3374 501	T3378 501	C091 31H005 1002	C091 31D005 1002	
			Right Angle	T3360 005	T3361 005	T3374 005				
5 S DIN		150	5	Straight	T3360 010	T3361 010	T3394 501	T3398 501	C091 31H105 1002	C091 31D105 1002
				Right Angle	T3356 005	T3357 005	T3394 005			
6 DIN	300	5	Straight	T3400 001	T3401 001	T3424 501	T3428 501	C091 31H006 1002	C091 31D006 1002	
			Right Angle	T3400 005	T3401 005	T3424 005				
7		5	Straight	T3475 001	T3476 001	T3434 501	T3438 501	C091 31H007 1002	C091 31D007 1002	
			Right Angle	T3475 005	T3476 005	T3434 005				
7 DIN	150	5	Straight	T3484 001	T3485 001	T3444 501	T3448 501	C091 31H107 1002	C091 31D107 1002	
			Right Angle	T3484 005	T3485 005	T3444 005				
8 DIN		5	Straight	T3504 001	T3505 001	T3524 501	T3528 501	C091 31H008 1002	C091 31D008 1002	
			Right Angle	T3504 005	T3505 005	T3524 005				
12	3	3	Straight	T3635 001	T3636 001	T3624 501	T3628 501	C091 31H012 2002*	C091 31D012 2002*	
			Right Angle	T3635 005	T3636 005	T3624 005				
14		3	Straight	T3650 001	T3651 001	T3644 501	T3648 501	C091 31H014 2002*	C091 31D014 2002*	
			Right Angle	T3650 005	T3651 005	T3644 005				

Female Receptacle Connector

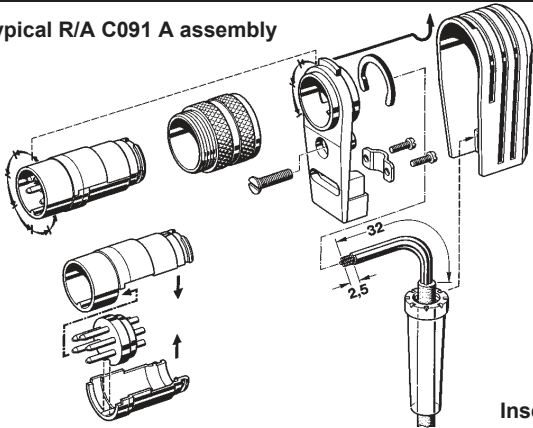
* Only available in gold plated contacts

			Part Number						
Contacts	V	I (A)	Panel Mount Solder silver contacts	R/A PCB With Boardlock gold contacts	Panel Mount Solder silver contacts	R/A PCB With Boardlock silver contact	Panel Mount Solder silver contacts	Flange Mount Solder silver contact	
3 DIN	300	5	T3263 000	T3263 900	T3277 100	T3277 600	C091 31N003 1002	C091 31T003 1002	
4 IEC			T3303 000		T3327 100		C091 31N004 1002	C091 31T004 1002	
5			T3363 000		T3377 100	T3377 600	C091 31N005 1002	C091 31T005 1002	
5 S DIN	150		T3363 010	T3359 900	T3397 100	T3397 600	C091 31N105 1002	C091 31T105 1002	
6 DIN	300		T3403 000		T3427 100	T3427 600	C091 31N006 1002	C091 31T006 1002	
7			T3478 000		T3437 100		C091 31N007 1002	C091 31T007 1002	
7 DIN	150	5	T3487 000	T3487 900	T3447 100		C091 31N107 1002	C091 31T107 1002	
8 DIN			T3507 000	T3507 900	T3527 100		C091 31N008 1002	C091 31T008 1002	
12		3	3	T3638 000		T3627 100		C091 31N012 2002*	C091 31T012 2002*
14				T3653 000		T3647 100		C091 31N014 2002*	C091 31T014 2002*

Reverse gender and Crimp types are available, consult representative or catalogue ATE 2071 08.98 5000 (ATE)

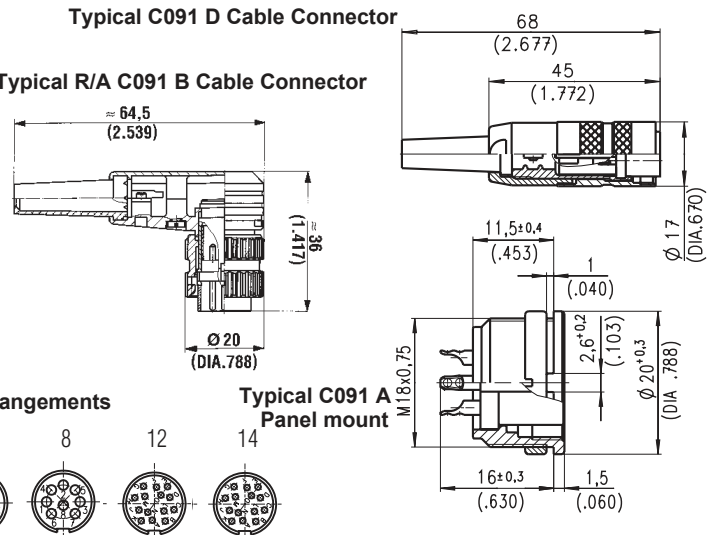
* Only available in gold plated contacts

Typical R/A C091 A assembly



Typical C091 D Cable Connector

Typical R/A C091 B Cable Connector



Insert arrangements

Typical C091 A Panel mount

