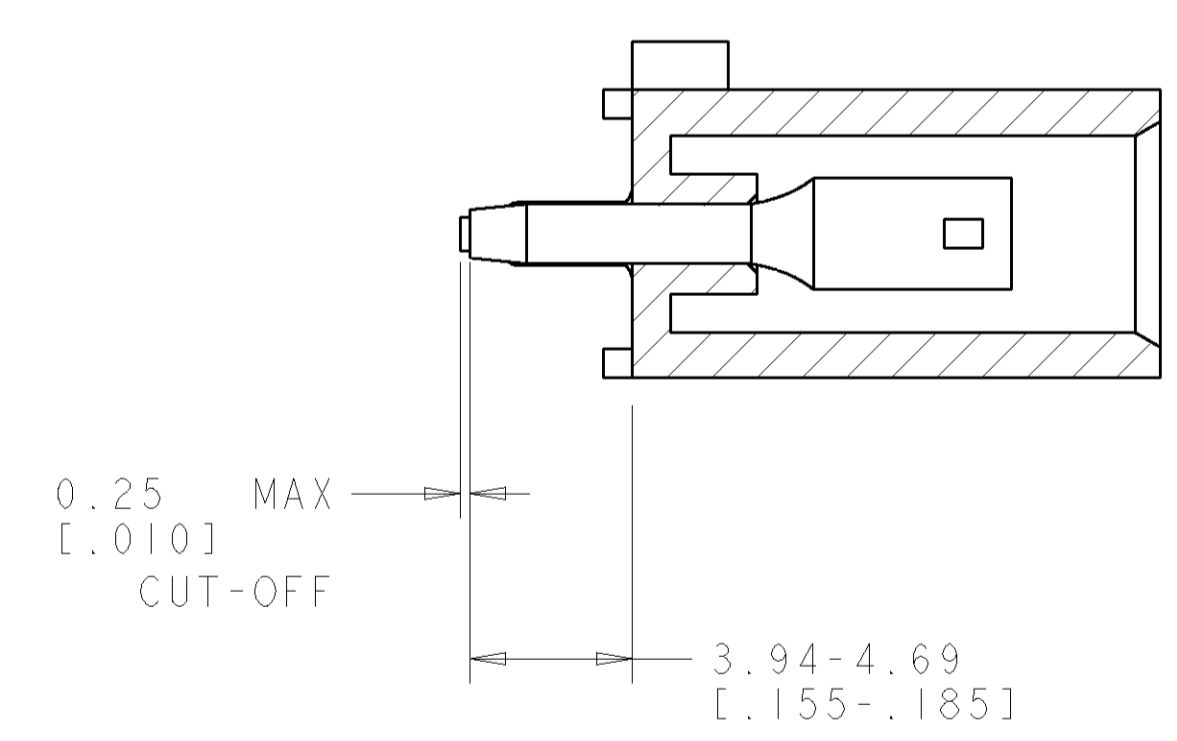
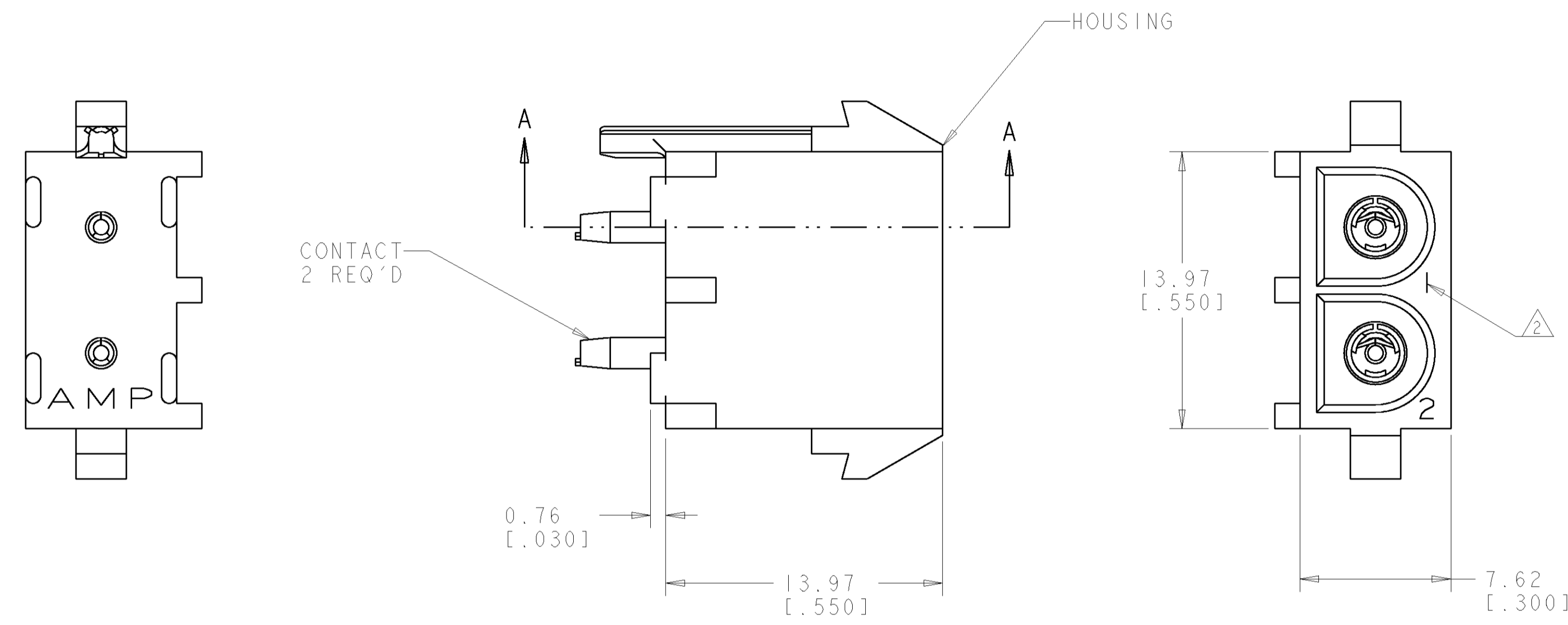
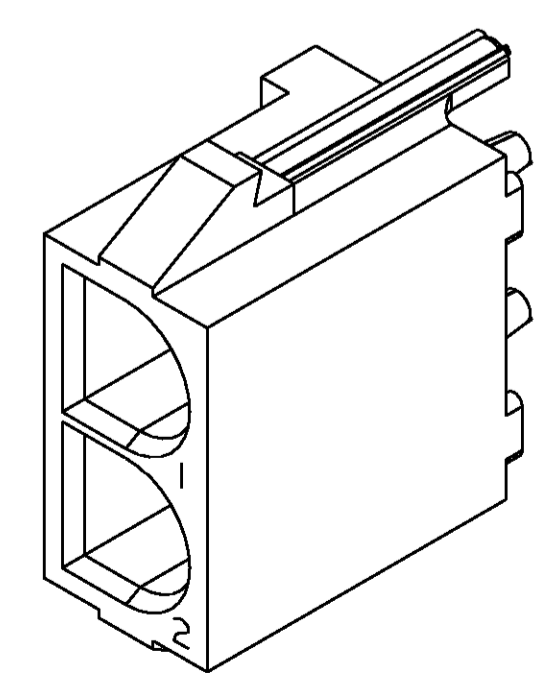


LOC		DIST		REVISIONS			
CM	00	P	LTR	DESCRIPTION	DATE	DWN	APVD
		0		REVISED PER 0638-0439-03	21-NOV-03	KW	SR

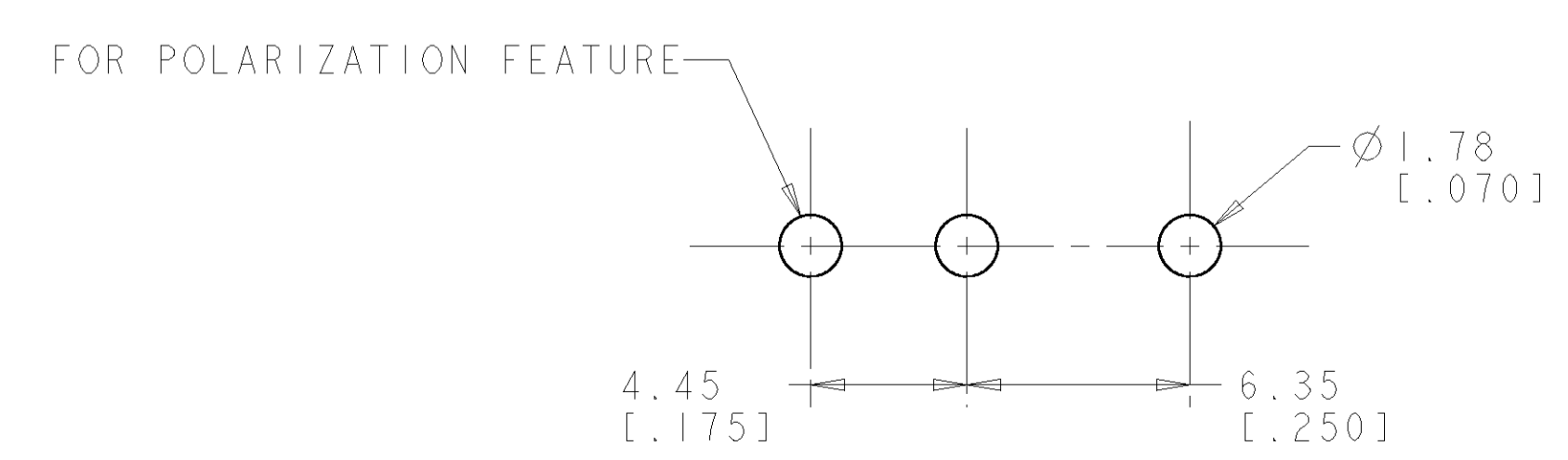
- PARTS COMPLY TO AMP SOLDERABILITY SPECIFICATION 109-11-3.
- CIRCUIT IDENTIFICATION CHARACTERS ARE ADJACENT TO THE INDICATED CAVITIES, BUT LOCATION AND ORIENTATION MAY DIFFER FROM PRINT.
- DIMENSIONS IN BRACKETS ARE IN INCHES.



SECTION A-A



3 DIMENSIONAL VIEW
SCALE 4:1



RECOMMENDED MOUNTING HOLE PATTERN
FOR 1.57 [.062] THICK P.C. BOARD

PHOSPOR BRONZE, PRE-TIN CONTACT MATERIAL AND FINISH		NYLON, UL94V-0, WHITE HOUSING MATERIAL AND COLOR		1586247-1 PART NUMBER
DIMENSIONS: mm [INCHES]		TOLERANCES UNLESS OTHERWISE SPECIFIED:		DWN R. WHITAKER 21-NOV-03 ENK S. RIDGILL 21-NOV-03 APVD S. RIDGILL 21-NOV-03 PRODUCT SPEC - APPLICATION SPEC - WEIGHT - FINISH - ANGLE 40° 30'
MATERIAL SEE TABLE		FINISH SEE TABLE		Tyco Electronics Harrisburg, PA 17105-3608 NAME: SOCKET HEADER ASSEMBLY, POLARIZED, 2 CIRCUIT, W/O DRAIN HOLES, UNIVERSAL MATE-N-LOK™ SIZE: CAGE CODE: DRAWING NO: 00779 ©=1586247 RESTRICTED TO CUSTOMER DRAWING SCALE 5:1 SHEET 1 OF 1 REV 0

