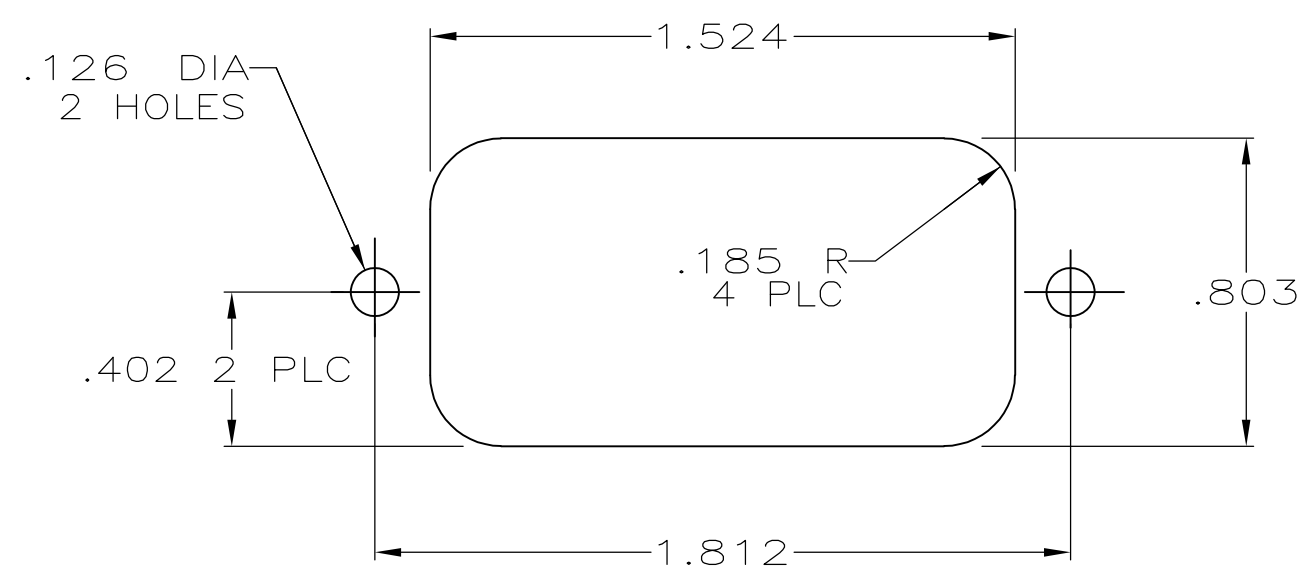
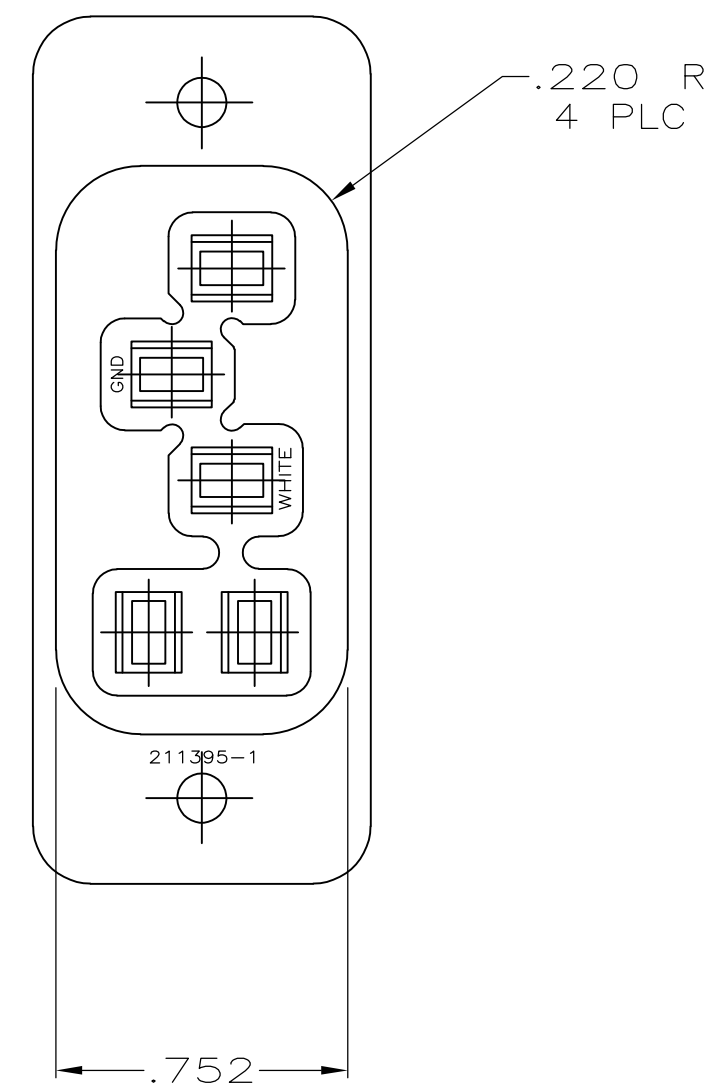
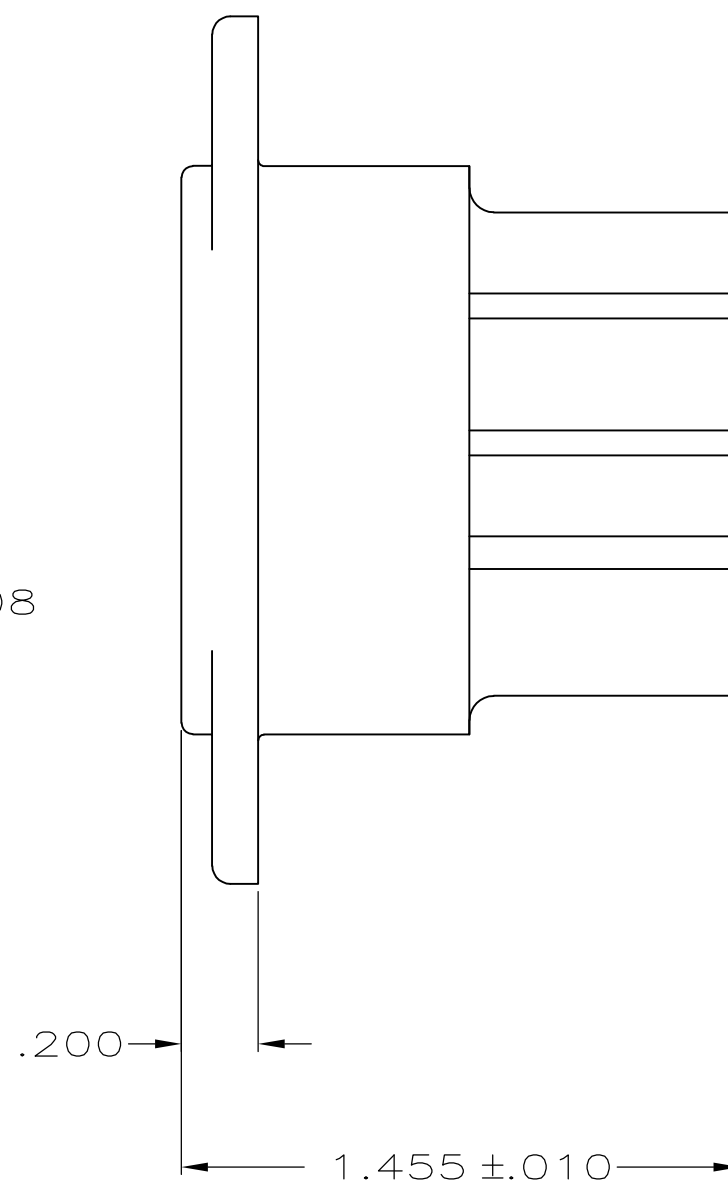
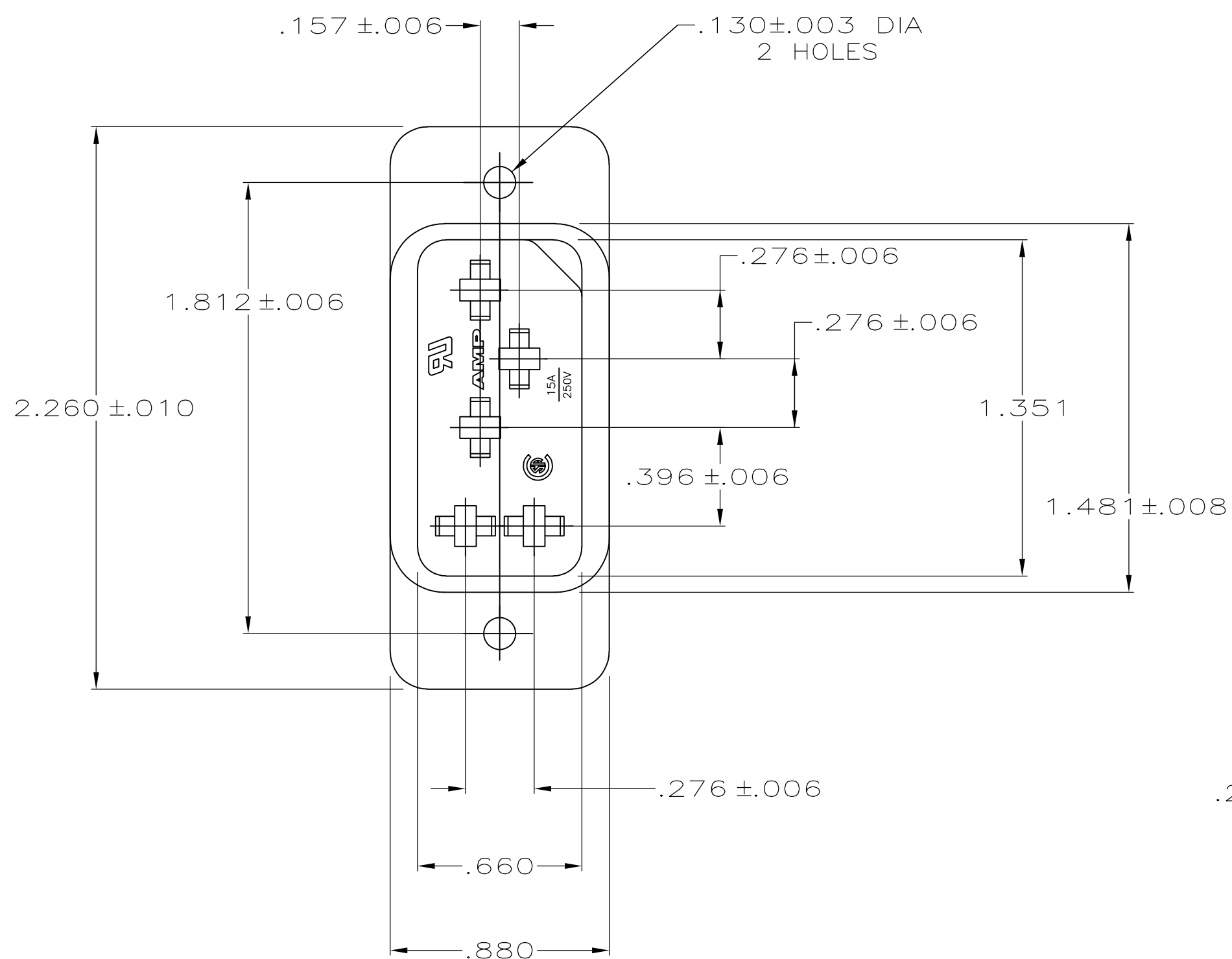


THIS DRAWING IS UNPUBLISHED. RELEASED FOR PUBLICATION
 © COPYRIGHT - By - ALL RIGHTS RESERVED.

LOC		DIST		REVISIONS			
P	LTR	DESCRIPTION		DATE	DWN	APVD	
BD	39	J1	REVISED PER ECO-11-004917		11MAR11	RK	HMR



RECOMMENDED PANEL OPENING

THIS DRAWING IS A CONTROLLED DOCUMENT.		DWN H MOLL	4-17-91	211395-1																			
DIMENSIONS: INCHES		CHK R.STONE	05/09/91	PART NO																			
TOLERANCES UNLESS OTHERWISE SPECIFIED:		APVD D.L.ROCKER	05/09/91	TE Connectivity																			
<table border="1"> <tr><td>0 PLC</td><td>±</td><td>-</td></tr> <tr><td>1 PLC</td><td>±</td><td>-</td></tr> <tr><td>2 PLC</td><td>±</td><td>-</td></tr> <tr><td>3 PLC</td><td>±</td><td>.005</td></tr> <tr><td>4 PLC</td><td>±</td><td>-</td></tr> <tr><td>ANGLES</td><td>±</td><td>-</td></tr> </table>		0 PLC	±	-	1 PLC	±	-	2 PLC	±	-	3 PLC	±	.005	4 PLC	±	-	ANGLES	±	-	PRODUCT SPEC	RECEPTACLE, 5 POSITION, POWER CORD		
0 PLC	±	-																					
1 PLC	±	-																					
2 PLC	±	-																					
3 PLC	±	.005																					
4 PLC	±	-																					
ANGLES	±	-																					
MATERIAL POLYESTER, UL 94V-0 RATED, GLASS FILLED, BLACK		FINISH	WEIGHT	SIZE A2	CAGE CODE 00779																		
		FINISH	WEIGHT	DRAWING NO C=211395	RESTRICTED TO																		
		FINISH	WEIGHT	SCALE 2:1	SHEET 1 of 1																		
		FINISH	WEIGHT	REV J1																			