

4

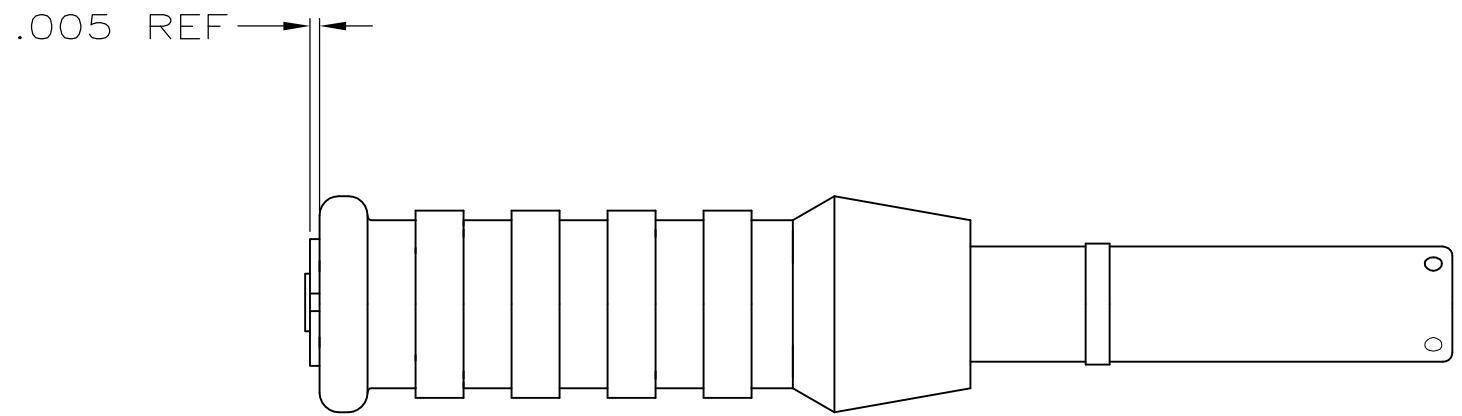
3

2


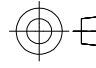
1

THIS DRAWING IS UNPUBLISHED. RELEASED FOR PUBLICATION - , - .
 © COPYRIGHT - By - ALL RIGHTS RESERVED.

LOC	DIST	REVISIONS					
CE	16	P	LTR	DESCRIPTION	DATE	DWN	APVD
			H1	REVISED PER ECO-11-005139	21MAR11	RK	HMR



OBSOLETE	228087-2
	228087-1
	PART NO.

THIS DRAWING IS A CONTROLLED DOCUMENT.		DWN	K.GLATFELTER	13NOV01	 TE Connectivity											
DIMENSIONS: mm [INCHES]		CHK	S.BUCHTER	28NOV01												
TOLERANCES UNLESS OTHERWISE SPECIFIED:		APVD	S.BUCHTER	28NOV01												
<table border="0"> <tr><td>0 PLC</td><td>± -</td></tr> <tr><td>1 PLC</td><td>± -</td></tr> <tr><td>2 PLC</td><td>± -</td></tr> <tr><td>3 PLC</td><td>± -</td></tr> <tr><td>4 PLC</td><td>± -</td></tr> <tr><td>ANGLES</td><td>± -</td></tr> </table>		0 PLC	± -	1 PLC		± -	2 PLC	± -	3 PLC	± -	4 PLC	± -	ANGLES	± -	PRODUCT SPEC	
0 PLC	± -															
1 PLC	± -															
2 PLC	± -															
3 PLC	± -															
4 PLC	± -															
ANGLES	± -															
		APPLICATION SPEC		SIMPLEX PLUG / RETAINER ASS'Y OPTIMATE D.N.P.												
MATERIAL	THERMOPLASTIC & BRASS	FINISH	-			RESTRICTED TO	-									
METRIC		CUSTOMER DRAWING		WEIGHT	-		SCALE	5:1	SHEET	1 OF 1	REV	H1				
				SIZE	A3	CAGE CODE	00779	DRAWING NO	C-228087							