

THIS DRAWING IS UNPUBLISHED. RELEASED FOR PUBLICATION  
 © COPYRIGHT - By - ALL RIGHTS RESERVED.

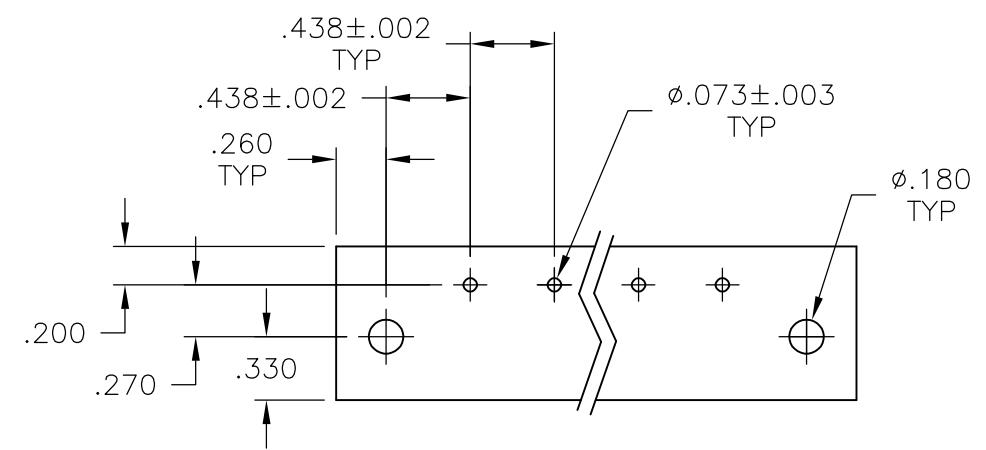
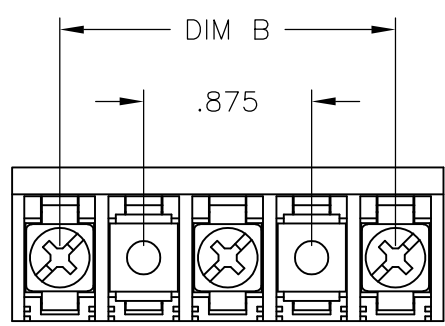
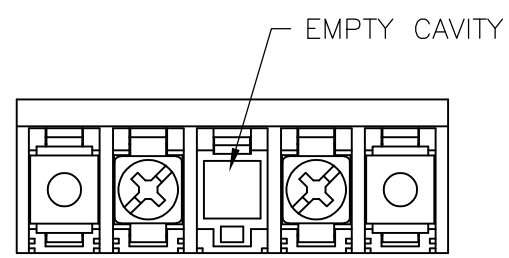
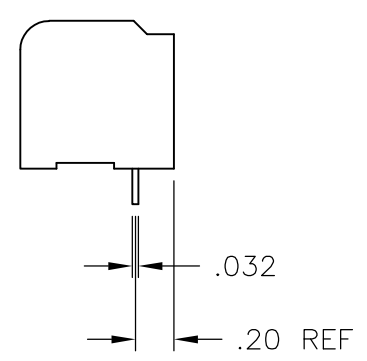
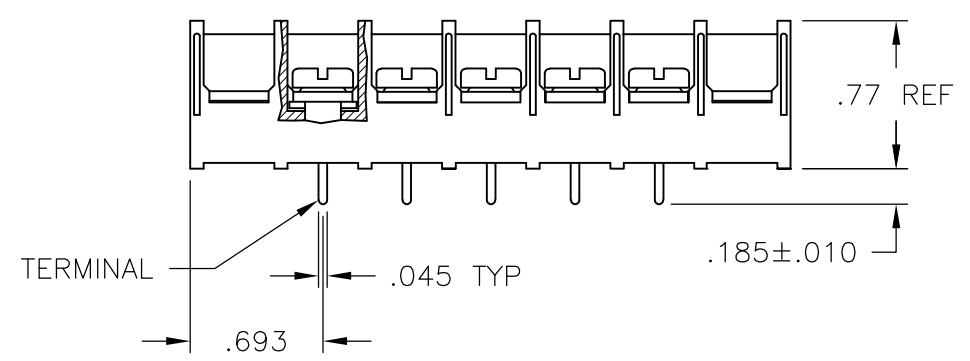
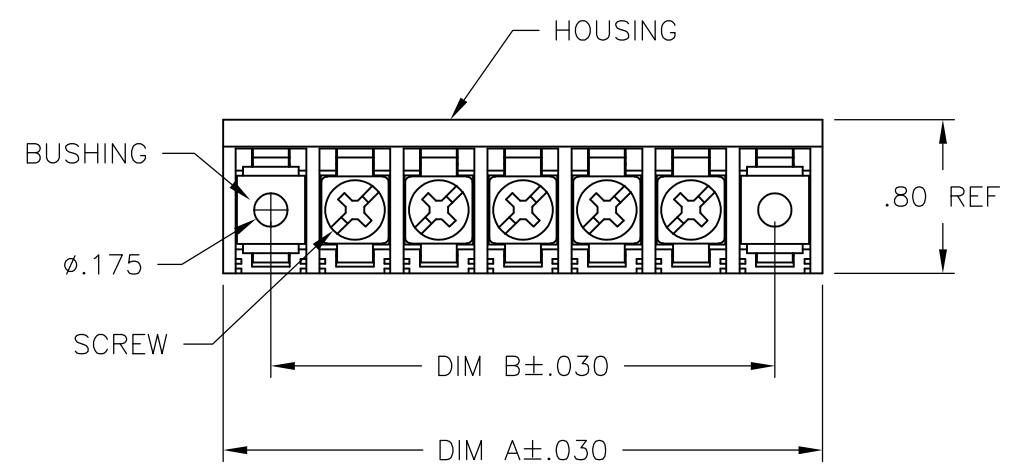
LOC	DIST	REVISIONS					
FT	0	P	LTR	DESCRIPTION	DATE	DWN	APVD
			F2	REVISED PER ECO-11-004820	11MAR11	RK	HMR

MATERIALS:  
 HOUSING: THERMOPLASTIC, UL94V-0, BLACK.  
 TERMINAL: COPPER ALLOY, PLATING  
 BRIGHT TIN OVER NICKEL.  
 SCREWS: 8-32 ZINC PLATED STEEL.

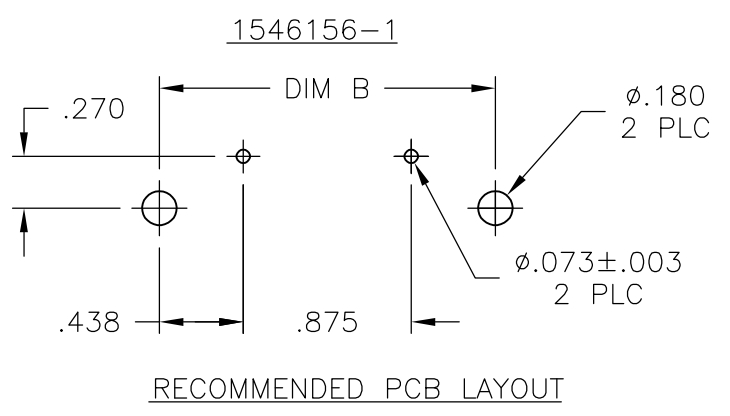
ELECTRICAL:  
 CURRENT RATING: 30A  
 VOLTAGE RATING: 600V  
 WIRE RANGE: 10-18 AWG (UL)  
 10-22 AWG (CSA)

MECHANICAL:  
 RECOMMENDED TORQUE: 20 IN-LB.  
 OPERATING TEMP.: -40°C TO +120°C.

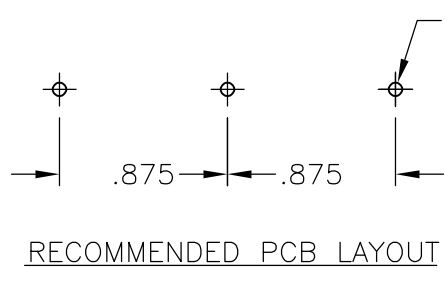
1 SCREWS TO BE BOTTOMED.



RECOMMENDED PCB LAYOUT



RECOMMENDED PCB LAYOUT



RECOMMENDED PCB LAYOUT

THIS DRAWING IS A CONTROLLED DOCUMENT.

DIMENSIONS: INCHES	TOLERANCES UNLESS OTHERWISE SPECIFIED:
	0 PLC ± -
	1 PLC ± -
	2 PLC ± .01
	3 PLC ± .005
	4 PLC ± -
	ANGLES ± 1°
MATERIAL	FINISH
-	-

DWN	S SCHLEGEL	2/25/03
CHK	H WAKEEM	2/25/03
APVD	H WAKEEM	2/25/03
PRODUCT SPEC	-	
APPLICATION SPEC	-	
WEIGHT	-	
CUSTOMER DRAWING		

TE Connectivity				NAME	
				8PCV-XX-008 ASSEMBLY	
SIZE	CAGE CODE	DRAWING NO	RESTRICTED TO		
A3	00779	C-7-1437657-1	-		
SCALE		SHEET	REV		
1:1		1 OF 2	F2		


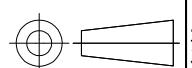
THIS DRAWING IS UNPUBLISHED. RELEASED FOR PUBLICATION  
 © COPYRIGHT - By - ALL RIGHTS RESERVED.

LOC	DIST	REVISIONS				
P	LTR	DESCRIPTION	DATE	DWN	APVD	
FT	0	-	SEE SHEET 1	-	-	

DIM B	DIM A	NO OF POS	CATALOG NUMBER	PART NO
8.312	8.822	18	8PCV-18-008	1-1546570-8
7.875	8.385	17	8PCV-17-008	1-1546570-7
7.437	7.947	16	8PCV-16-008	1-1546570-6
7.000	7.510	15	8PCV-15-008	1-1546570-5
6.562	7.072	14	8PCV-14-008	1-1546570-4
6.125	6.635	13	8PCV-13-008	1-1546570-3
5.687	6.197	12	8PCV-12-008	7-1546159-6
5.250	5.760	11	8PCV-11-008	1-1546570-1
4.812	5.322	10	8PCV-10-008	7-1546159-3
4.375	4.885	9	8PCV-09-008	3-796615-1
3.937	4.447	8	8PCV-08-008	2-796615-9
3.500	4.010	7	8PCV-07-008	3-796615-0
3.062	3.572	6	8PCV-06-008	1437658-2
2.625	3.135	5	8PCV-05-008	9-1437657-1
2.187	2.697	4	8PCV-04-008	8-1437657-1
1.750	2.260	3	8PCV-03-534	7-1437657-3
1.750	2.260	3	8PCV-03-008	7-1437657-1
1.312	1.822	2	8PCV-02-SPCL	1546156-1
1.312	1.822	2	8PCV-02-008	1-1437660-6

SEE FIGURE

SEE FIGURE

THIS DRAWING IS A CONTROLLED DOCUMENT.		DWN S SCHLEGEL 2/25/03	 TE Connectivity		
DIMENSIONS: INCHES		CHK H WAKEEM 2/25/03			
		APVD H WAKEEM 2/25/03	8PCV-XX-008 ASSEMBLY		
TOLERANCES UNLESS OTHERWISE SPECIFIED:		PRODUCT SPEC	SIZE		
0 PLC ± -	1 PLC ± -	APPLICATION SPEC	CAGE CODE	DRAWING NO	RESTRICTED TO
2 PLC ± .01	3 PLC ± .005	WEIGHT	A300779	C-7-1437657-1	-
4 PLC ± -	ANGLES ± 1°	MATERIAL	CUSTOMER DRAWING		
FINISH		SCALE 1:1		SHEET 2 OF 2	REV F2