

**MICRO SWITCH**

A DIVISION OF MINNEAPOLIS-HONEYWELL REGULATOR COMPANY  
 FREEPORT, MINNESOTA  
 FED. MFR. CODE 91929

**SWITCH - ENCLOSED**

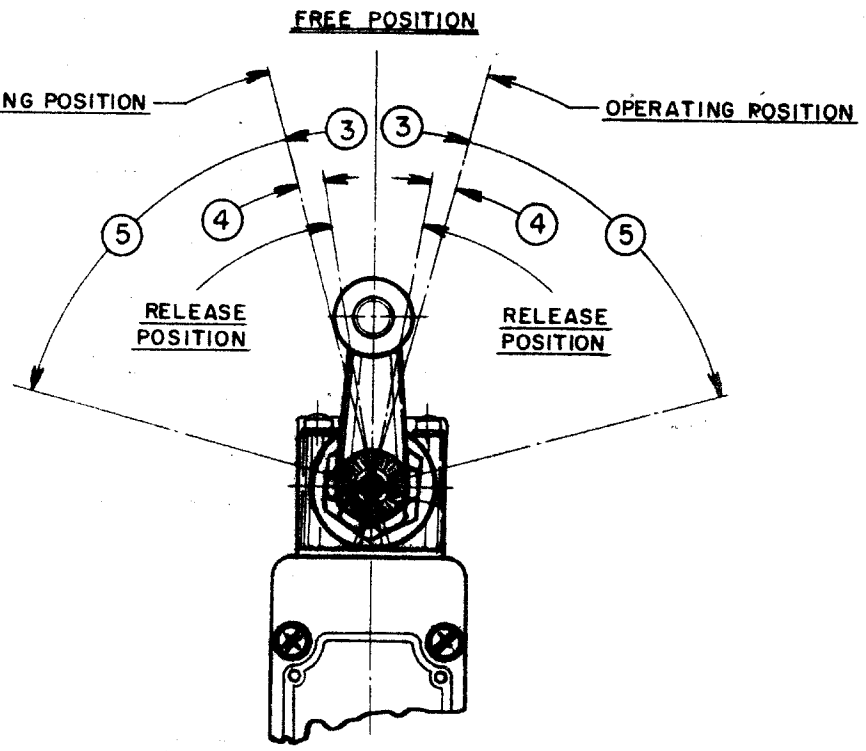
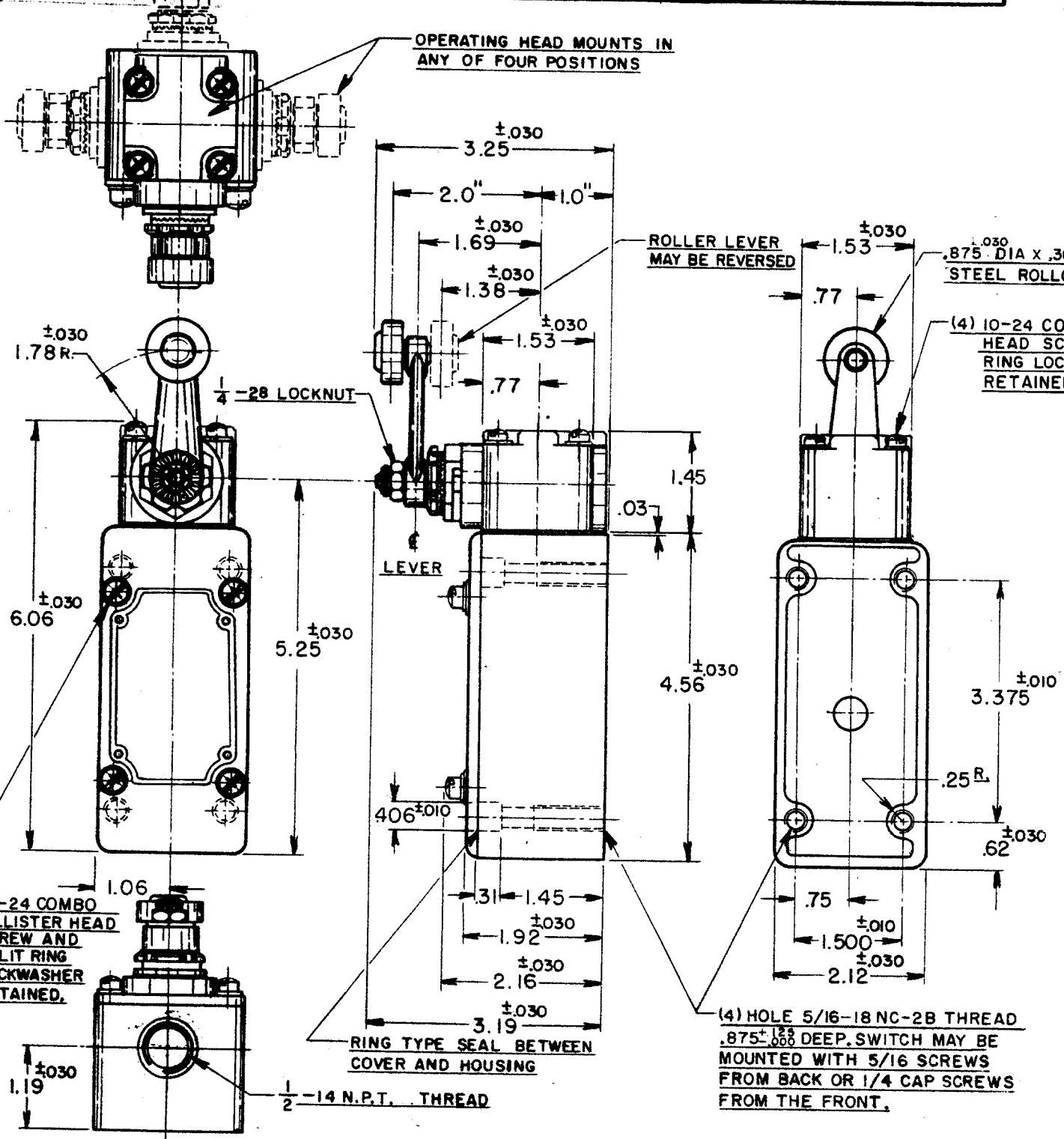
CATALOG LISTING

**51ML17**

THIS DRAWING COVERS A PROPRIETARY ITEM AND IS THE PROPERTY OF MICRO SWITCH, A DIVISION OF HONEYWELL. THIS DRAWING IS NOT TO BE COPIED OR USED WITHOUT THE APPROVAL OF MICRO SWITCH.



(M) 51ML17 ISSUE 1  
 51ML17  
 M  
 DRAWING NUMBER  
 X 8  
 X 8  
 ISSUE  
 REVISIONS  
 A CO10656 KFM 24 JUL 58  
 B CO11247 O.M.W. 5 MAR 58  
 C CO12841 H.B.W. 20 JAN 65  
 D CO20578 M.B.F. DEC 65  
 E CO52194-D R.F. 23 SEPT 83  
 F CO55051-B J.A.P. 17 DEC 84  
 G CO74287 G.J.W. 17 APR 93  
 R. G. C. 4, FEB. '56  
 74-843



- NOTES
- 1 SWITCH IS ASSEMBLED FOR ACTUATION IN EITHER DIRECTION TO CONVERT SWITCH FOR ACTUATION EITHER CLOCKWISE OR COUNTER-CLOCKWISE DIRECTION ONLY, REMOVE THE HEAD AND SLIDE THE CAM TOWARD THE REAR OF THE HEAD SUFFICIENTLY TO DISENGAGE FROM THE FLATS ON THE SHAFT. ROTATE THE CAM 90° IN THE OPPOSITE DIRECTION OF THE ACTUATION DESIRED AND RE-ENGAGE THE CAM WITH THE FLATS ON THE SHAFT
  - 2
  - 3 - LEVER MAY BE POSITIVELY LOCKED AT INTERVALS OF APPROX 0.4° (870 POSITIONS)
  - 4 - LEVER MAY BE ADJUSTED TO ACTUATE THE SWITCH IN THE CLOCKWISE DIRECTION ONLY, THE COUNTER-CLOCKWISE DIRECTION ONLY OR IN BOTH DIRECTIONS 1 2
  - 5 - IT IS ESSENTIAL TO PREVENT ENTRANCE OF HARMFUL AGENTS THRU THE CONDUIT OPENING TO OBTAIN THE FULL BENEFIT OF THE SEALED CONSTRUCTION PROVIDED IN THIS UNIT
  - 6 - MECHANICAL LIFE WILL BE 100,000 OPERATIONS MINIMUM

<b>CHARACTERISTICS</b>		<b>ELECTRICAL DATA</b>		<b>SCALE 1/2 TO 1</b>	
OPERATING FORCE-----3 LBS. MAX.		CONTACT ARRANGEMENT		DO NOT SCALE PRINT	
FULL OVERTRAVEL FORCE---4 LBS. MAX.		S. P. D. T.		UNLESS OTHERWISE SPECIFIED DIMENSIONS ARE IN INCHES	
PRETRAVEL-----③ 12° MAX.				<b>TOLERANCES ARE:</b>	
DIFFERENTIAL TRAVEL---④ 4° MAX.				ONE PLACE (.0) ±.030	
OVERTRAVEL-----⑤ 60° MIN.				TWO PLACE (.00) ±.015	
SWITCH-BASIC REPLACEMENT				THREE PLACE (.000) ±.005	
MT-4RI-A68				ANGLES ±	
				WEIGHT	