

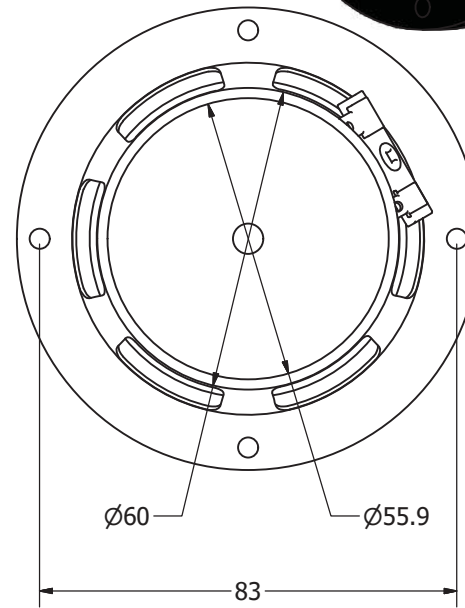
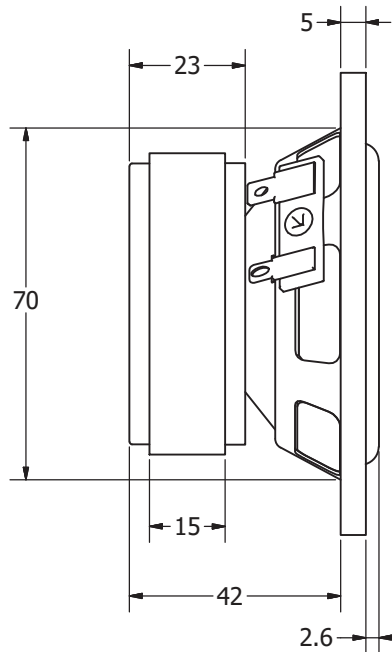
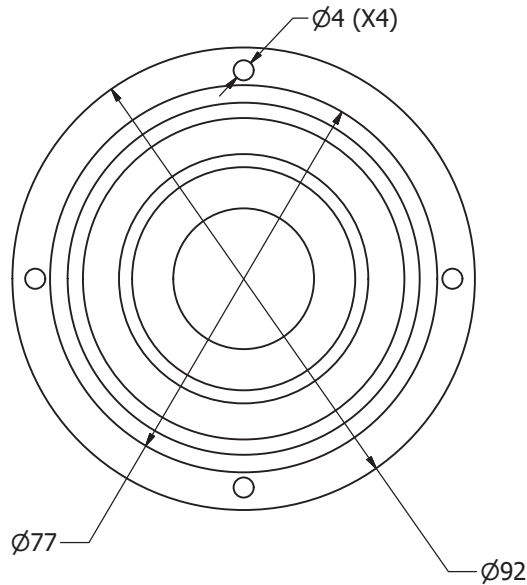
SPECIFICATIONS

PARAMETERS	VALUES	UNITS
RATED INPUT POWER	10	W
MAX INPUT POWER	15	W
IMPEDANCE	8± 15%	OHM
OUTPUT SPL @ 2.83V/1M	82 ± 3	dBA
RESONANT FREQUENCY	90 ± 20%	Hz
FREQUENCY RANGE	90 ~ 15,000	Hz
FRAME MATERIAL	STAMPED STEEL	-
CONE MATERIAL	ALUMINUM	-
MAGNET MATERIAL	FERRITE	-
OPERATING TEMPERATURE	-20~ +60	°C
WEIGHT	360	grams

THIS DOCUMENT CONTAINS DATA PROPRIETARY TO PROJECTS UNLIMITED, INC. ANY USE OR REPRODUCTION, IN ANY FORM, WITHOUT PRIOR WRITTEN PERMISSION OF PROJECTS UNLIMITED, INC. IS PROHIBITED.
©2003, Projects Unlimited Inc.


REVISION HISTORY

LTR	DESCRIPTION	DATE	APPROVED
-	RELEASED FROM ENGINEERING	7/27/2016	



NOTES:

1. ALL DIMENSIONS ARE IN MILLIMETERS.
2. SPECIFICATIONS SUBJECT TO CHANGE OR WITHDRAWAL WITHOUT NOTICE.
3. THIS PART IS RoHS 2011/65/EU COMPLIANT.

UNLESS OTHERWISE SPECIFIED: DIMENSIONS ARE IN MILLIMETERS. TOLERANCES ARE ±0.5 AND ANGLES ARE ±3°.	SIZE A3	Designed by	Date	Checked by	Date	Approved by	Date	Drawn Date
		M.V.	7/27/2016	B.R.	7/27/2016	B.R.	7/27/2016	7/27/2016
		AS09208AR-R.idw		 pui audio a projects unlimited company		AS09208AR-R Speaker		Edition
						-	1 / 1	

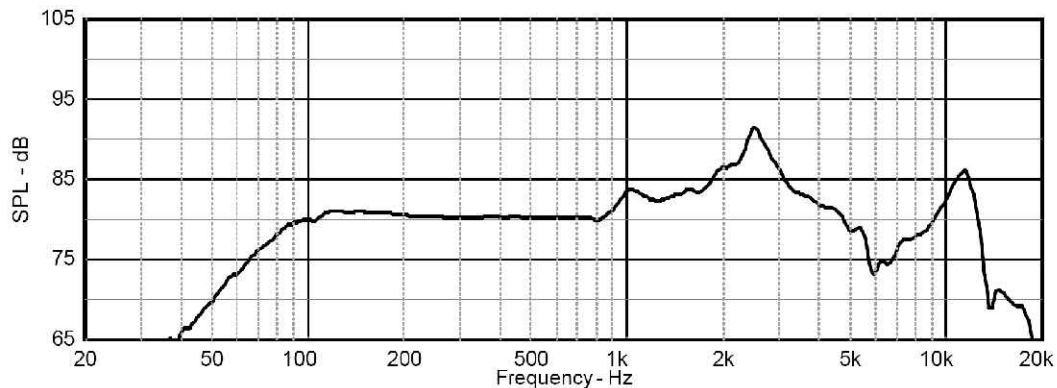
THIS DOCUMENT CONTAINS DATA PROPRIETARY TO PROJECTS UNLIMITED, INC. ANY USE OR REPRODUCTION, IN ANY FORM, WITHOUT PRIOR WRITTEN PERMISSION OF PROJECTS UNLIMITED, INC. IS PROHIBITED.
© 2005, Projects Unlimited Inc.

THIELE/SMALL PARAMETERS

PARAMETERS	VALUES
DC RESISTANCE (Re)	6.4 OHMS
INDUCTANCE (Le) @ 1kHz	0.66 mH
MAXIMUM IMPEDANCE (Zm)	32.9 OHMS
MECHANICAL Q FACTOR (Qms)	3.80
ELECTRICAL Q FACTOR (Qes)	0.92
TOTAL Q FACTOR (Qts)	0.74
EQUIVALENT AIR VOLUME (Vas)	1.0 LITER
VOICE COIL DIAMETER	20.4 mm
XMAX ((VOICE COIL HEIGHT - GAP)/2)	2.5 mm
XMECH (MAXIMUM EXCURSION BEFORE DAMAGE)	4 mm
RECOMMENDED SEALED ENCLOSURE VOLUME RANGE	0.25~4.5 LITERS
RECOMMENDED PORTED VOLUME AND TUNING FREQUENCY FOR FLAT RESPONSE AND LOWEST FREQUENCY EXTENSION	3L, 60 Hz (-3 dB) 52 Hz



REVISIONS			
LTR	DESCRIPTION	DATE	APPROVED
-	RELEASED FROM ENGINEERING	7/27/16	



- Designed for high fidelity full range response
- Purpose-built to work in a wide range of enclosures
- Reinforced mounting flange with integrated gasket
- Vented pole piece improves "chuffing", power compression, and voice coil cooling
- Carefully selected components for maximum reliability and weather resistance

<small>UNLESS OTHERWISE SPECIFIED: ALL PURCHASES ARE SUBJECT TO THE PUI AUDIO TERMS AND CONDITIONS SALE FOUND AT http://www.puiaudio.com/pdf/terms_conditions.pdf (paper copy available upon request). DIMENSIONS ARE IN MILLIMETERS.TOLERANCES ARE ±0.5 AND ANGLES ARE ±3°.</small>			3541 Stop Eight Road Dayton, Ohio 45414
APPROVALS DATE			
DRAWN	M. V.	7/16	SPEAKER DRAWING NO. AS09208AR-R TS PARAMETERS
CHECKED	M. V.	7/16	
APPROVED	B. R.	7/16	
SIZE		A	SCALE: N.T.S.
			SHEET 1 OF 1