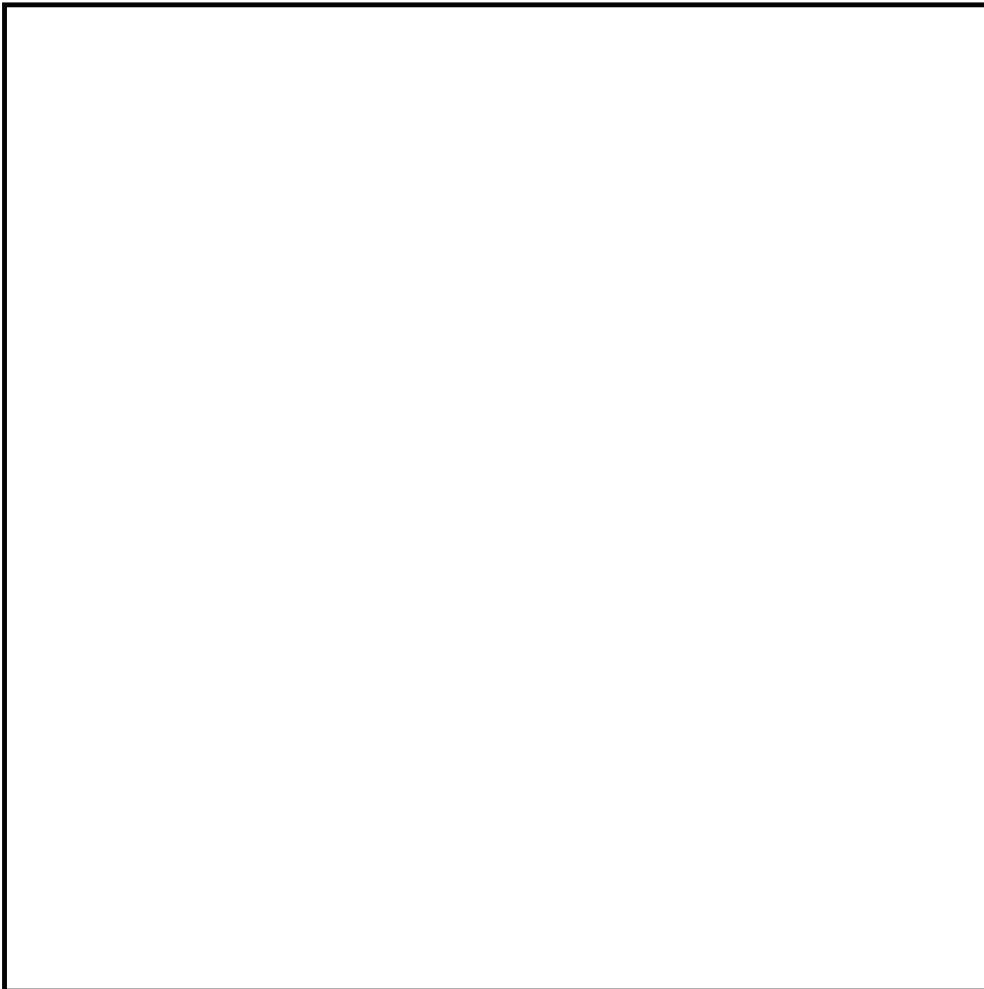


BAE SA-OH-039-PP-DV02  
Bestellcode: BAE00NL

## 3D-View



[Link](#) Balluff Webseite

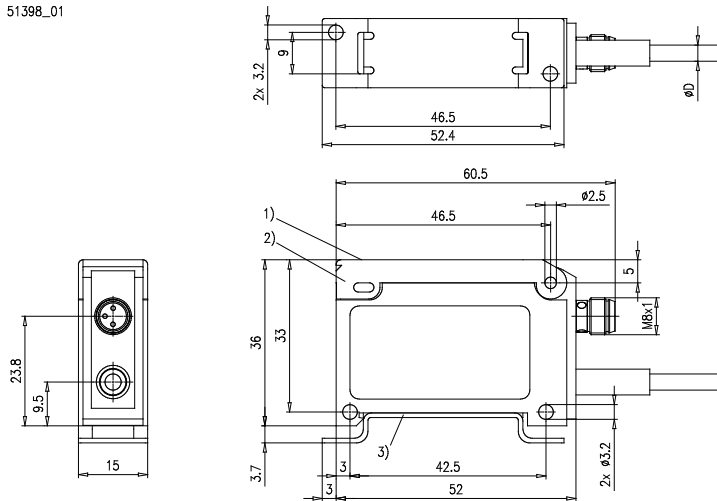
BAE SA-OH-039-PP-DV02  
Bestellcode: BAE00NL

# BALLUFF

## Dimension

## E-PLAN

51398\_01



<b>Availability</b>	Available
<b>Order code</b>	BAE00NL
<b>Product identifier</b>	BAE SA-OH-039-PP-DV02
<b>Product view</b>	51398_01
<b>IO Device Description</b>	
<b>Weight</b>	72 g
<b>Customs number</b>	85437090
<b>Dimensions</b>	15 x 36 x 61 mm
<b>Mounting</b>	screw M3;DIN rail 35 mm
<b>Special application areas</b>	Narrow installation space.
<b>Housing material</b>	ABS
<b>Approval/Conformity</b>	CE;EAC;WEEE
<b>Product group</b>	Amplifiers for sensor heads
<b>Protection degree</b>	IP65
<b>Manual DE</b>	<a href="https://assets.balluff.com/WebBinary1/MAN_BAE_SA_OH_035_039_PREMIUM_DE_EN_L14_DRW_913948_02_000.pdf">https://assets.balluff.com/WebBinary1/MAN_BAE_SA_OH_035_039_PREMIUM_DE_EN_L14_DRW_913948_02_000.pdf</a>
<b>Manual EN</b>	<a href="https://assets.balluff.com/WebBinary1/MAN_BAE_SA_OH_035_039_PREMIUM_DE_EN_L14_DRW_913948_02_000.pdf">https://assets.balluff.com/WebBinary1/MAN_BAE_SA_OH_035_039_PREMIUM_DE_EN_L14_DRW_913948_02_000.pdf</a>