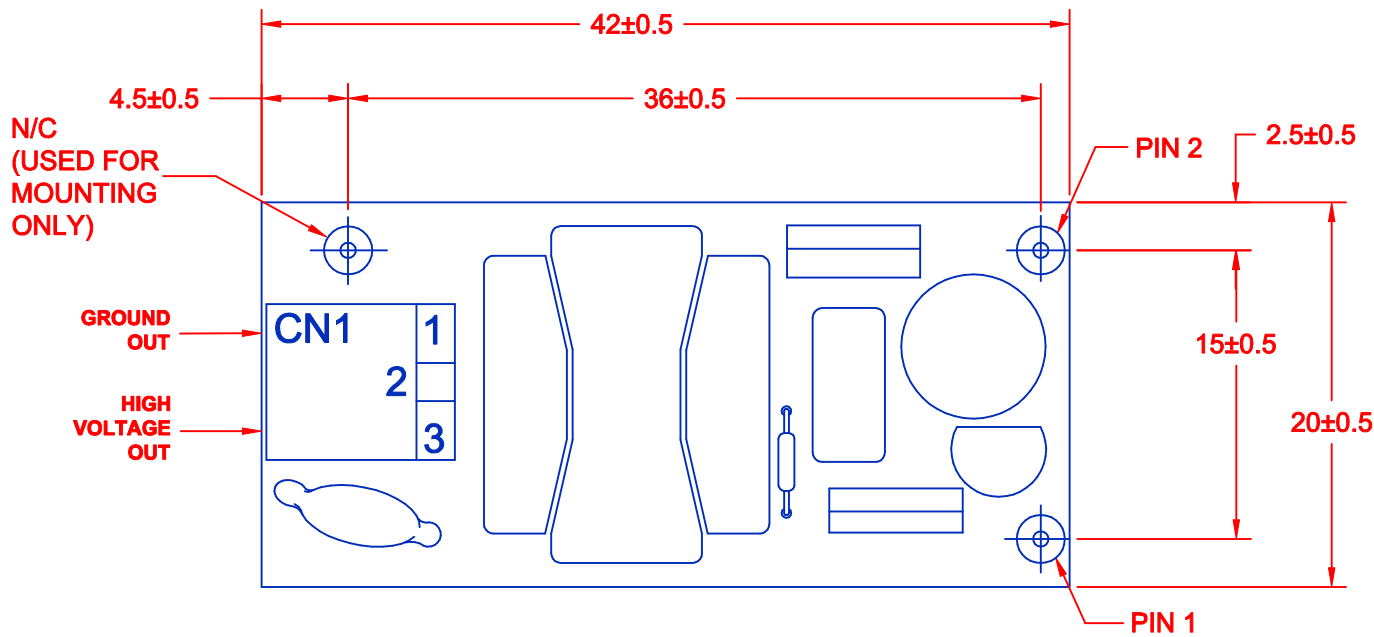
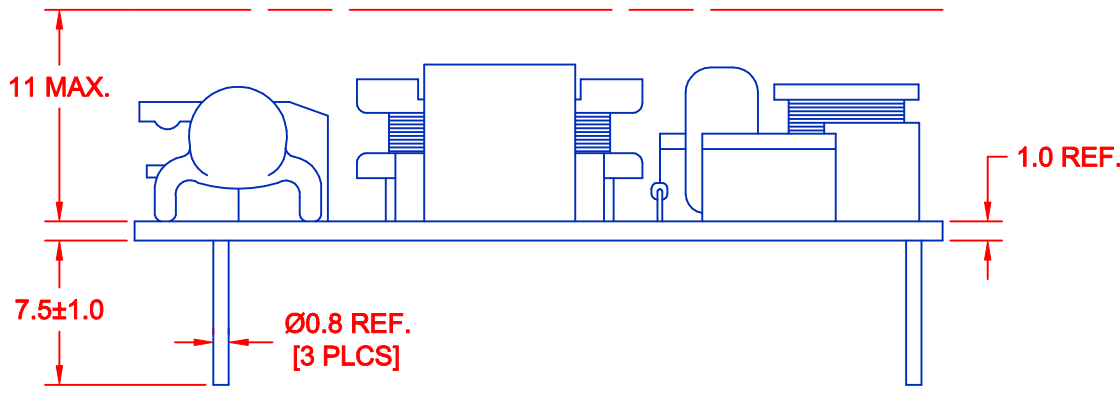


REV.	DESCRIPTION/ECO NO.	DATE
	RELEASE & CANCEL	1/28/03
	BXA-501/KIT & BXA-501/INV	



NOTE:
MATING CONNECTOR IS NOT INCLUDED WITH INVERTER. JKL WIRE HARNESS PART NO. BXC-10566 CAN BE ORDERED SEPARATELY.



CN1 PIN #	TO LAMP
1	OUT GROUND
2	N/C
3	HIGH V

BOARD PIN #	INPUT
1	+V (V in)
2	V (GND)

CHARACTERISTICS	MIN	TYP	MAX
INPUT VOLTAGE: (vdc)	4.5	5.0	5.5
INPUT CURRENT: (mA)	---	200	400
OUTPUT VOLTAGE: (Vrms)	600	700	800
OUTPUT CURRENT (maRms)	4.0	5.0	6.0
OUTPUT FREQUENCY: (kHz)	30	45	60
OPERATING TEMP: (CELSIUS)	0	25	50

 THIRD ANGLE PROJECTION	DIMENSIONS ARE IN MILLIMETERS TOLERANCE UNLESS OTHERWISE SPECIFIED 1 PL +/- 0.3 2 PL +/- 0.5 ANGLE +/- 0	JKL COMPONENTS CORPORATION			
	TITLE CCFL POWER SUPPLY				
DRAWN BY L. WENGSTROM	APP'VD BY F.D.	DATE 1/28/03	SIZE A	FSCM NO. 55335	DRAWING NO. BXA-501
- CAD DRAWING - MANUAL REVISIONS NOT PERMITTED			SCALE NONE	RELEASED DATE 1/28/03	REVISION DATE
				REV. NO.	SHEET OF