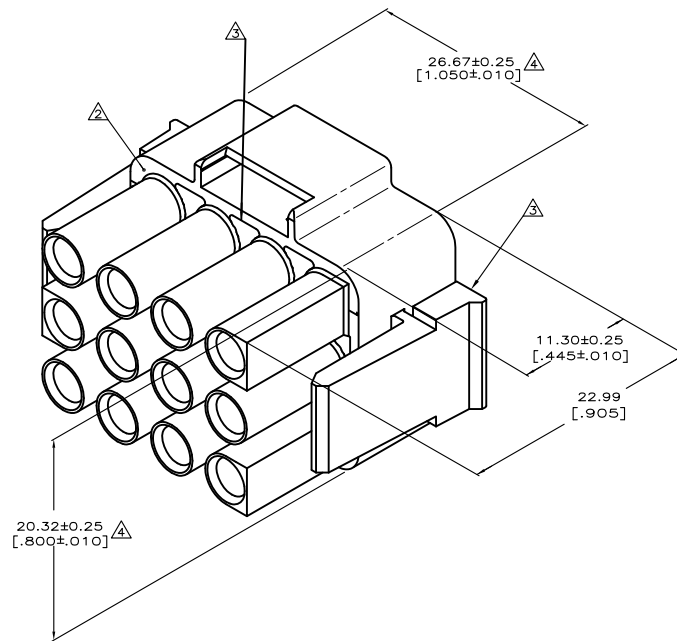


THIS DRAWING IS UNPUBLISHED. RELEASED FOR PRODUCTION
 © 2017 STI - TE Connectivity ALL RIGHTS RESERVED

REVISIONS			
REV	DATE	BY	APPD
G1	REV.ECO 17-011267	HC	KR

- MUST BE ASSEMBLED WITH PLUG REAR P/N 770042-1 BEFORE MATING. KIT P/N IS 770022-1.
- AMP LOGO LOCATED THIS SURFACE.
- NEW MOLD CONSTRUCTION PROVIDES MATERIAL REDUCTION CORING AT BASE OF SILOS WITH NO CORING AS OPTIONAL.
- DIMENSION INDICATED IS AS MOLDED. ADDITIONAL GROWTH DUE TO SUBSEQUENT MOISTURE ABSORPTION MAY OCCUR.
- DIMENSIONS IN BRACKETS ARE IN INCHES.
- CSA LOGO LOCATED APPROXIMATELY AS SHOWN



770041-1
 PART NUMBER



THIS DRAWING IS A CONTROLLED DOCUMENT.		BY: K. SALMON 1-18-02	TE Connectivity
DIMENSIONS: INCHES		DR: P. SWING 1-18-02	
NOTES:		APP: W. TRULL 1-18-02	NAME: PLUG FRONT, 12 CIRCUIT, UNIVERSAL MATE-N-LOK™ II
NO DIMENSIONS OR DIMENSIONS IN PARENTHESES		PRODUCT SPEC: --	SIZE: A1
APPLICATION SPEC: --		FINISH: --	CAGE CODE: 000779
MATERIAL: NYLONUL94-0		MOULD: --	DRAWING NO: 770041
CUSTOMER DRAWING		SCALE: 5:1	SHEET: 1 OF 1